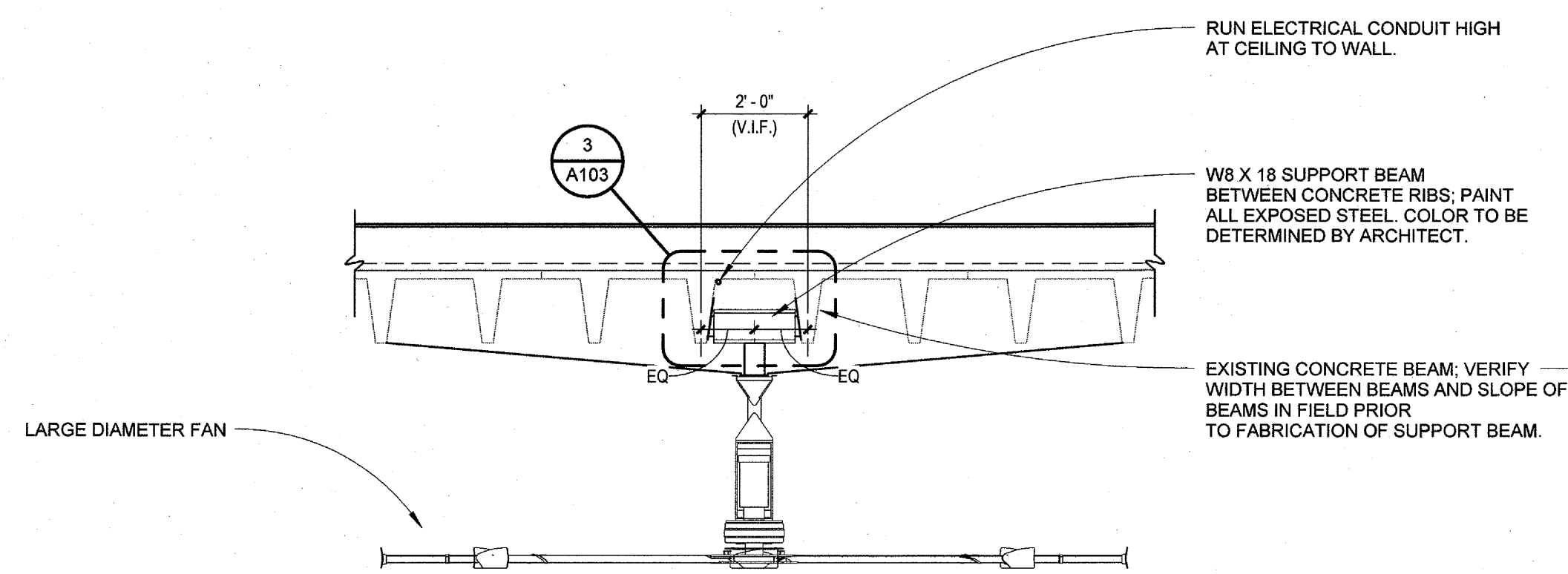
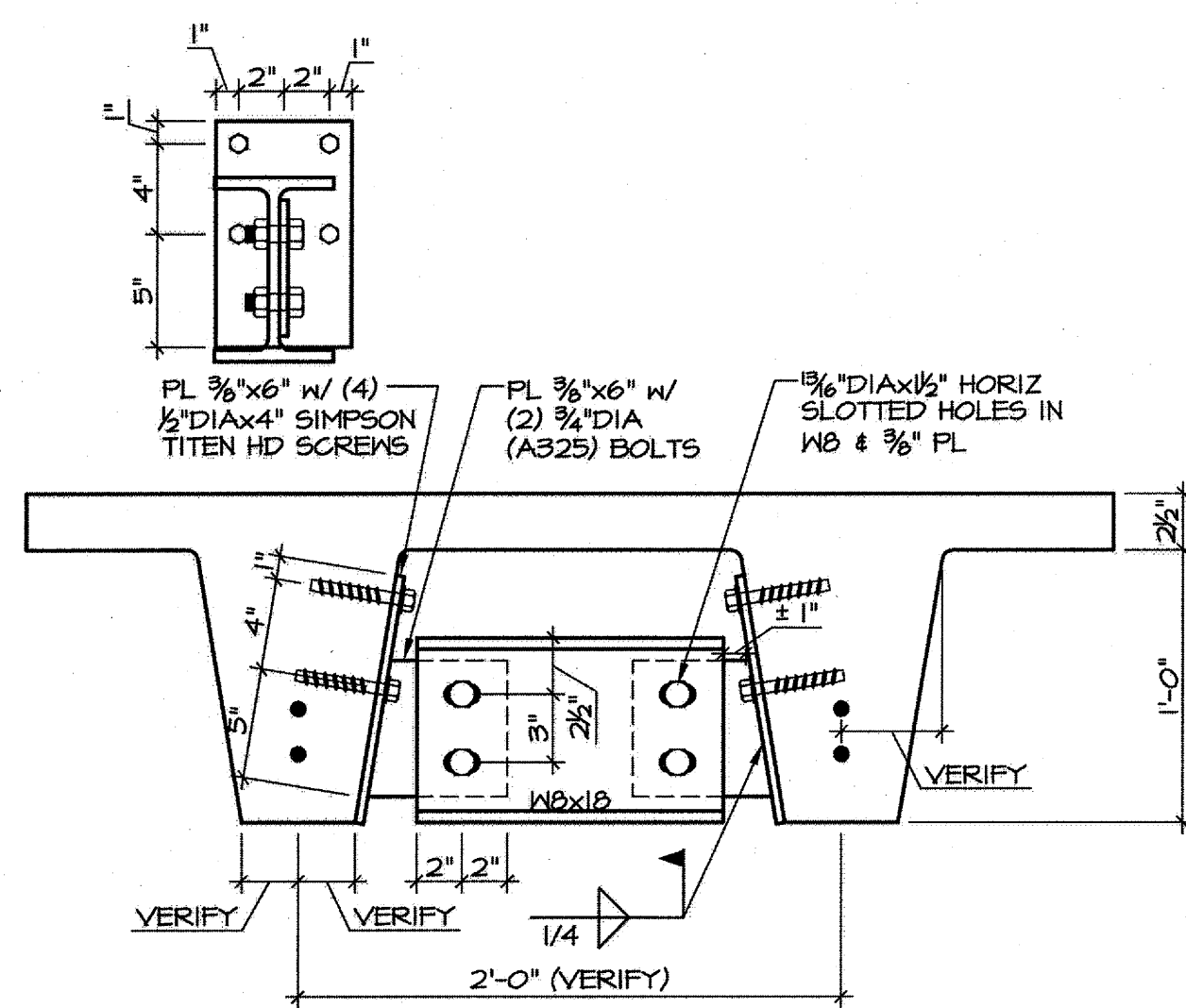


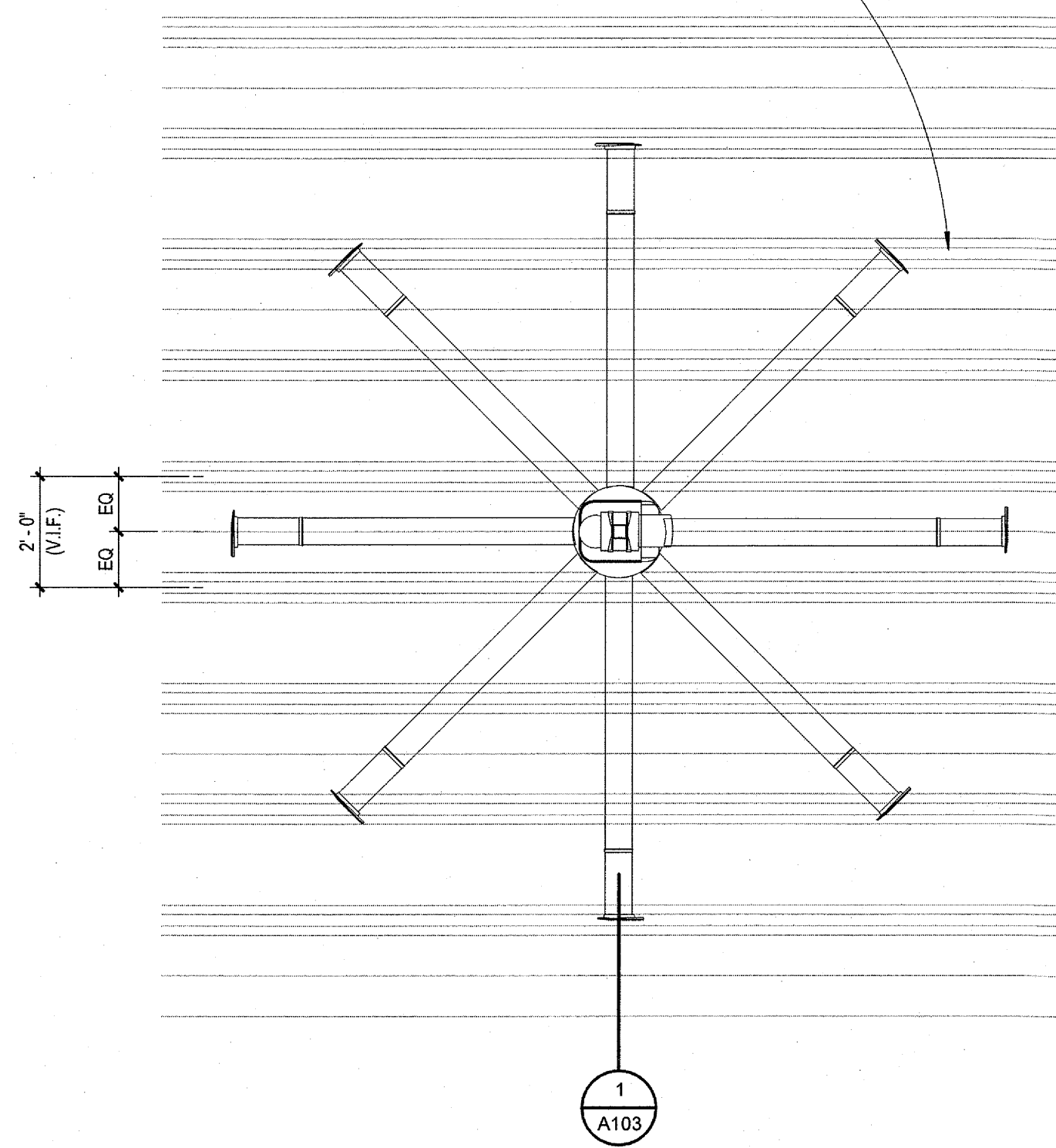
1 section
SCALE: 1/8" = 1'-0"



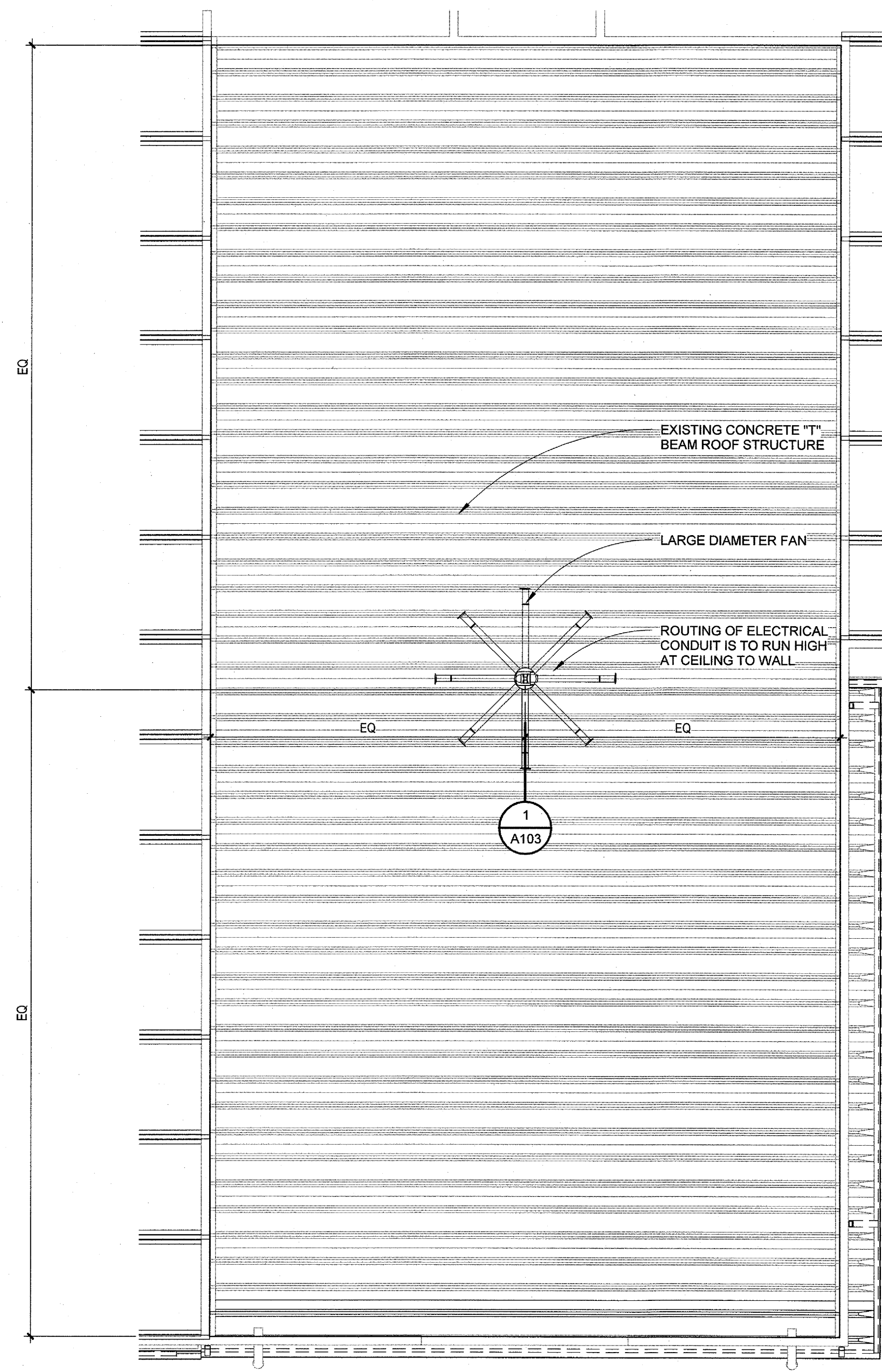
2 fan support detail
SCALE: 3/8" = 1'-0"



3 fan anchor detail
SCALE: 1 1/2" = 1'-0"



enlarged ceiling plan
SCALE: 3/8" = 1'-0"



reflected ceiling plan
SCALE: 1/8" = 1'-0"

FAN ELECTRICAL NOTES

1. PROVIDE A NEW 30A/2P CIRCUIT BREAKER IN EXISTING ELECTRICAL PANEL IN ARMORY TO POWER NEW FAN. CIRCUITING SHALL BE 3/4"C-2#10, 1#10(G) FROM THE ELECTRICAL PANEL TO A NEW L6-30R TWIST LOCK RECEPTACLE LOCATED ABOVE THE FAN. FAN COMES PRE-WIRED WITH AN L6-30P TWIST-LOCK PLUG FOR POWER CONNECTION. LOCATE WALL MOUNTED AUXILIARY FAN CONTROLLER WITHIN 150 FT. OF FAN PER OWNER DIRECTION. INSTALL 3/4" CONDUIT FROM FAN TO WALL MOUNTED CONTROLLER FOR CONTROL WIRING PROVIDED WITH FAN.
2. PAINT CONDUIT TO MATCH CEILING AND WALL COLOR; COLOR TO BE APPROVED BY ARCHITECT.

Revision Schedule			
Issued	Rev. Date	Rev. Description	Rev. By
1	07/18/2016	ISSUED FOR PERMITS	JK
2	07/18/2016	REVISIONS PER DBA REVIEW COMMENTS	JK



Commission Number
10216
ABA# - 9751644
A103
Date: July 18, 2016

RE-ROOF FOR:
BEEBE READINESS CENTER
Beebe, Arkansas

BRACKET KRENNERICH
architects