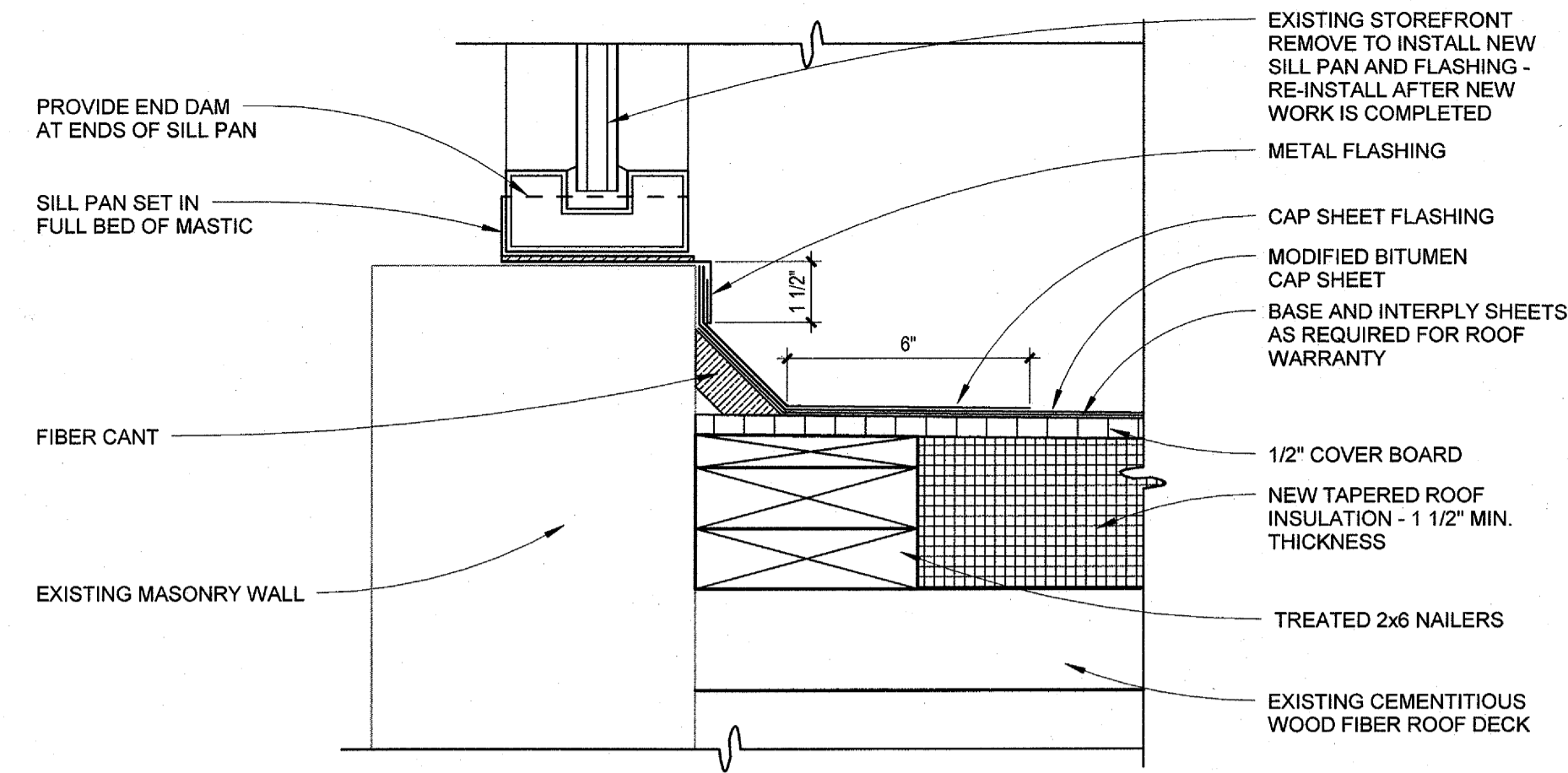
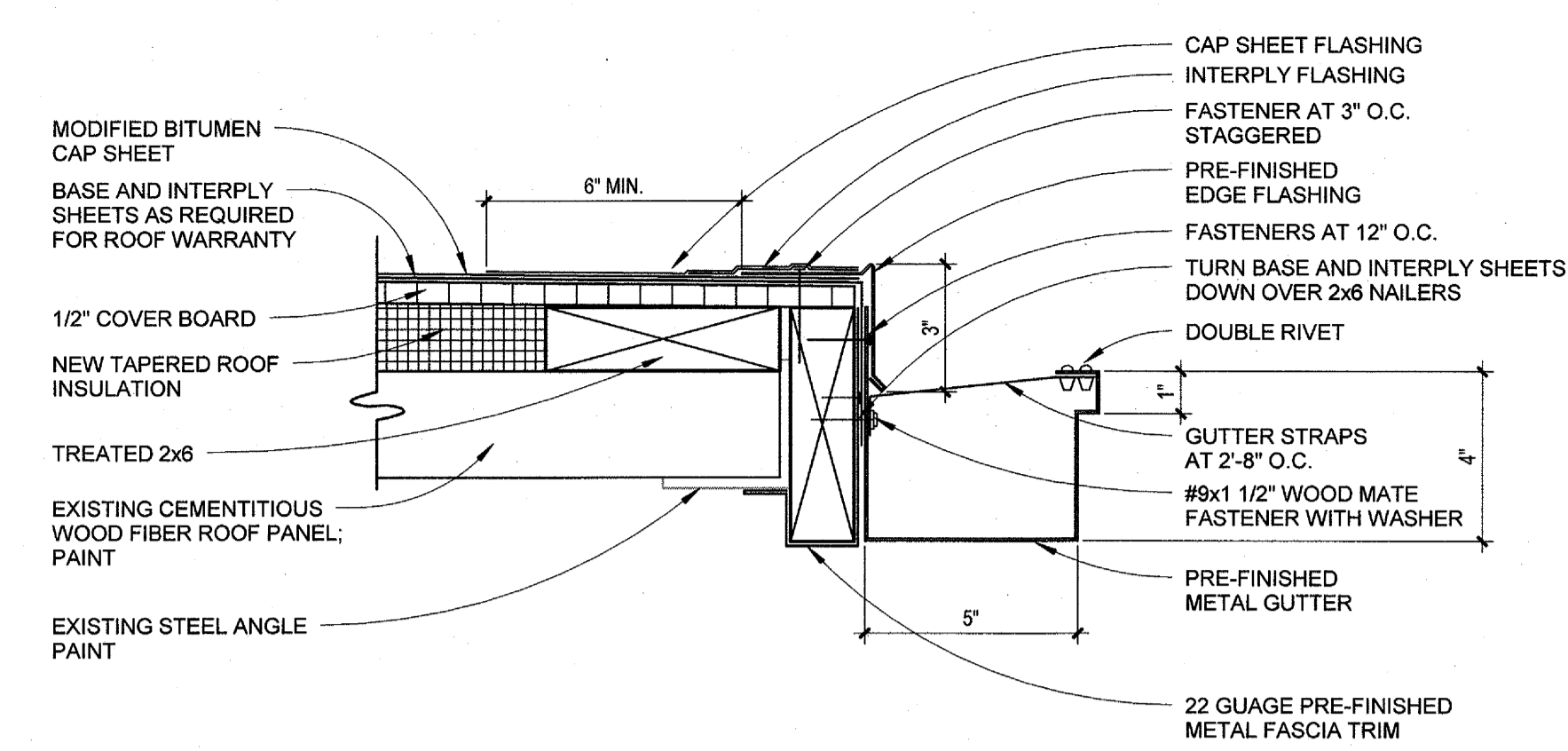


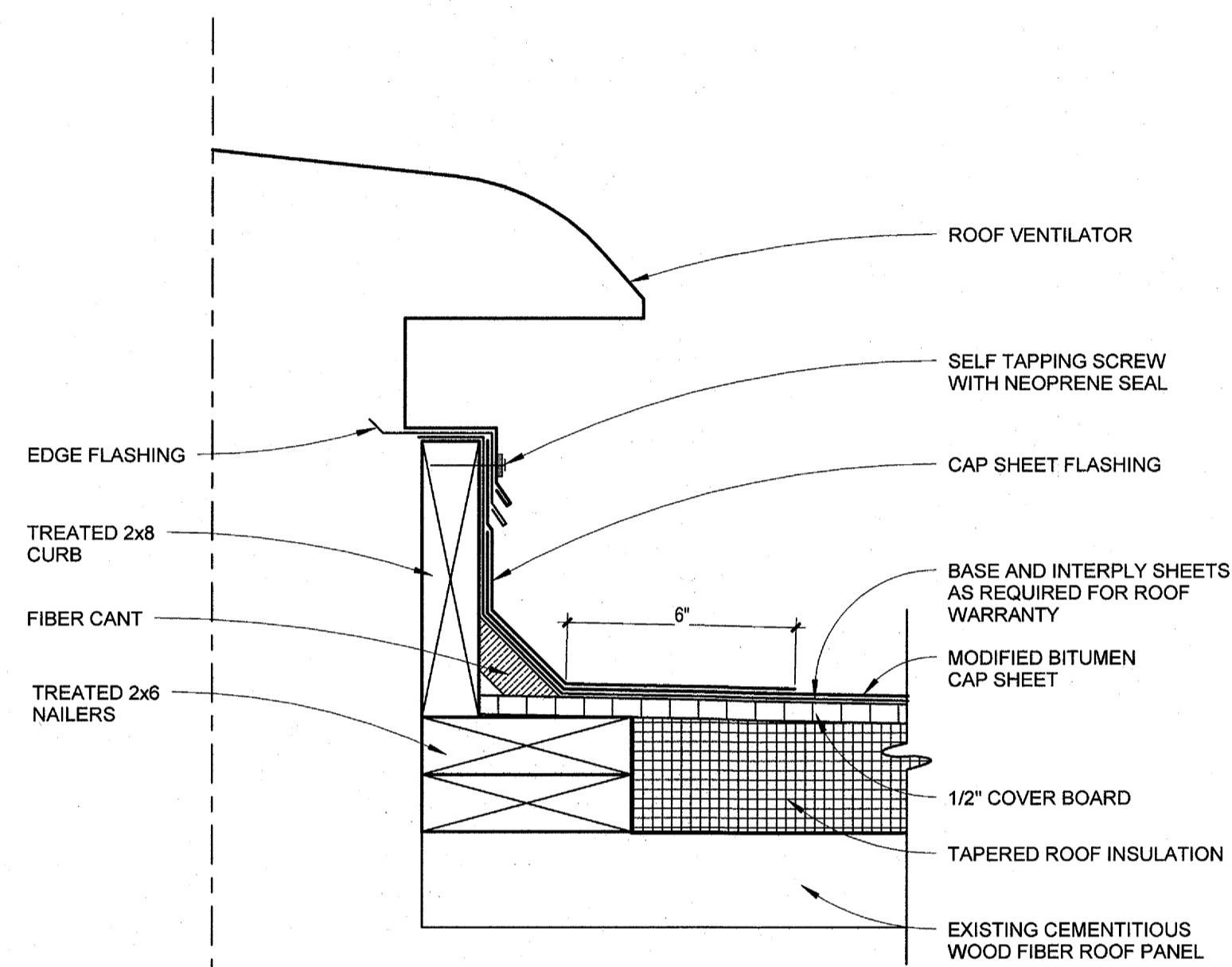
7 vent through roof detail
SCALE: 3" = 1'-0"



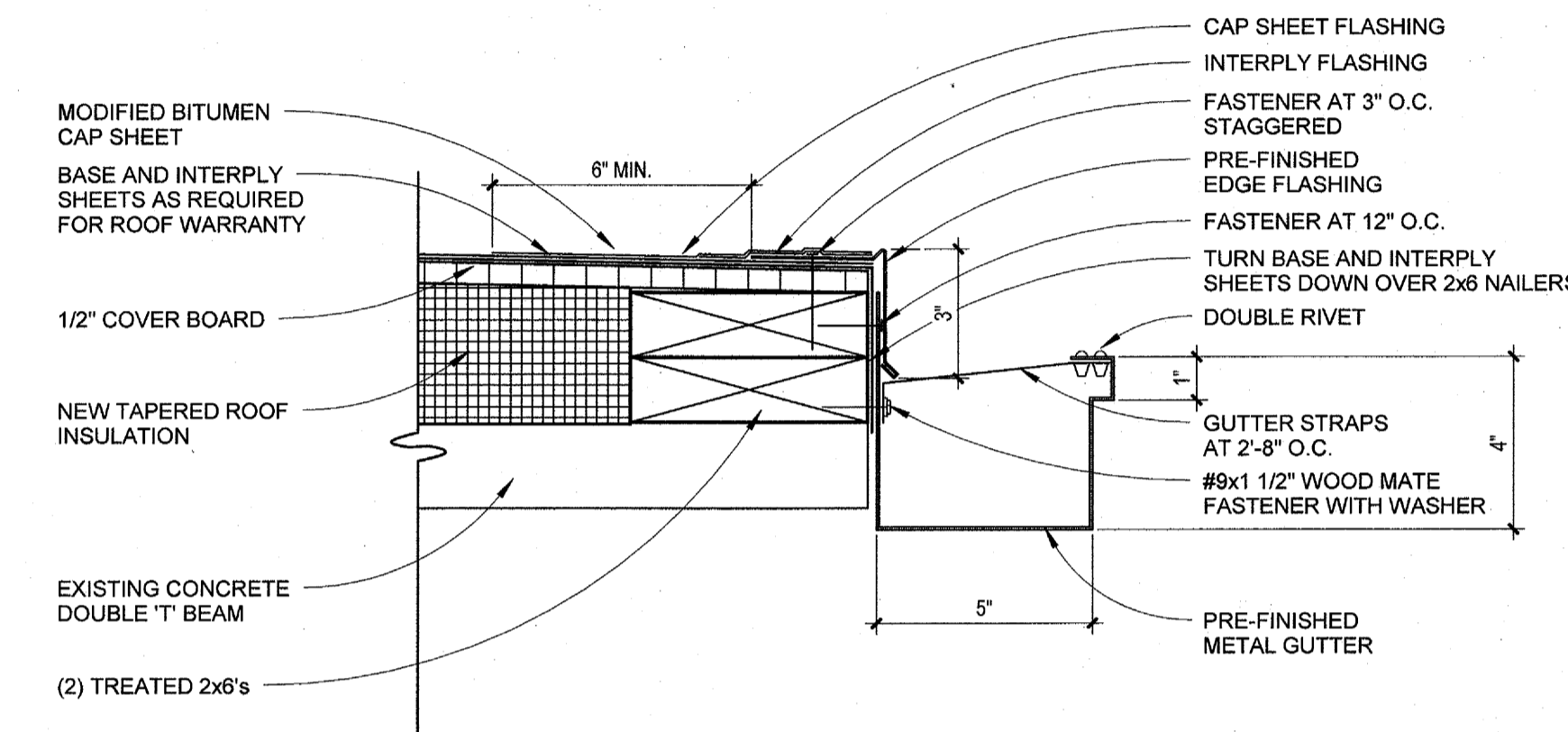
4 flashing detail at storefront
SCALE: 3" = 1'-0"



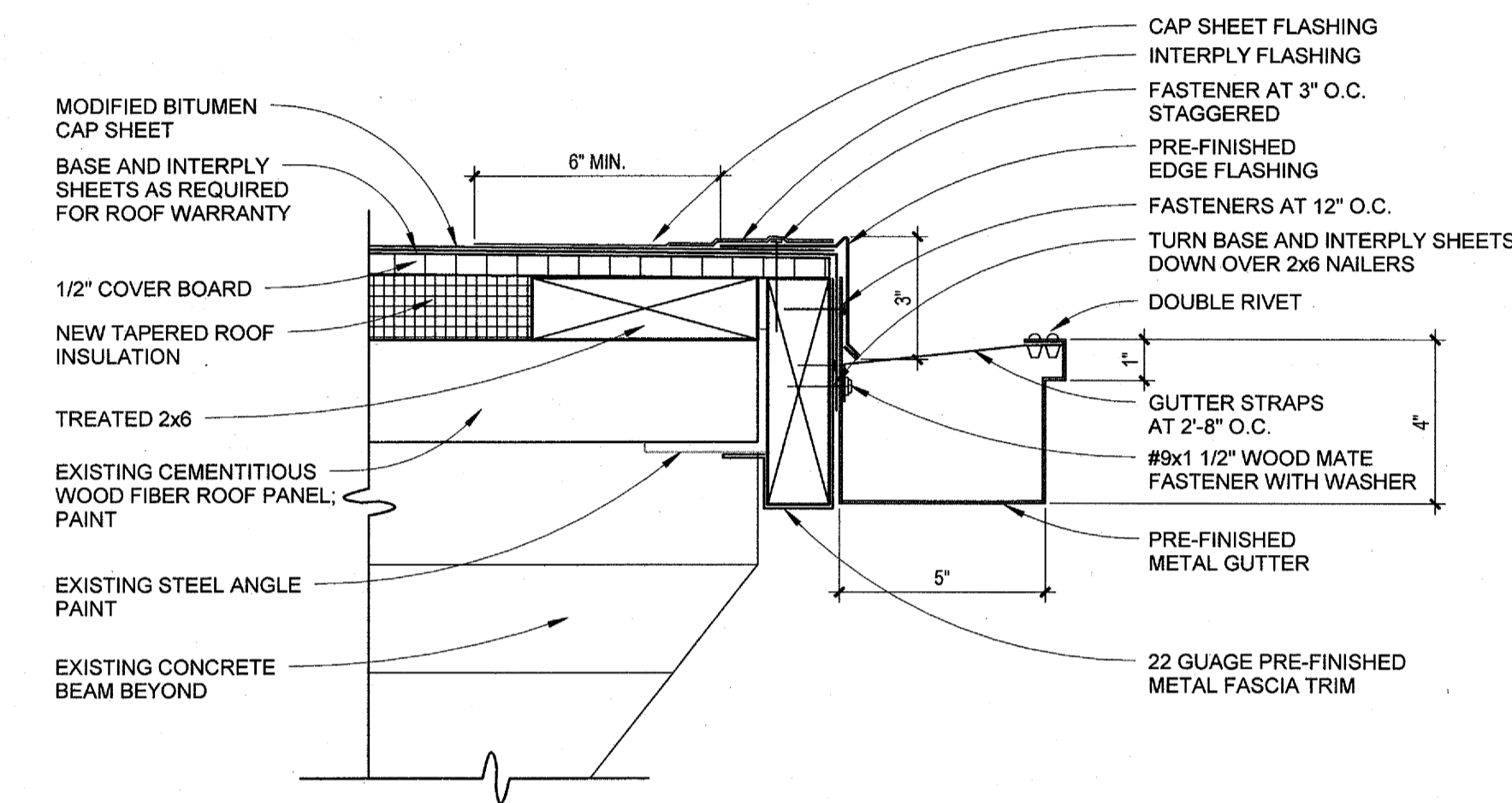
1 low roof gutter detail
SCALE: 3" = 1'-0"



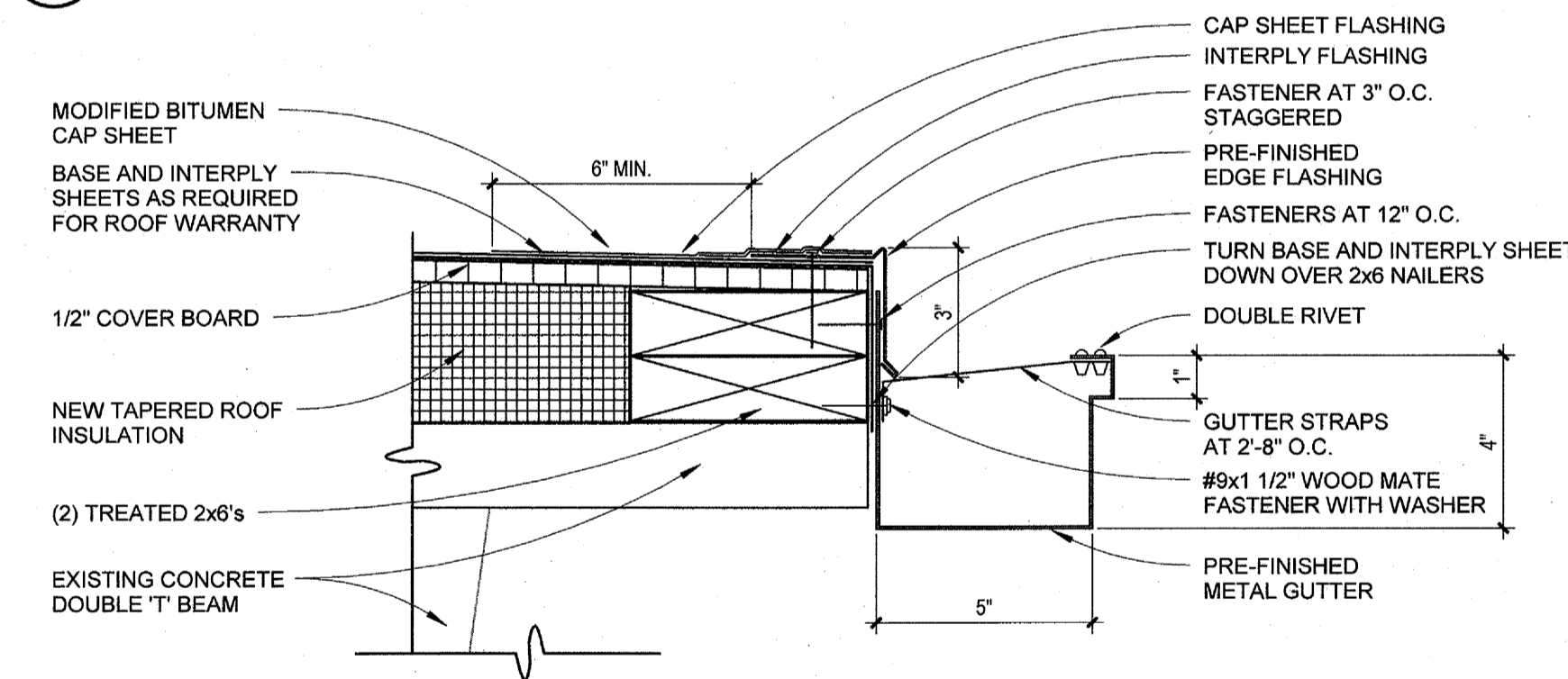
8 vent curb detail
SCALE: 3" = 1'-0"



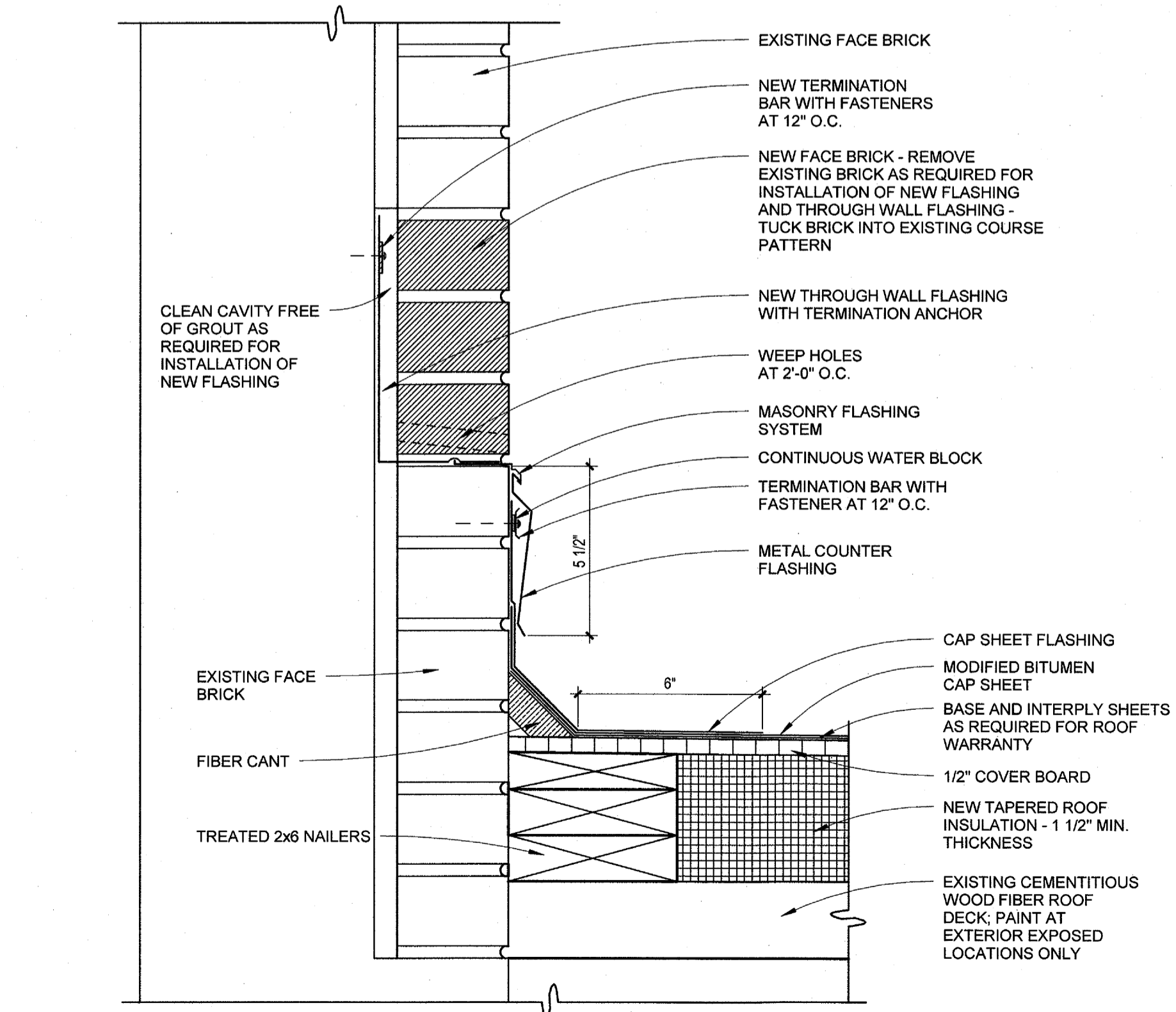
5 high roof gutter detail
SCALE: 3" = 1'-0"



2 low roof gutter detail
SCALE: 3" = 1'-0"



6 high roof gutter detail
SCALE: 3" = 1'-0"

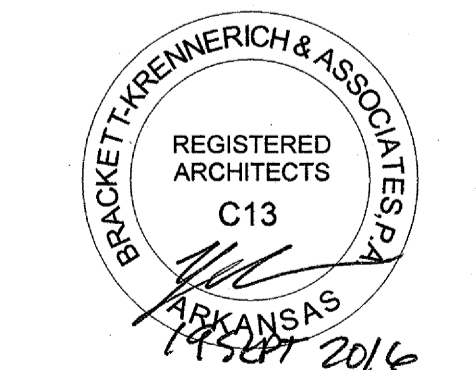


3 flashing detail at wall
SCALE: 3" = 1'-0"

RE-ROOF FOR:
BEEBE READINESS CENTER
Beebe, Arkansas

**BRACKETT
KRENNERICH**
architects

Revision Schedule	Issued By	Rev. Date	Rev. Description



Commission Number
10216
ABA# - 9751644
A102
Date: July 18, 2016