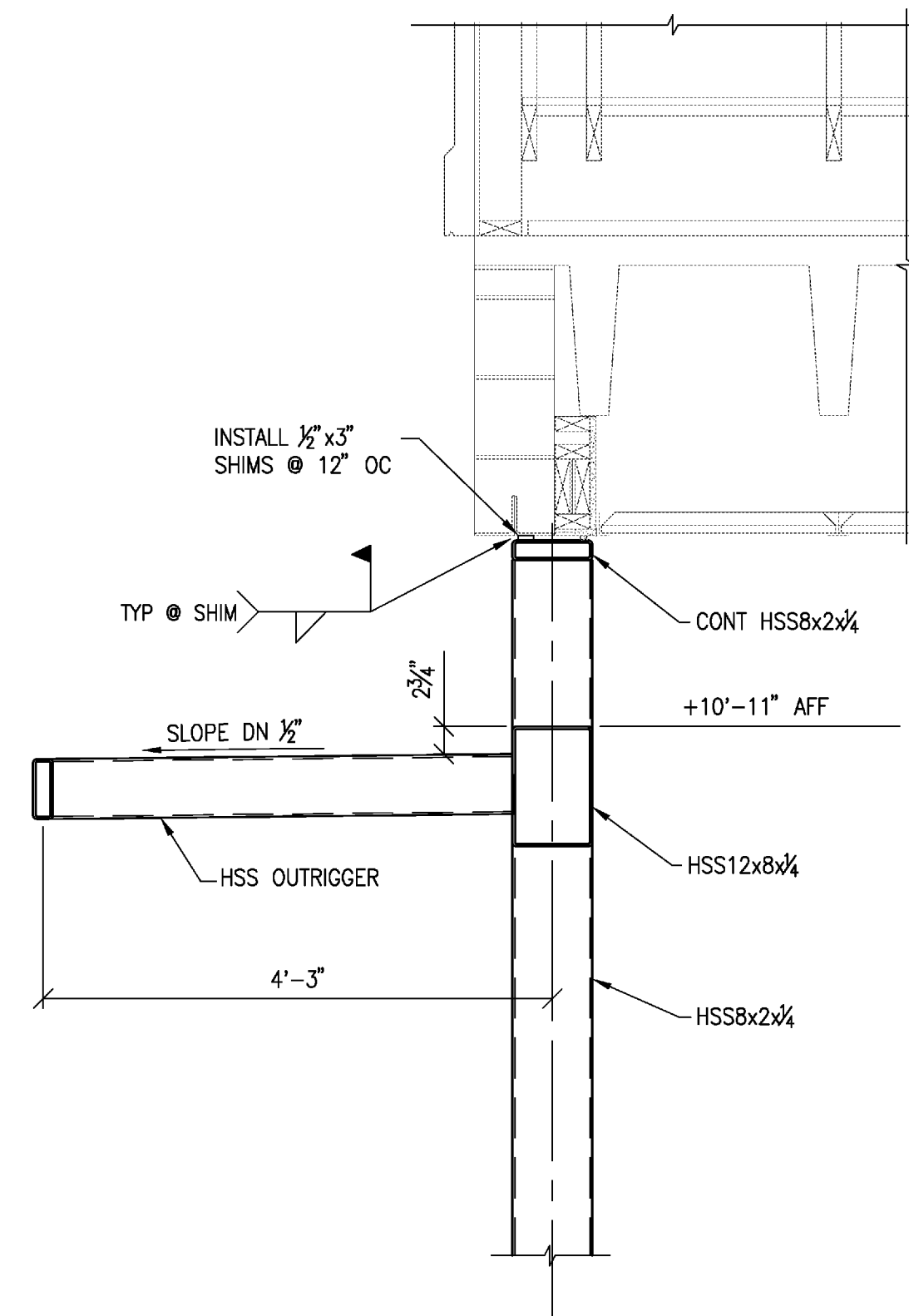
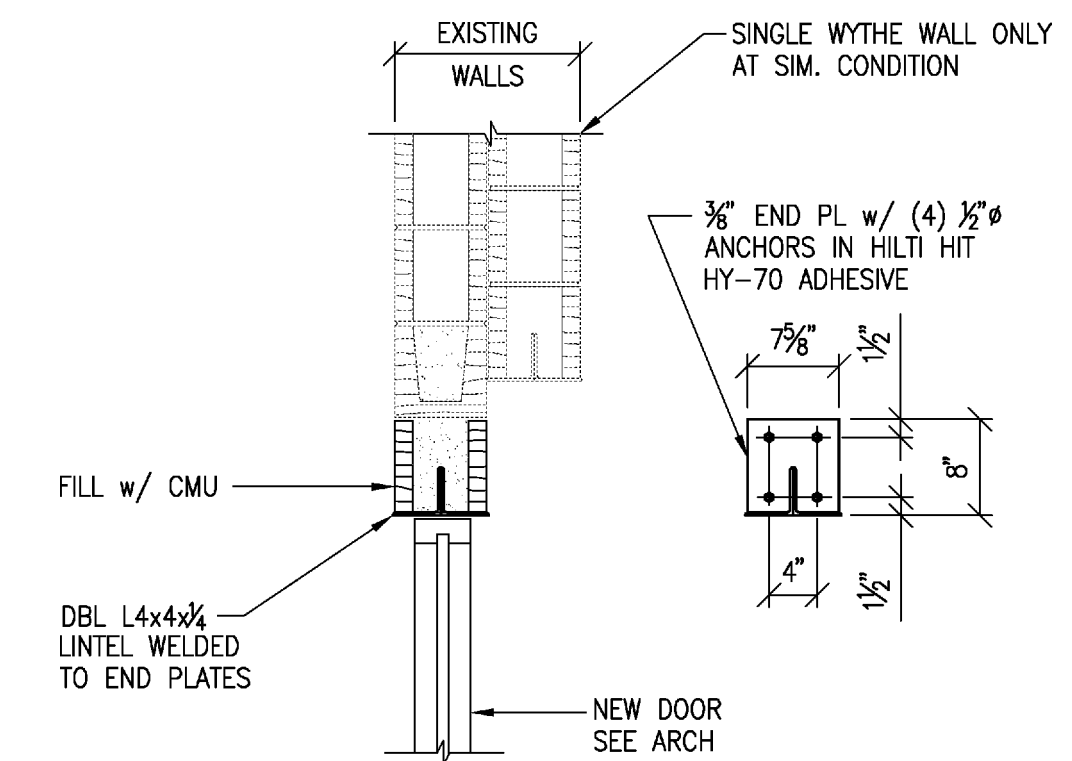


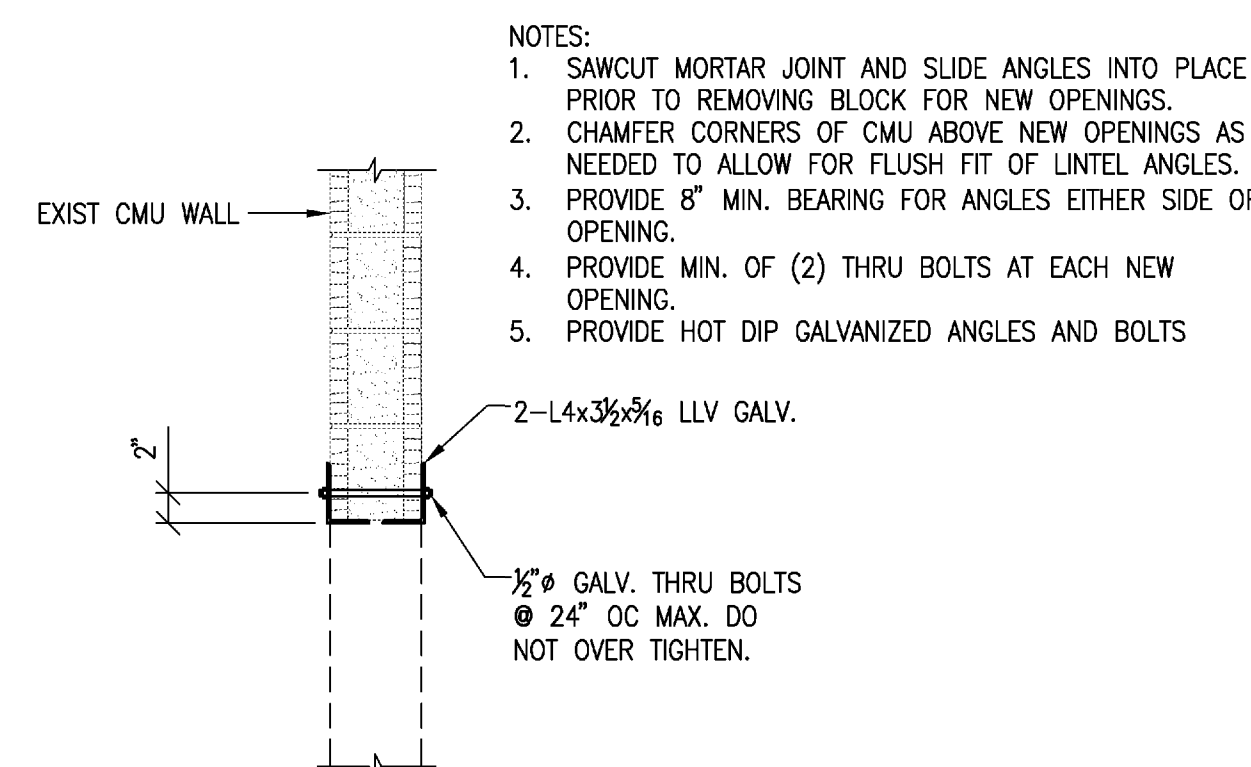
1 TYP ENTRY FRAME ELEVATION
3/4" = 1'-0"



2 TYP ENTRY FRAME SECTION
3/4" = 1'-0"



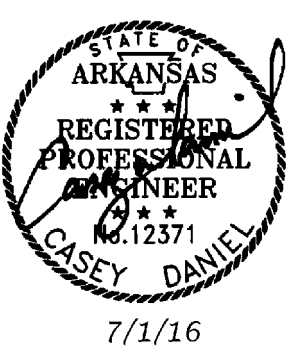
3 LINTEL DETAIL
3/4" = 1'-0"



4 LINTEL DETAIL
3/4" = 1'-0"

CONSULTANTS

DCI, INC.
Civil Engineer
ROBBINS ENGINEERING
Structural Engineer
TME, LLC
MEPF Engineer



**Fire Station Renovation and
Police Station Addition**
Building 7200 - Camp Joseph T. Robinson
North Little Rock, Arkansas

REVISIONS

ISSUE DATE

07-01-16

PROJECT NO.

0901U

CONTENTS

FRAMING SECTIONS

SHEET NUMBER

S4.3

