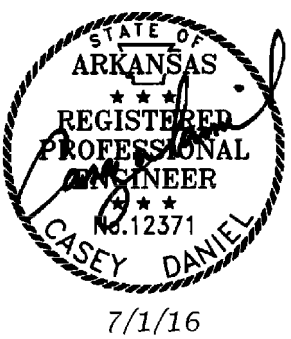


CONSULTANTS

DCI, INC.  
Civil Engineer  
ROBBINS ENGINEERING  
Structural Engineer  
TME, LLC  
MEPF Engineer



**Fire Station Renovation and  
Police Station Addition**  
Building 7200 - Camp Joseph T. Robinson  
North Little Rock, Arkansas

REVISIONS


ISSUE DATE

07-01-16

PROJECT NO.

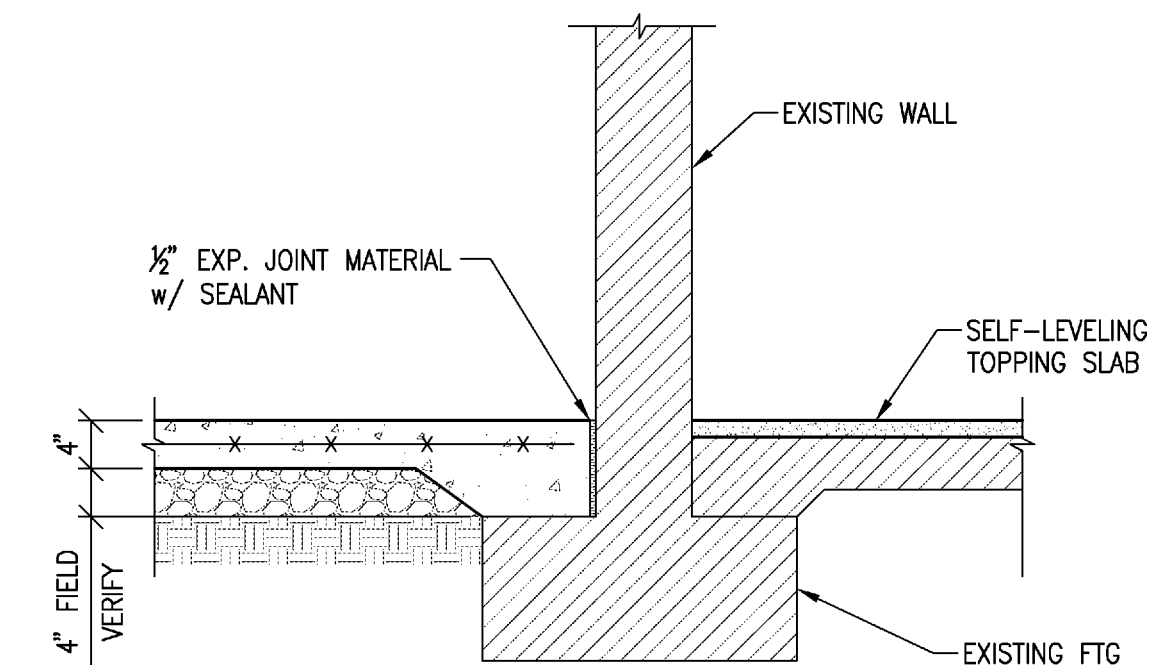
0901U

CONTENTS

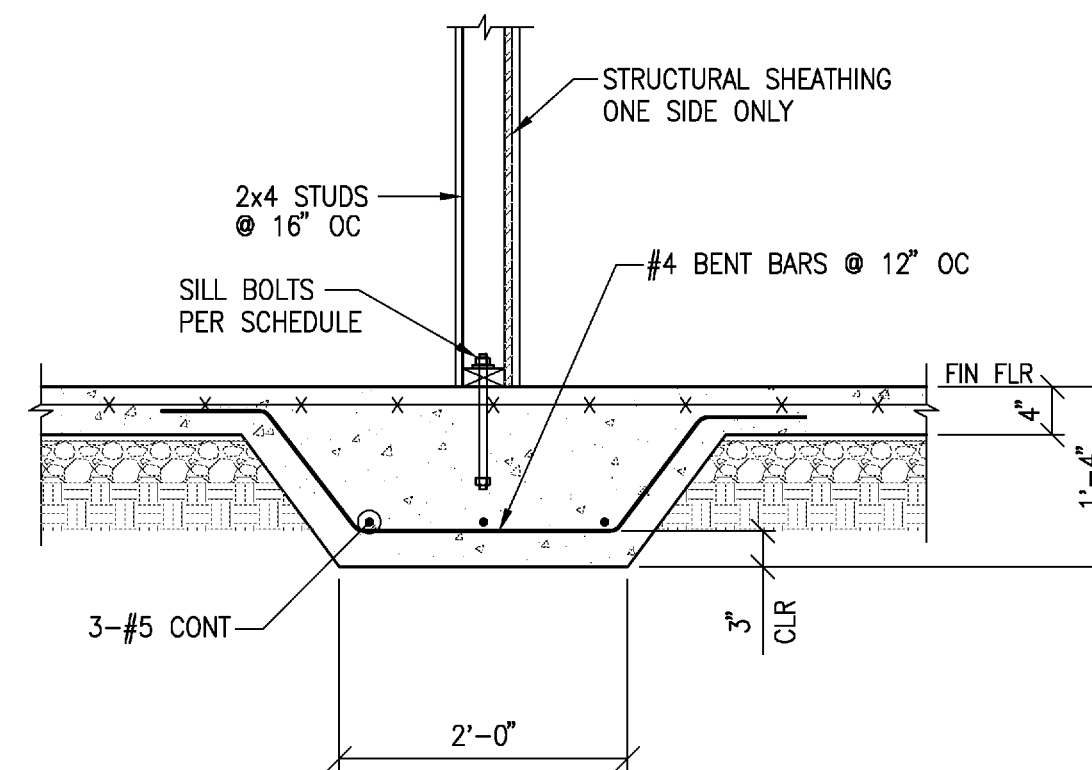
FOUNDATION SECTIONS

SHEET NUMBER

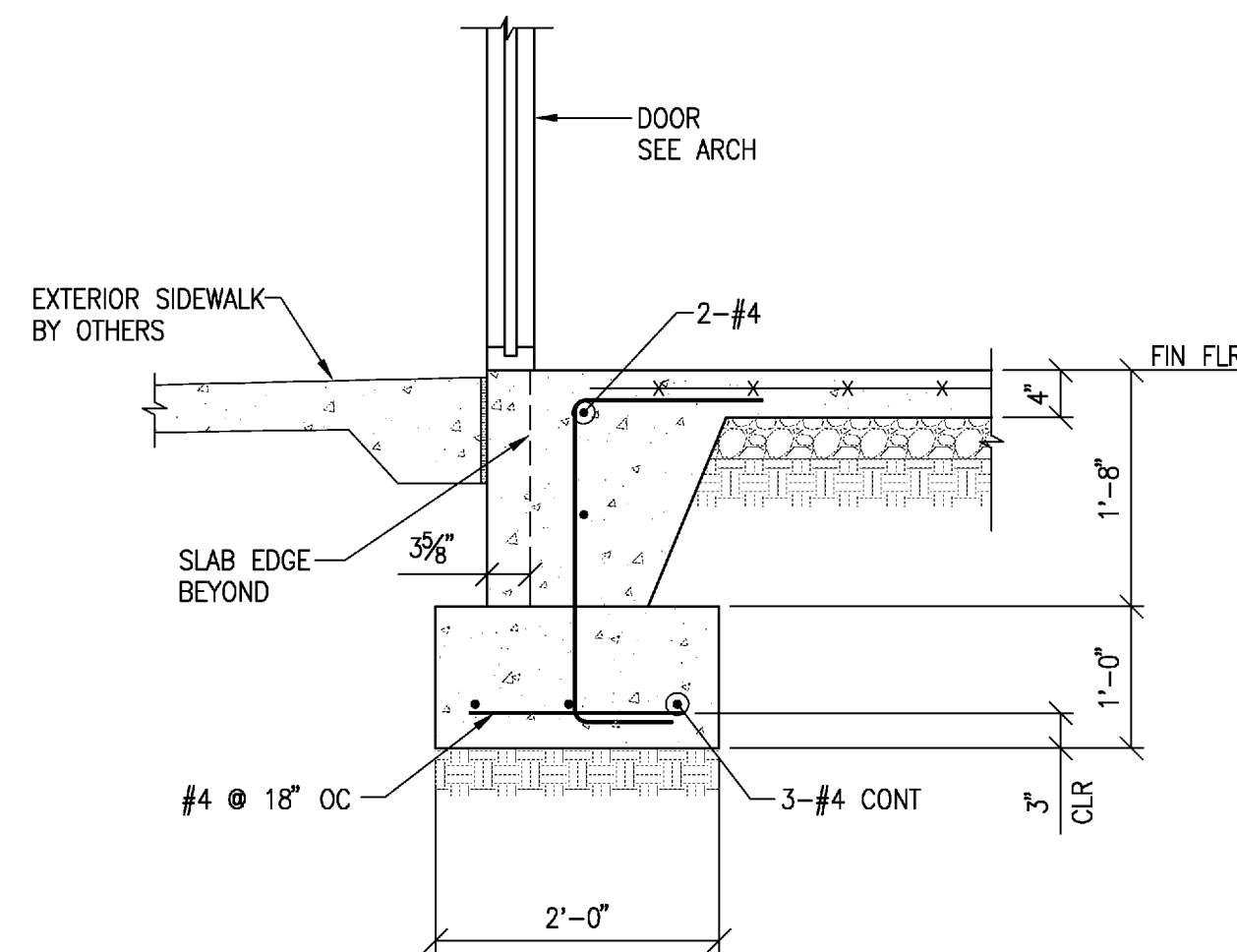
**S2.2**



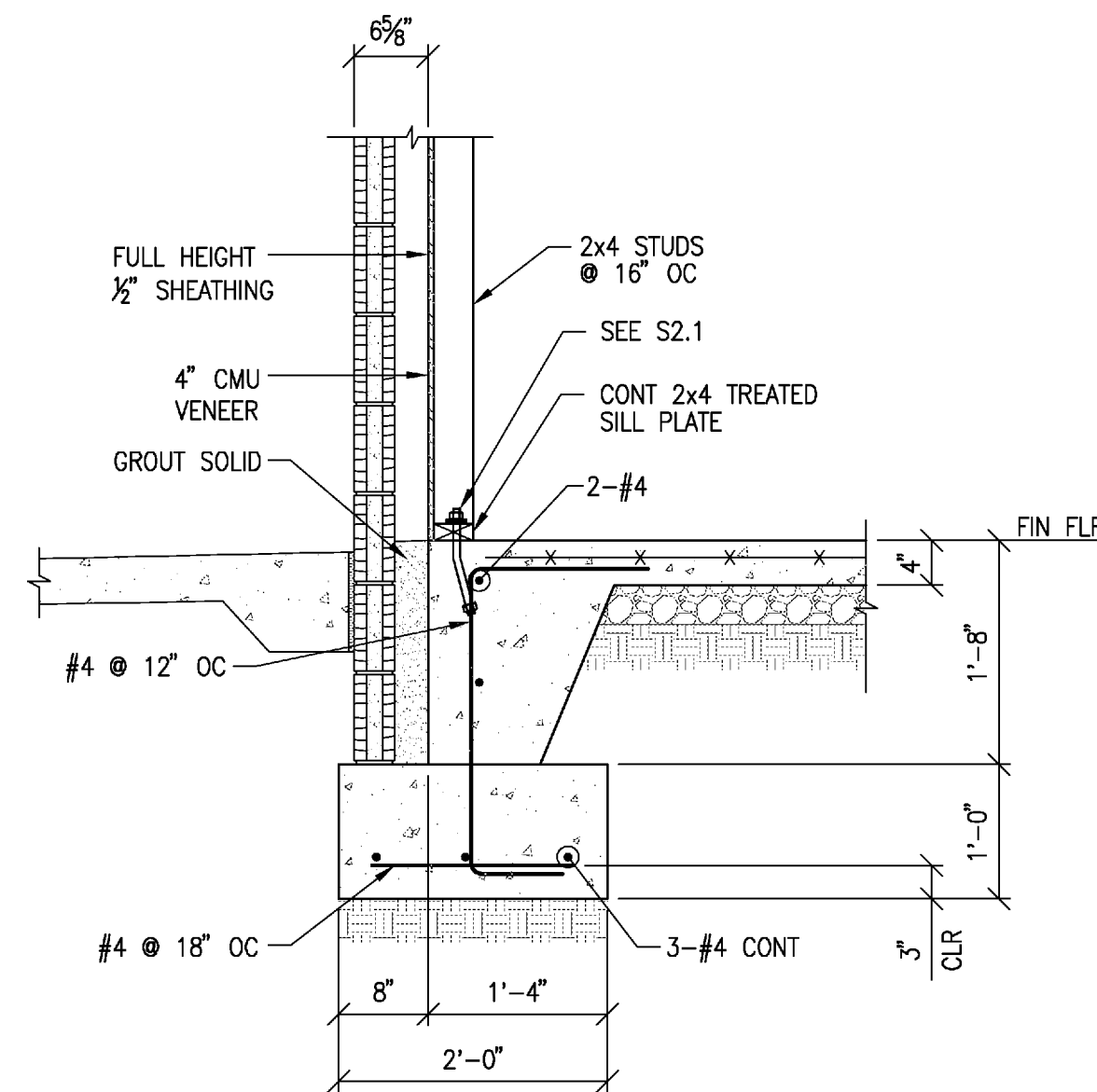
4 SECTION  
3/4"=1'-0"



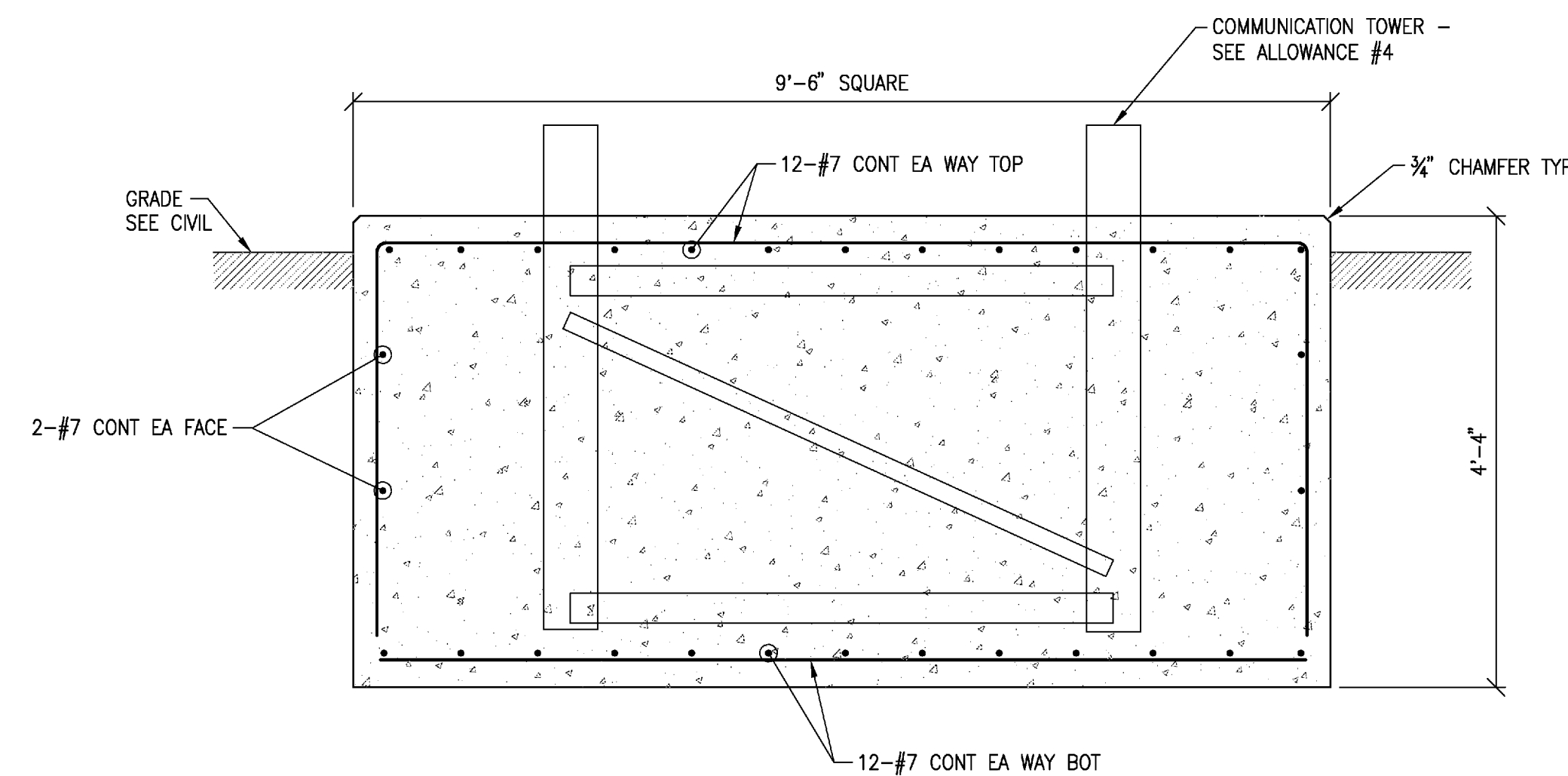
3 SECTION @ INT. SHEARWALL  
3/4"=1'-0"



2 SECTION @ DOORS  
3/4"=1'-0"

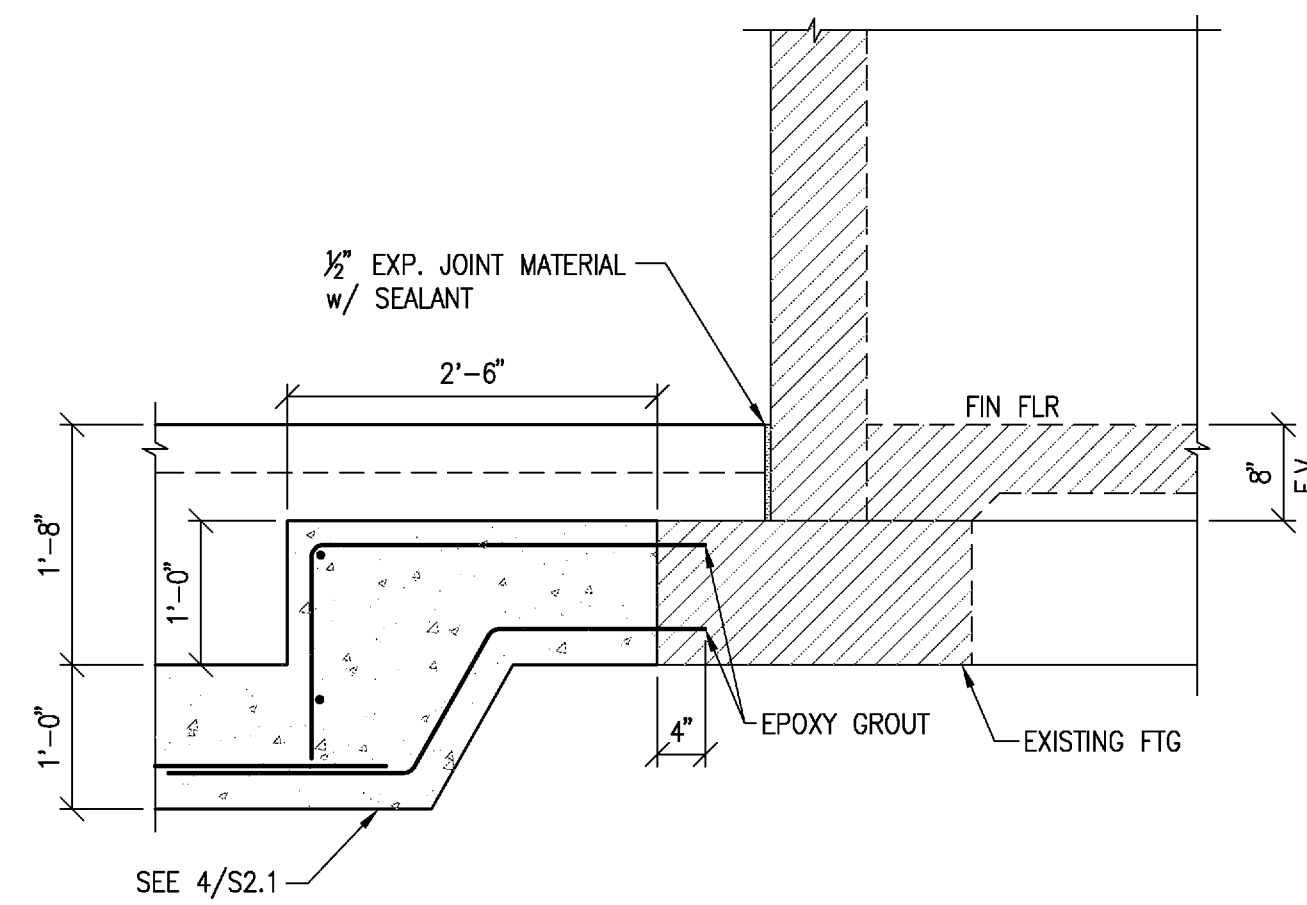


1 SECTION @ EXT. WALLS  
3/4"=1'-0"



6 TOWER FOUNDATION SECTION  
3/4"=1'-0"

NOTE:  
FINAL FOUNDATION AS DESIGNED BY THE TOWER MANUFACTURER MAY VARY  
IN SIZE FROM THAT SHOWN HERE.



5 SECTION  
3/4"=1'-0"

