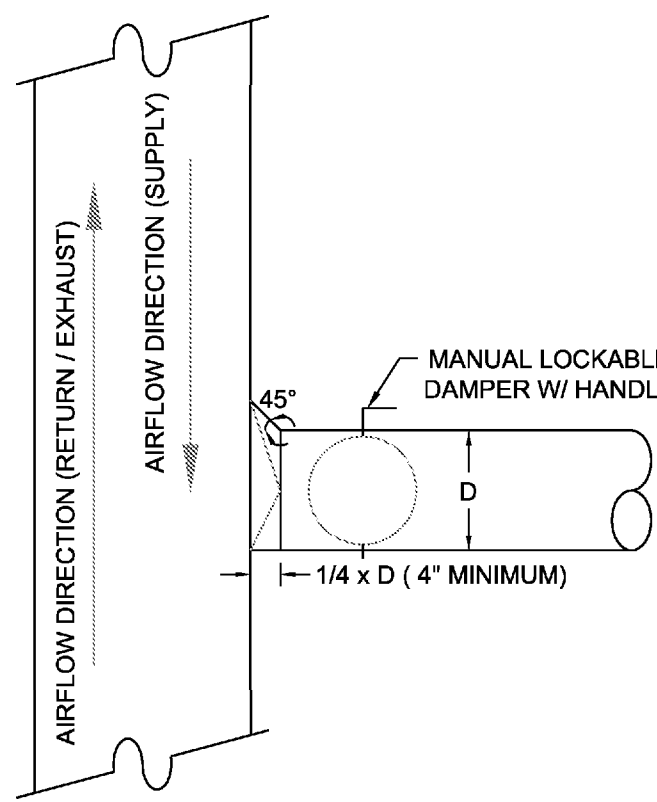
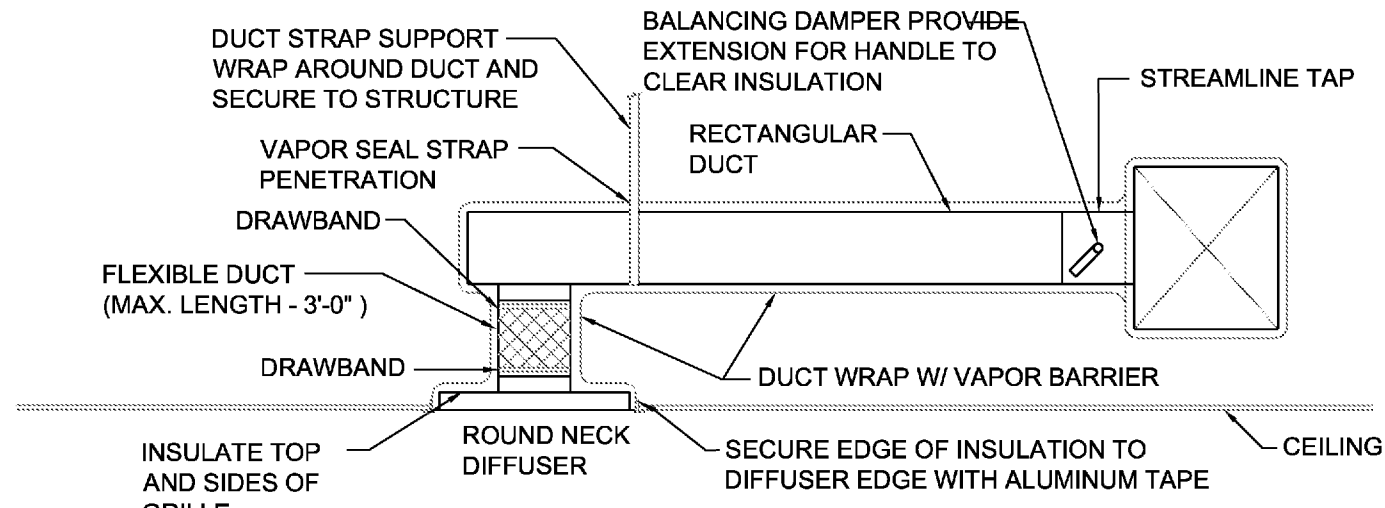


**1 RECTANGULAR BRANCH DUCT CONNECTION**  
NOT TO SCALE



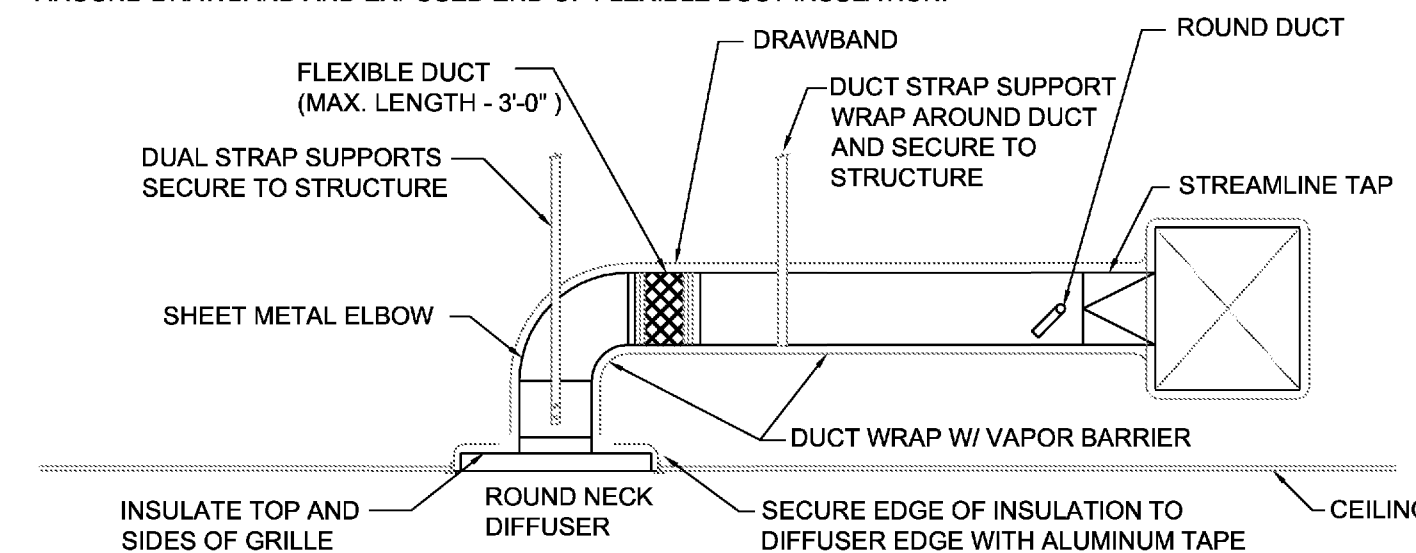
**2 ROUND BRANCH DUCT CONNECTION**  
NOT TO SCALE

NOTE:  
FLEXIBLE DUCT CONNECTIONS SHALL BE INSTALLED TO ADC STANDARDS AND SEALED TO UL STANDARDS PER AMC 603 AND 604.2.1. AS A MINIMUM, THE CONTRACTOR SHALL SECURE THE FLEXIBLE DUCT TO GRILLE AND METAL DUCT WITH DRAWBANDS, AND WRAP 3\"/>



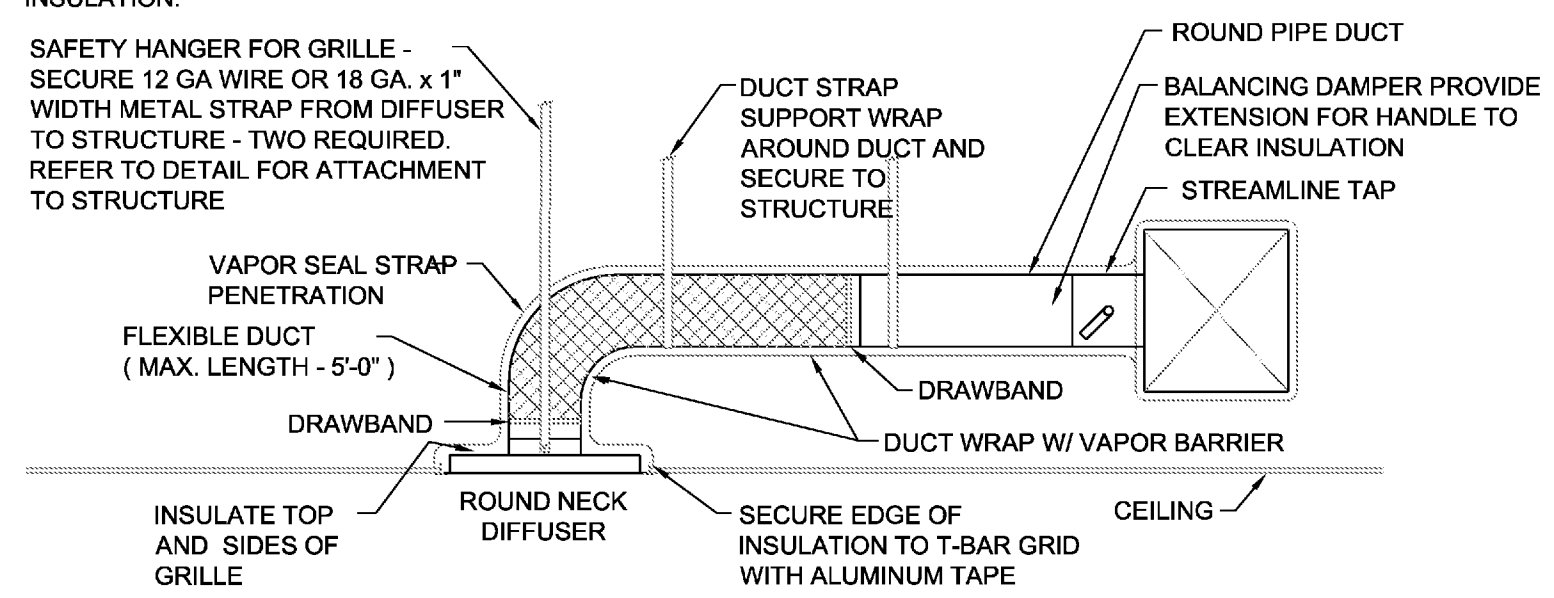
**3 DIFFUSER CONNECTION TO RECTANGULAR DUCT**  
NOT TO SCALE

NOTE:  
FLEXIBLE DUCT CONNECTIONS SHALL BE INSTALLED TO ADC STANDARDS AND SEALED TO UL STANDARDS PER AMC 603 AND 604.2.1. AS A MINIMUM, THE CONTRACTOR SHALL SECURE THE FLEXIBLE DUCT TO ENDS OF METAL DUCT WITH DRAWBANDS, AND WRAP 3\"/>



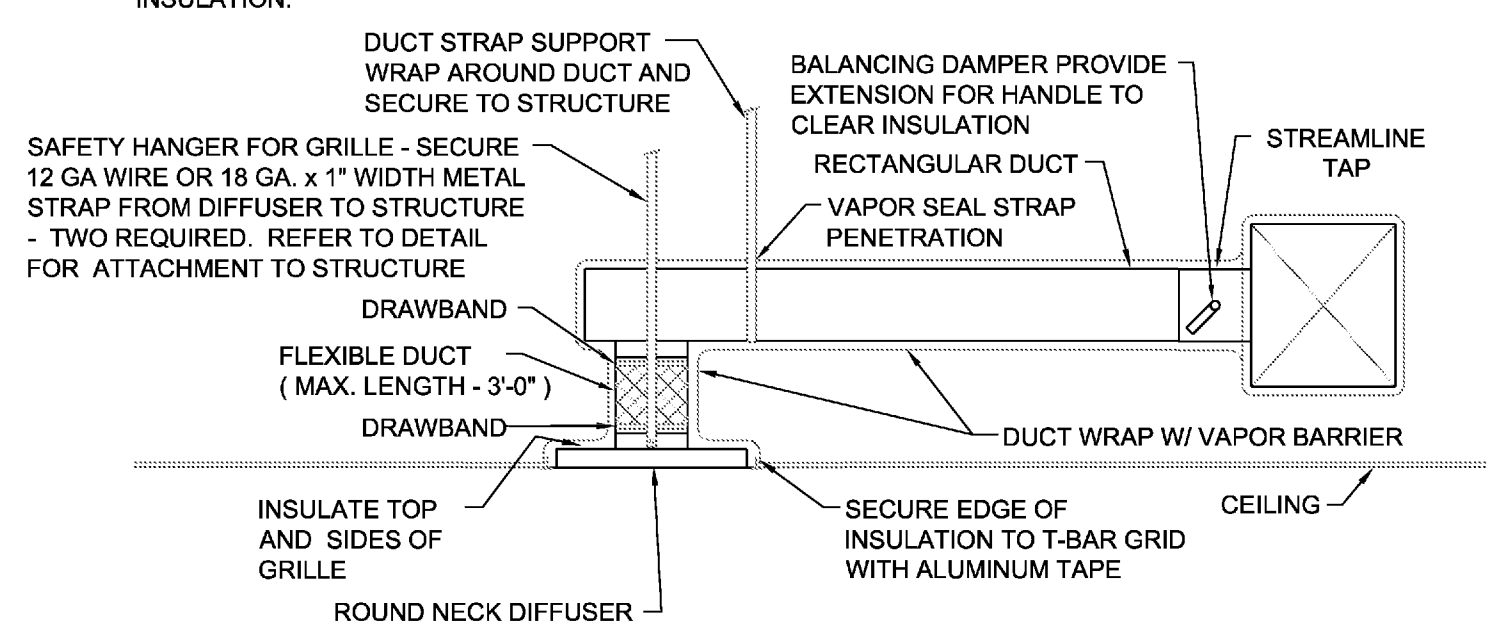
**4 DIFFUSER CONNECTION TO ROUND DUCT**  
NOT TO SCALE

NOTE:  
FLEXIBLE DUCT CONNECTIONS SHALL BE INSTALLED TO ADC STANDARDS AND SEALED TO UL STANDARDS PER AMC 603 AND 604.2.1. AS A MINIMUM, THE CONTRACTOR SHALL SECURE THE FLEXIBLE DUCT TO GRILLE AND METAL DUCT WITH DRAWBANDS, AND WRAP 3\"/>

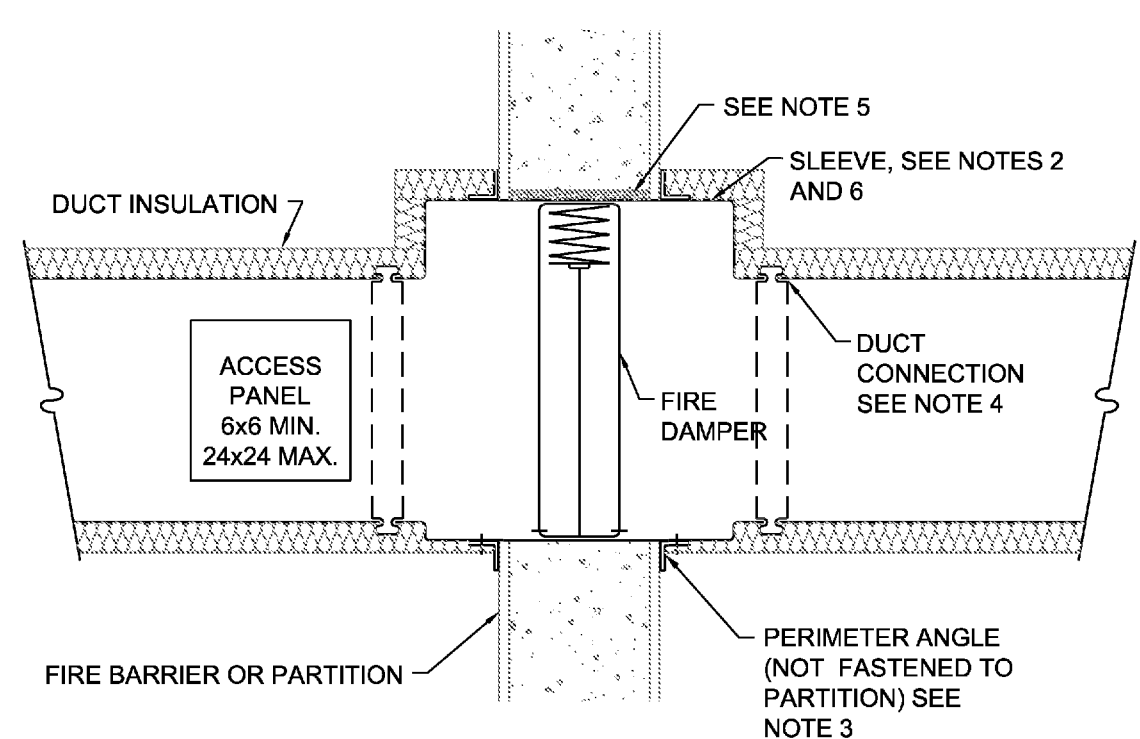


**5 DIFFUSER CONNECTION TO ROUND DUCT**  
NOT TO SCALE

NOTE:  
FLEXIBLE DUCT CONNECTIONS SHALL BE INSTALLED TO ADC STANDARDS AND SEALED TO UL STANDARDS PER AMC 603 AND 604.2.1. AS A MINIMUM, THE CONTRACTOR SHALL SECURE THE FLEXIBLE DUCT TO GRILLE AND METAL DUCT WITH DRAWBANDS, AND WRAP 3\"/>

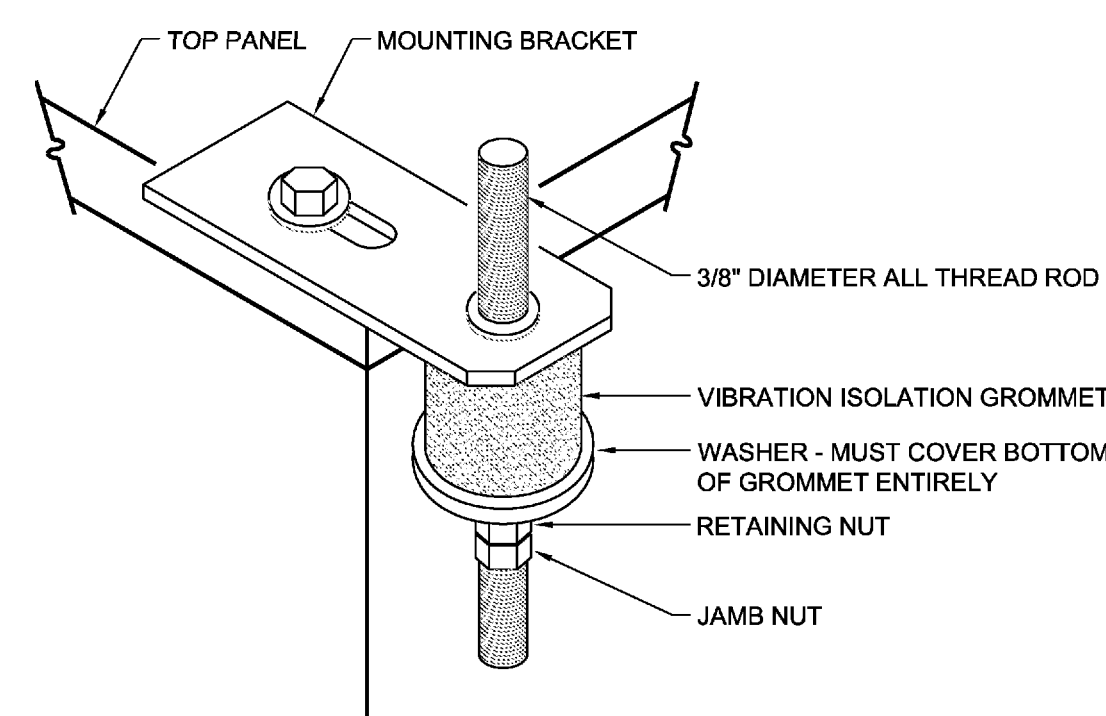


**6 DIFFUSER CONNECTION TO RECTANGULAR DUCT**  
NOT TO SCALE

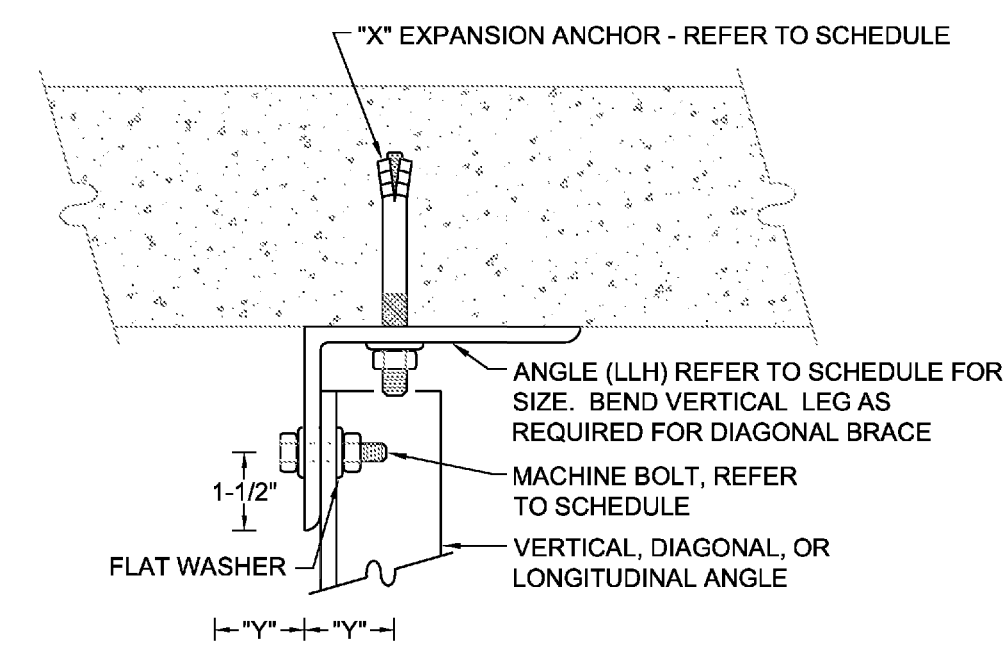


- NOTES:
1. COMPLY W/ SMACNA "FIRE, SMOKE AND RADIATION DAMPER INSTALLATION GUIDE FOR HVAC "SYSTEMS" AND NFPA 90A "INSTALLATION OF AIR CONDITIONING AND VENTILATING SYSTEMS".
  2. GALVANIZED SLEEVE GAGE SHALL NOT BE LESS THAN CONNECTING DUCT FOR BREAKAWAY CONNECTED DUCT. BREAKAWAY DUCT CONNECTION MAY BE OMITTED IF SLEEVE IS 16 GA. MINIMUM.
  3. GALVANIZED STEEL PERIMETER ANGLE NOT LESS THAN 1-1/2x1-1/2x14 GAGE WITH 1\"/>

**7 VERTICAL FIRE DAMPER DETAIL**  
NOT TO SCALE

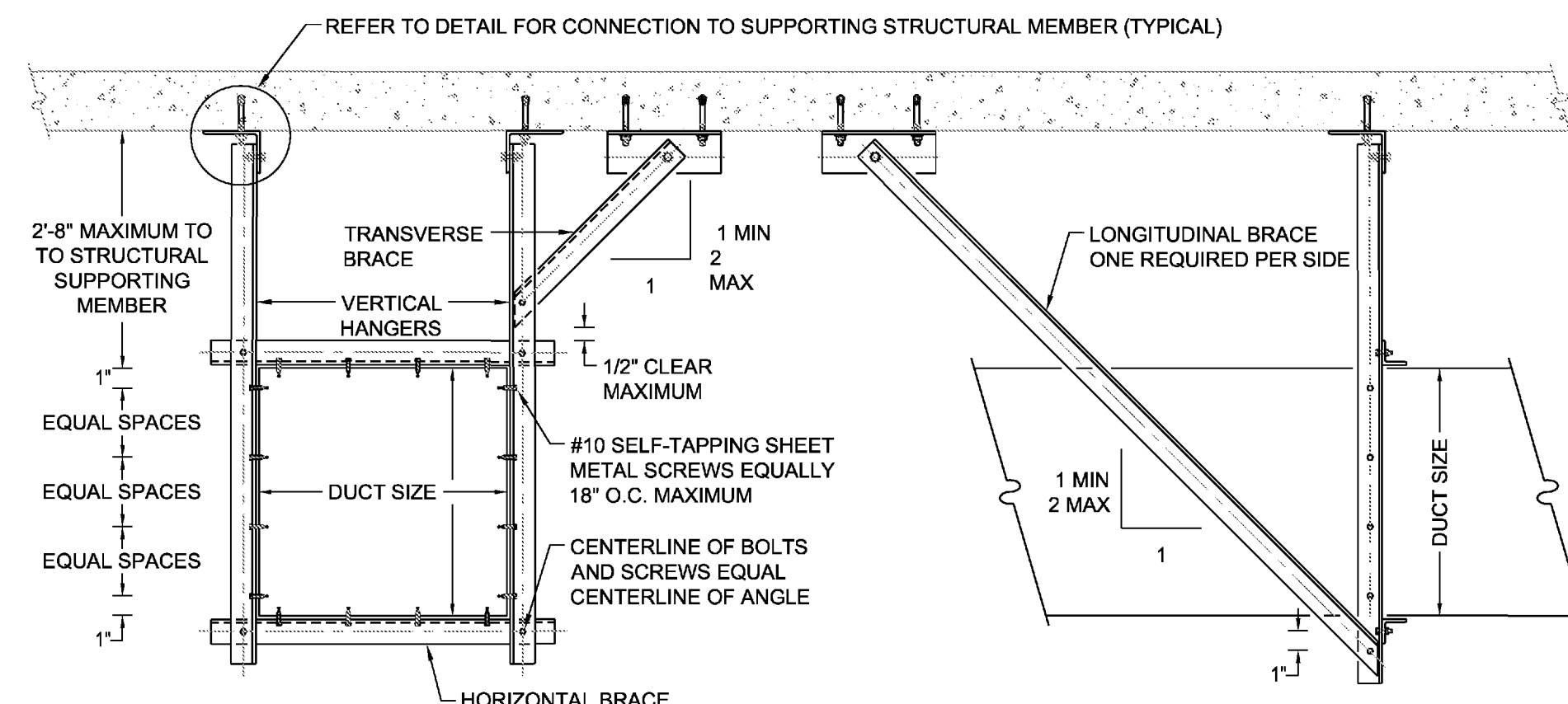


**8 HANGER BRACKET DETAIL**  
NOT TO SCALE



TYPE	MAXIMUM LOAD CAPACITY (LBS)	EXPANSION ANCHORS TO CONCRETE "X"	SPREADER SIZE	MACHINE BOLT AT END OF BRACE	DISTANCE OF BOLT TO ANGLE "Y"	ANGLE TO SUPPORTING STRUCTURAL MEMBER
A	1040	1/2"	C4x5.4	3/8"	1-3/8"	3-1/2x2-1/2x3/8 BY 3\"/>
B	1415	5/8"	C4x5.4	3/8"	1-3/4"	5x3x3/8 BY 3\"/>

**9 ANCHOR CONNECTION DETAIL**  
NOT TO SCALE



NOTE:  
WHEN A COMBINATION OF DUCTS IS USED IN LIEU OF ONE DUCT, AT LEAST TWO SIDES OF EACH DUCT MUST BE CONNECTED TO VERTICAL OR HORIZONTAL ANGLES AND THE COMBINED WEIGHT SHALL NOT EXCEED THAT GIVEN IN THE TABLES IN CHAPTER 5 OF SMACNA'S "SEISMIC RESTRAINT GUIDELINES FOR MECHANICAL SYSTEMS".

**10 SIDE BRACING FOR RECTANGULAR DUCT DETAIL**  
NOT TO SCALE



7/1/16

**Fire Station Renovation and  
Police Station Addition**  
Building 7200 - Camp Joseph T. Robinson  
North Little Rock, Arkansas

REVISIONS

NO.	DATE	DESCRIPTION

ISSUE DATE  
07/01/2016

PROJECT NO.  
0901U

CONTENTS  
DETAILS - HVAC

SHEET NUMBER

**M3.0**