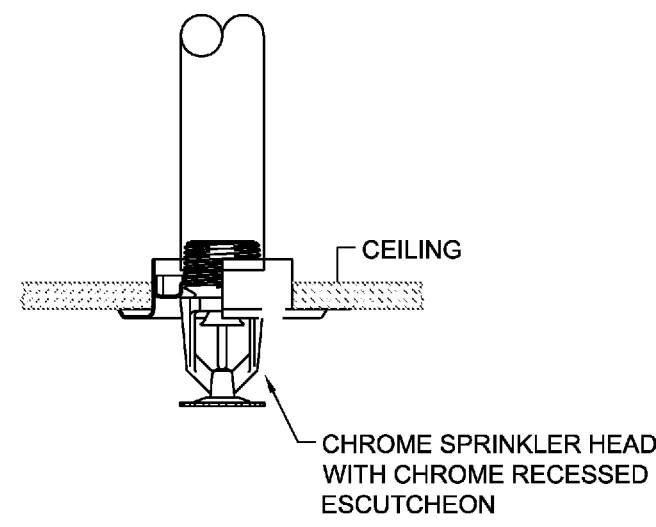
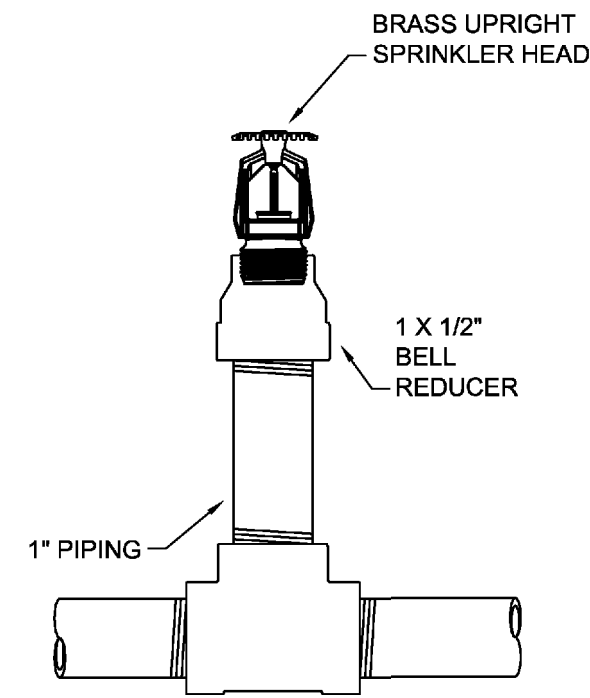


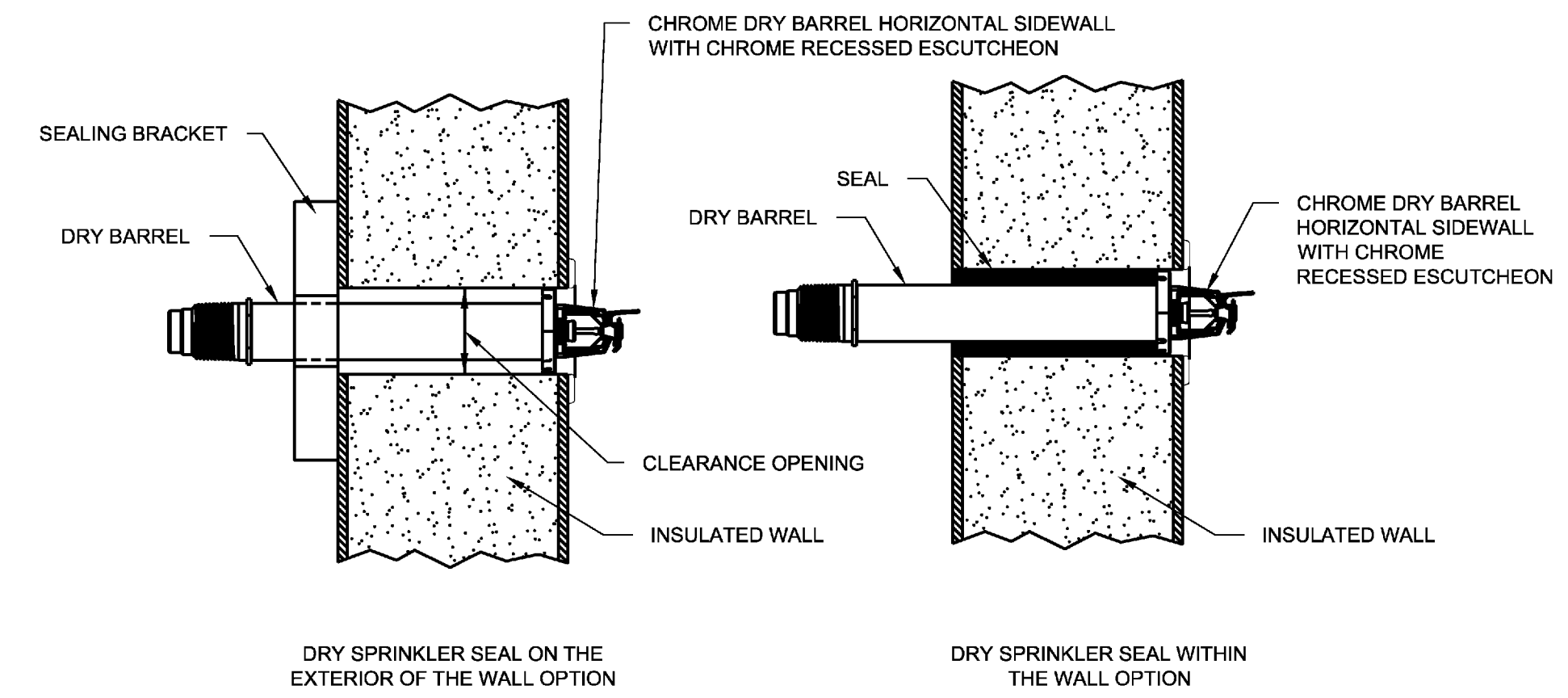
1 CENTER LINE OF TILE DETAIL
SCALE: NONE



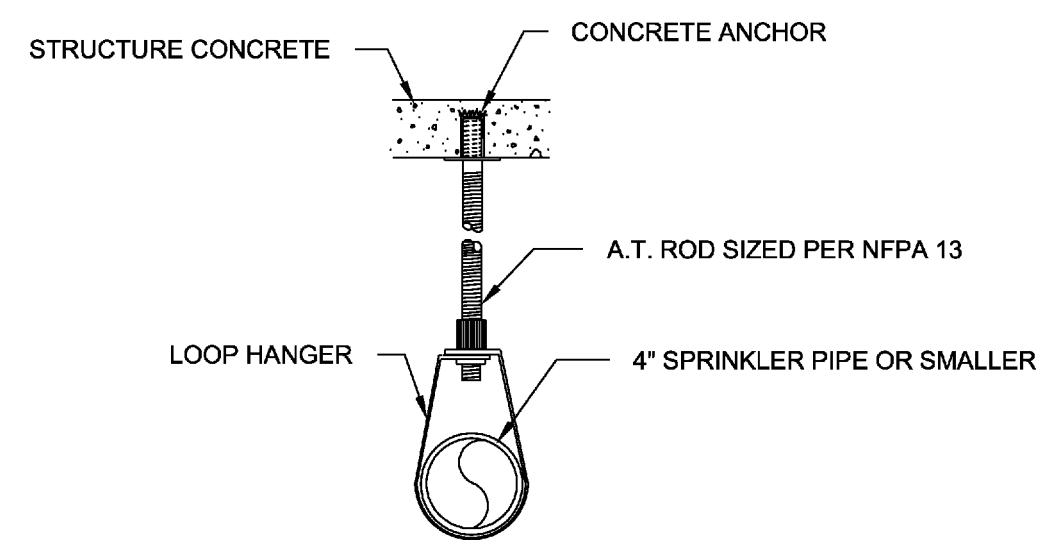
2 RECESSED SPRINKLER HEAD DETAIL
SCALE: NONE



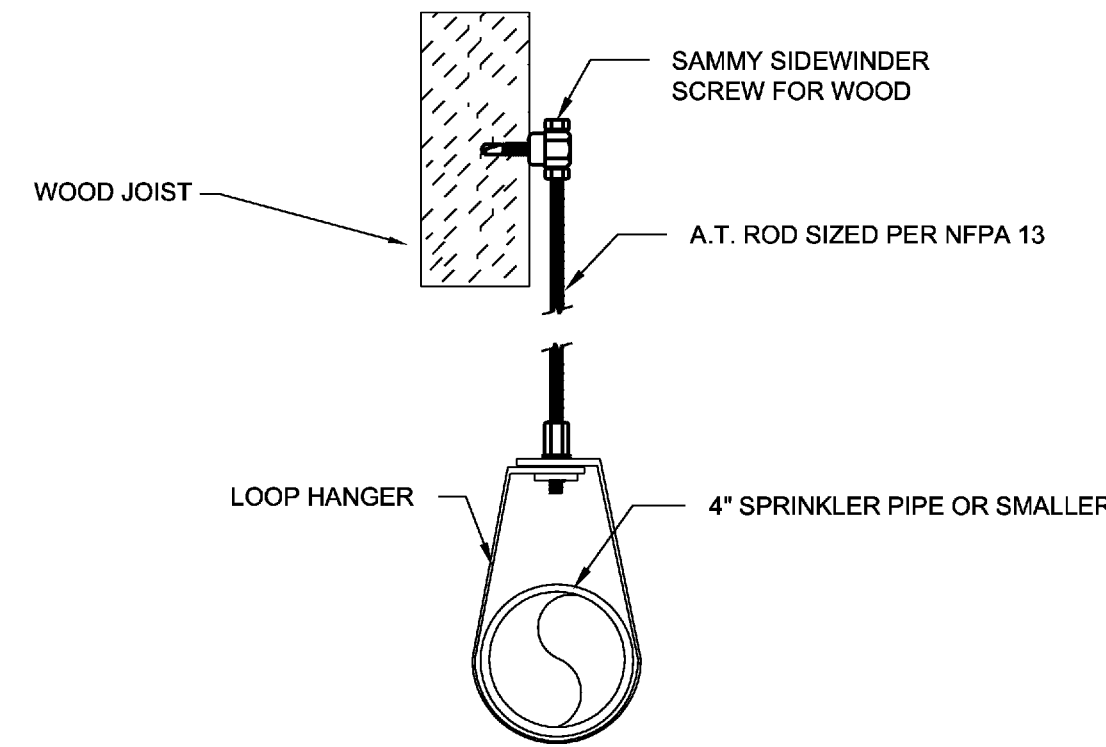
3 UPRIGHT IN 1" SPRIG DETAIL
SCALE: NONE



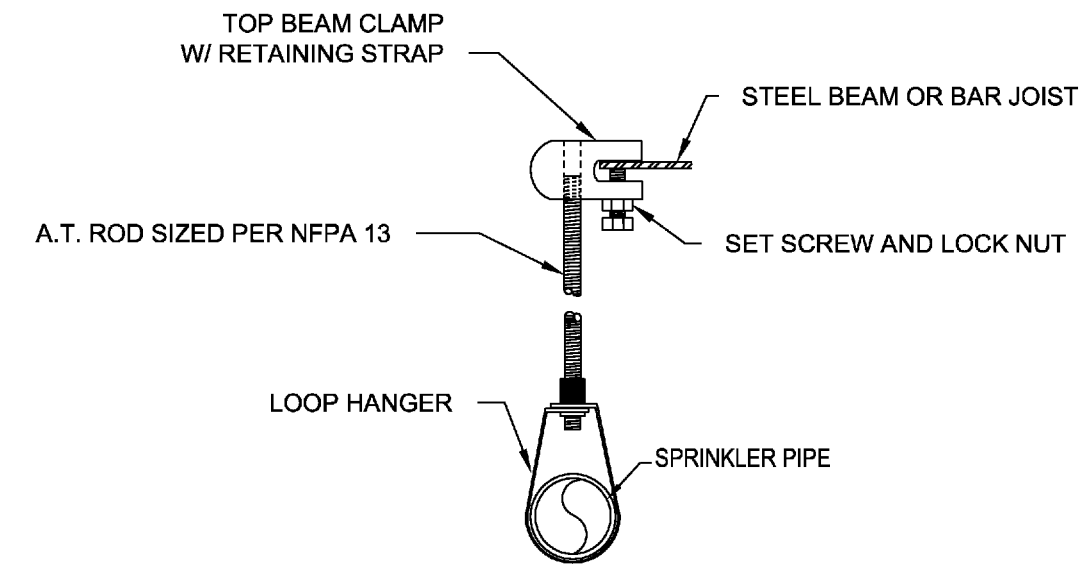
4 DRY BARREL HORIZONTAL SIDEWALL DETAIL
SCALE: NONE



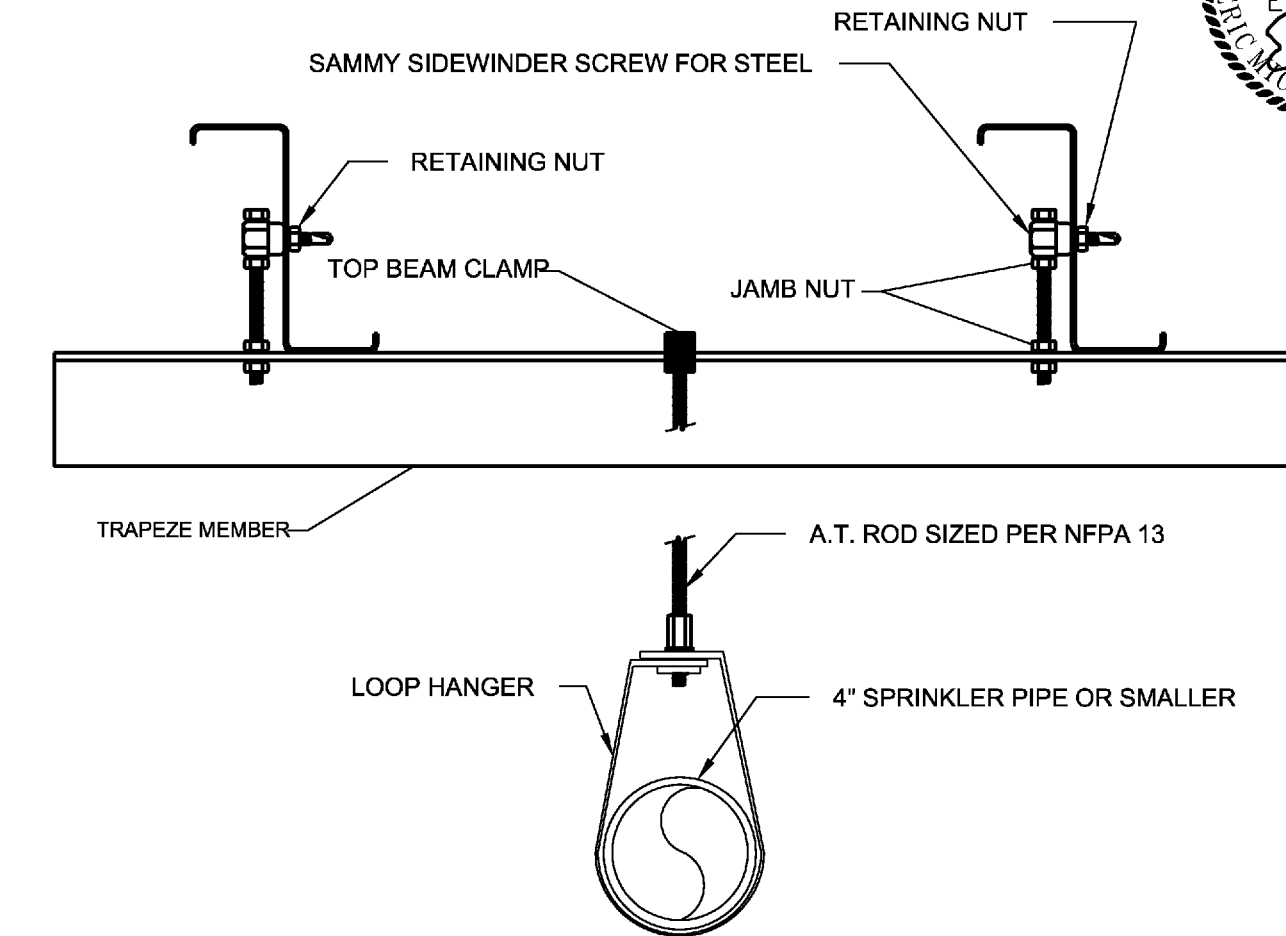
5 CONCRETE HANGER DETAIL
SCALE: NONE



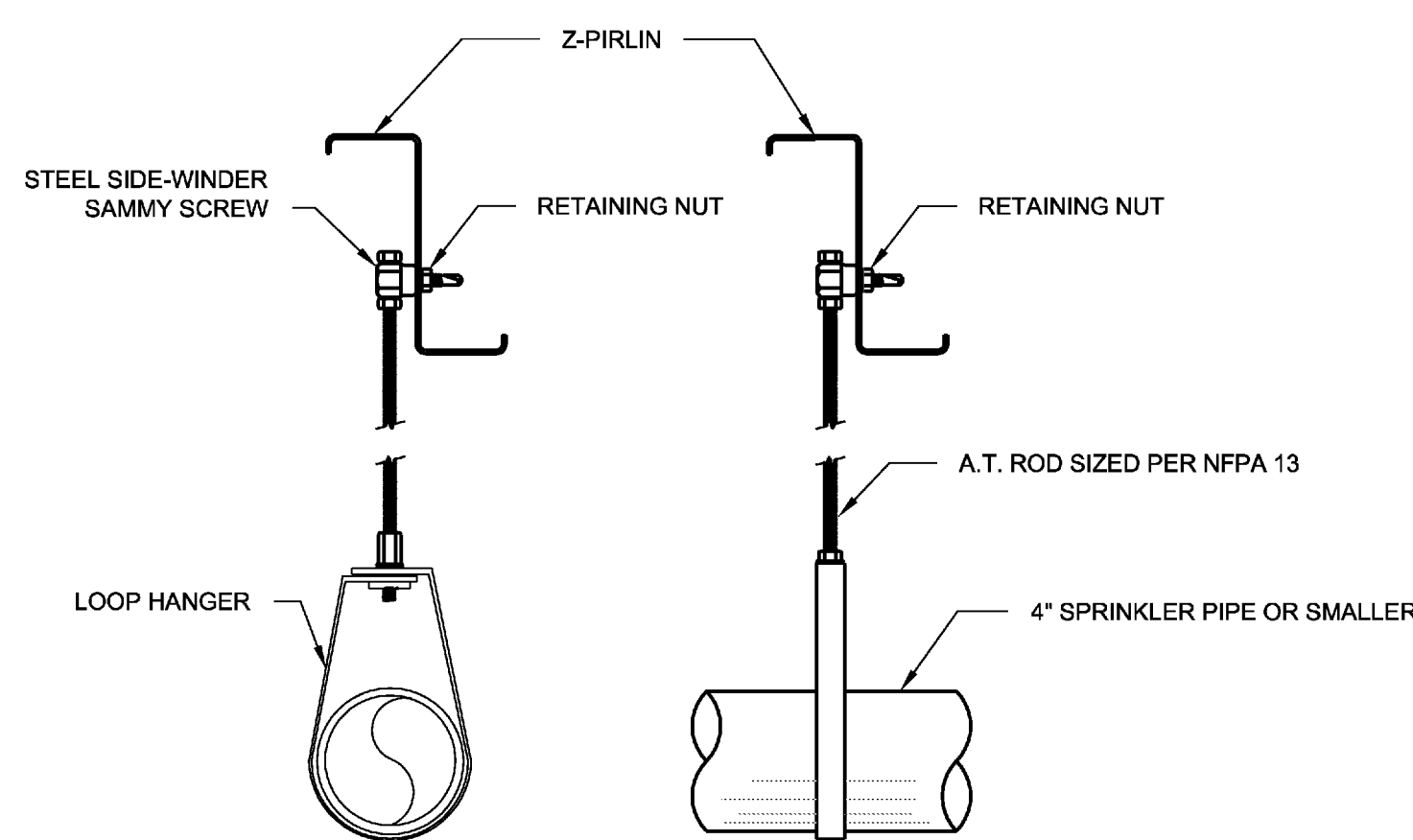
6 WOOD HANGER DETAIL
SCALE: NONE



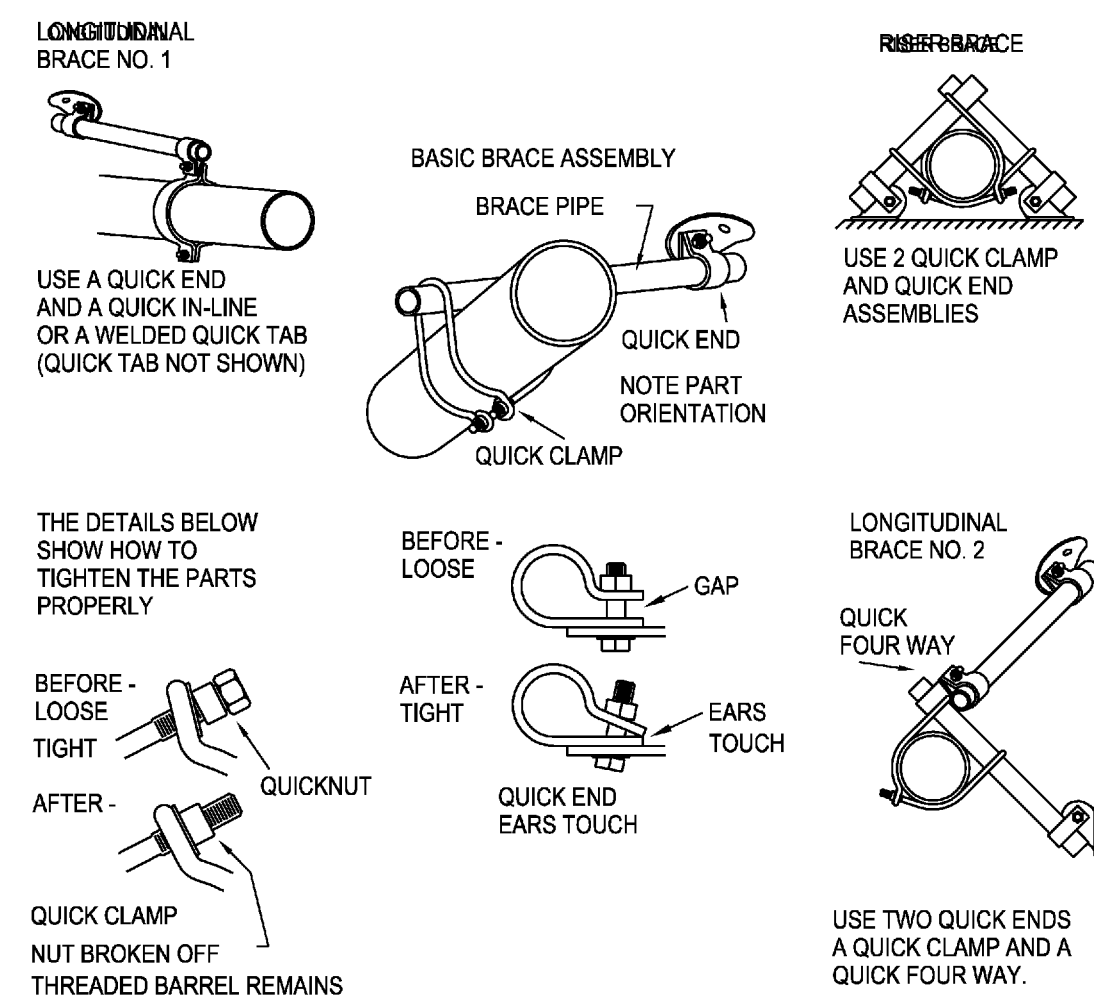
7 TOP BEAM CLAMP HANGER DETAIL
SCALE: NONE



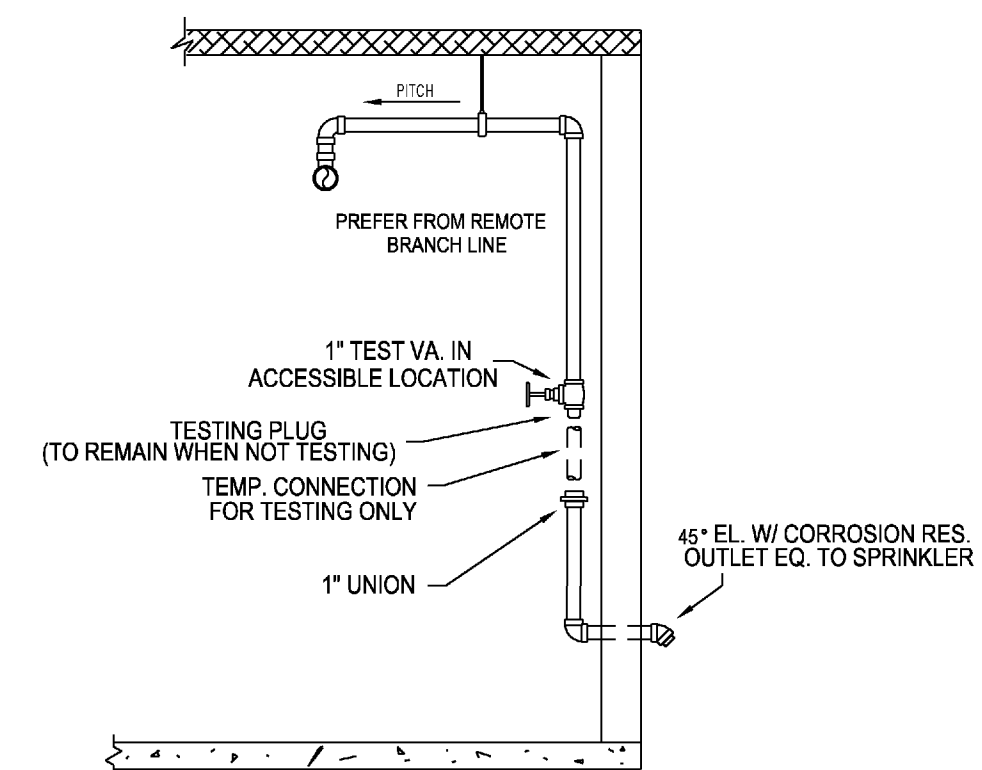
8 TRAPEZE HANGER DETAIL
SCALE: NONE



9 Z-PURLIN HANGER DETAIL
SCALE: NONE



10 TYPICAL SEISMIC BRACING DETAIL
SCALE: NONE



11 DRY INSPECTORS TEST DETAIL
SCALE: NONE

**Fire Station Renovation and
Police Station Addition**
Building 7200 - Camp Joseph T. Robinson
North Little Rock, Arkansas

REVISIONS

ISSUE DATE

07/01/2016

PROJECT NO.

0901U

CONTENTS

DETAILS FIRE PROTECTION

SHEET NUMBER

F0.0

CONSULTANTS

DCI, Inc.
Civil Engineer
ROBBINS ENGINEERING
Structural Engineer
TME, LLC
MEPF Engineer