

GEAR SCHEDULE

EQUIPMENT NAME	EQUIPMENT TYPE	NEMA TYPE	BUS / AMP RATING (A)	MCB / OCP RATING (A)	AIC / WIC RATING (A)	AVAILABLE FAULT CURRENT (A)	NOTES
ATS	AUTOMATIC TRANSFER SWITCH	3R	225	-	10,000	5,552	EXISTING ATS, ASCO
E1	PANELBOARD	1	225	225	10,000	5,233	EXISTING PANEL 7200, SQUARE D NQOB
MAIN DISC.	FUSED DISCONNECT	3R	400	400A FUSE	10,000	5,939	NEW MAIN DISCONNECT
MDP	DISTRIBUTION PANEL	3R	400	MLO	10,000	5,804	EXISTING PANEL, CUTLER-HAMMER PRL3a
N1	PANELBOARD	1	225	MLO	10,000	4,313	EXISTING PANEL 7200B, CUTLER-HAMMER PRL-1a
N2	PANELBOARD	1	225	225	10,000	4,864	NEW PANEL

GEAR SCHEDULE NOTES:

- REFER TO POWER RISER DIAGRAM FOR APPLICATION OF GEAR SCHEDULE.
- PROVIDE AND INSTALL NEW GEAR THAT IS OF THE EQUIPMENT TYPE, MAIN TYPE, NEMA TYPE, BUS OR AMP RATING, MCB OR OCP RATING, AND AIC OR WIC RATING SHOWN IN GEAR SCHEDULE.

GENERATOR SCHEDULE

GENERATOR NAME	KW RATING	VOLTAGE	NOTES
GENERATOR	75	208Y/120V	EXISTING TO REMAIN, NATURAL GAS, OLYMPIAN G80F3

GENERATOR SCHEDULE NOTES:

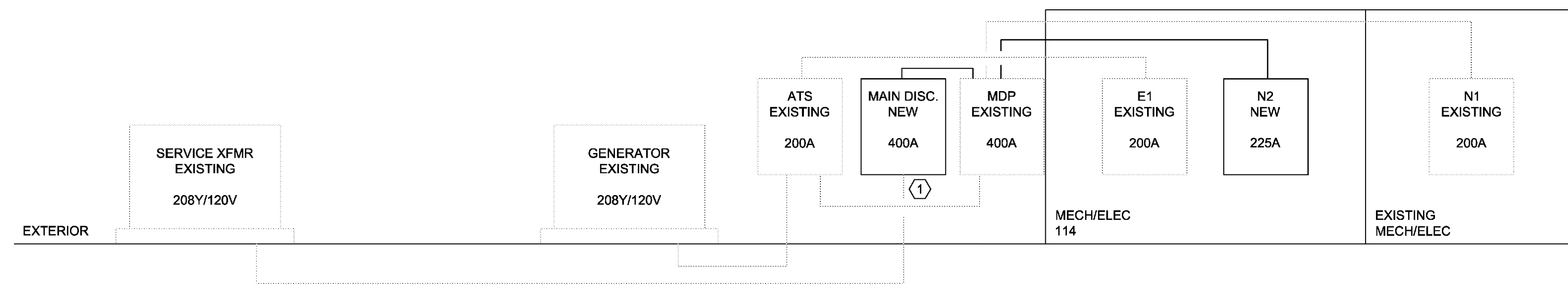
- REFER TO POWER RISER DIAGRAM FOR APPLICATION OF GENERATOR SCHEDULE.
- PROVIDE AND INSTALL NEW GENERATOR(S) WITH THE LISTED KW RATING AND VOLTAGE RATING SHOWN IN GENERATOR SCHEDULE.

FEEDER SCHEDULE

EQUIPMENT NAME	FED FROM	CONDUCTORS AND CONDUIT	OCP SIZE
ATS	MDP	4-#3/0, #6G, 2 1/2" C	200A/3P
ATS	GENERATOR	4-#3/0, #6G, 2 1/2" C	200A/3P
E1	ATS	4-#2/0, #4G, 2" C	200A/3P
MAIN DISC.	SERVICE XFMR	4-350 KCMIL, 3" C	400A/3P
MDP	MAIN DISC.	(2 SETS) 4-#3/0, #3G, 2 1/2" C	400A/3P
N1	MDP	4-#2/0, #4G, 2" C	200A/3P
N2	MDP	4-#4/0, #4G, 2 1/2" C	225A/3P

FEEDER SCHEDULE NOTES:

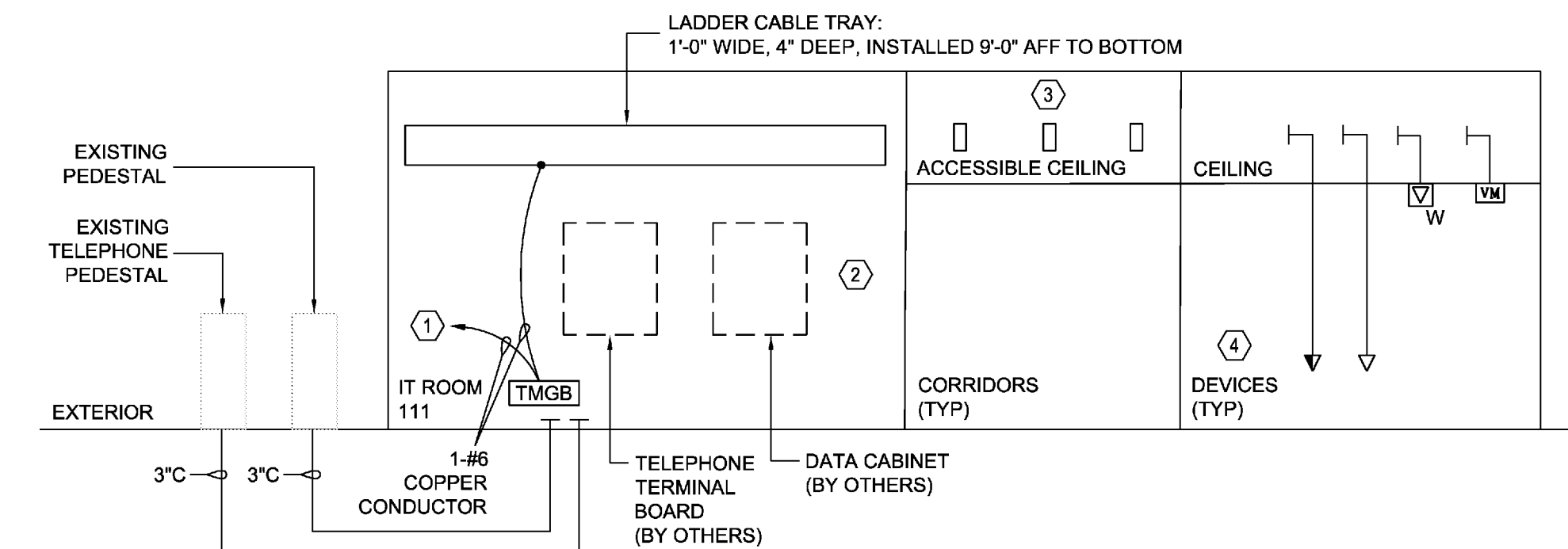
- REFER TO POWER RISER DIAGRAM FOR APPLICATION OF FEEDER SCHEDULE.
- PROVIDE AND INSTALL NEW LISTED CONDUCTORS AND CONDUIT BETWEEN LISTED EQUIPMENT SHOWN IN FEEDER SCHEDULE.
- "OCP SIZE" IS THE SIZE OF THE OVERCURRENT PROTECTION PROTECTING THE FEEDER, WHETHER UPSTREAM OF THE FEEDER (EX. BREAKER FEEDING PANEL) OR DOWNSTREAM OF THE FEEDER (EX. XFMR FEEDING MCB PANEL)



ELECTRICAL RISER DIAGRAM NOTES:

- DETACH SERVICE FEEDER FROM PANEL "MDP" LUGS AND ROUTE TO NEW SERVICE "MAIN DISCONNECT" THROUGH PANEL MDP ENCLOSURE. THEN, RE-FEED PANEL MDP FROM MAIN DISCONNECT.

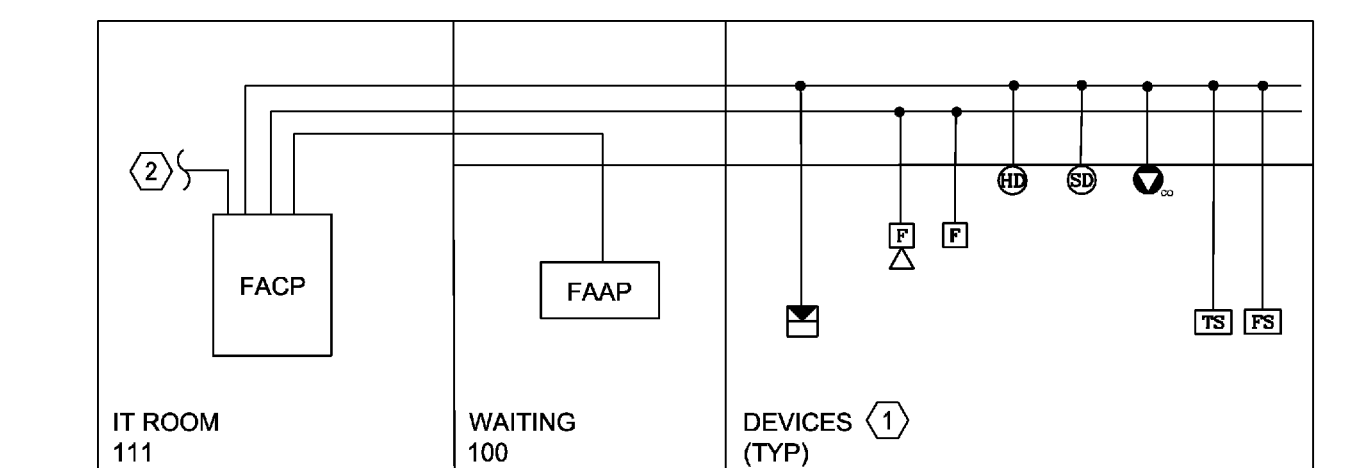
1 RISER DIAGRAM - ELECTRICAL
NOT TO SCALE



TELE/DATA RISER DIAGRAM NOTES:

- ROUTE 1-#6 BARE COPPER CONDUCTOR FROM TELECOM MAIN GROUNDING BUSBAR "TMGB" TO PANEL "MDP" GROUND BUSBAR. BOND CONDUCTOR TO "TMGB" AND CABLE TRAY.
- PROVIDE AND INSTALL 3/4" THICK, 4'-0" TALL PLYWOOD BOARD COATED WITH FLAME RETARDANT TO WALLS TO IT ROOM. INSTALL 4'-0" ON CENTER AFF.
- PROVIDE AND INSTALL DOUBLE HOOK J-HOOKS ABOVE ACCESSIBLE CEILING SPACES IN CORRIDORS. SPACING BETWEEN J-HOOKS SHALL NOT EXCEED 5'-0" ON CENTER. INSTALL ADDITIONAL J-HOOKS AS NECESSARY FOR CABLE FILL REQUIREMENTS. REFER TO ARCHITECTURAL PLANS FOR CEILING TYPES.
- TELE/DATA BACKBOXES AND CONDUITS PROVIDED AND INSTALLED BY ELECTRICAL CONTRACTOR. TELE/DATA OUTLETS, DEVICES, AND CABLING BY OTHERS. SYSTEMS CONDUITS SHALL BE 1" CONDUITS AND STUBBED UP OUT TO 2" FROM A J-HOOK OR CABLE TRAY PATH. INSTALL PLASTIC BUSHING ON END OF CONDUIT TERMINATIONS. INSTALL PULL-WIRE IN CONDUITS.

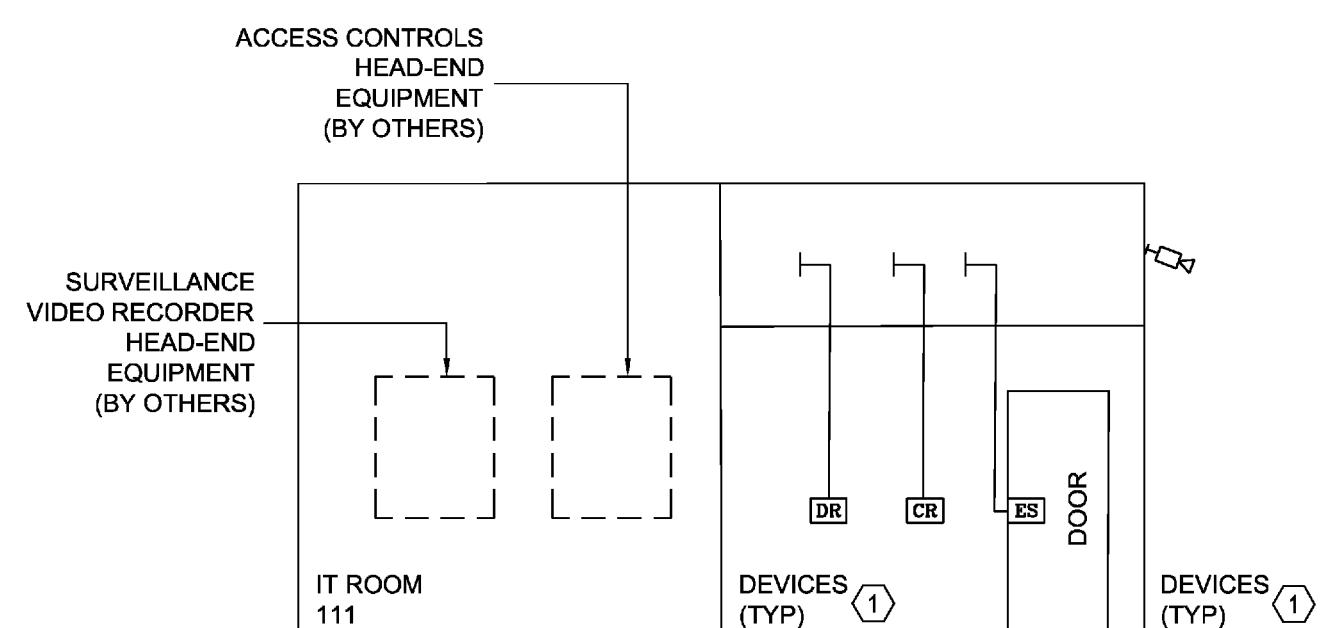
2 RISER DIAGRAM - TELE/DATA
NOT TO SCALE



FIRE ALARM RISER DIAGRAM NOTES:

- FIRE ALARM CONDUITS AND BACKBOXES INSTALLED BY ELECTRICAL CONTRACTOR. FIRE ALARM DEVICES AND LOW-VOLTAGE CABLING SHALL BE PROVIDED AND INSTALLED BY THE FIRE ALARM CONTRACTOR. FIRE ALARM CABLING SHALL BE PLENUM RATED. CONDUITS SHALL BE 1" CONDUITS AND STUBBED UP OUT TO 2" FROM A J-HOOK OR CABLE TRAY PATH. INSTALL PLASTIC BUSHING ON END OF CONDUIT TERMINATIONS. INSTALL PULL-WIRE IN CONDUITS.
- CONNECT FIRE ALARM CONTROL PANEL TO TELEPHONE TERMINAL BOARD.

3 RISER DIAGRAM - FIRE ALARM
NOT TO SCALE



SURVEILLANCE & ACCESS CONTROLS RISER DIAGRAM NOTES:

- SURVEILLANCE AND ACCESS CONTROLS CONDUITS AND BACKBOXES INSTALLED BY ELECTRICAL CONTRACTOR. SURVEILLANCE AND ACCESS CONTROLS DEVICES AND LOW-VOLTAGE CABLING SHALL BE PROVIDED AND INSTALLED BY THE OTHERS. CONDUITS SHALL BE 1" CONDUITS AND STUBBED UP OUT TO 2" FROM A J-HOOK OR CABLE TRAY PATH. INSTALL PLASTIC BUSHING ON END OF CONDUIT TERMINATIONS. INSTALL PULL-WIRE IN CONDUITS.

4 RISER DIAGRAM - SURVEILLANCE & ACCESS CONTROLS
NOT TO SCALE

REVISIONS

NO.	DATE	DESCRIPTION

ISSUE DATE
07/01/2016

PROJECT NO.
0901U

CONTENTS
RISER DIAGRAMS
- ELECTRICAL

SHEET NUMBER

E5.0