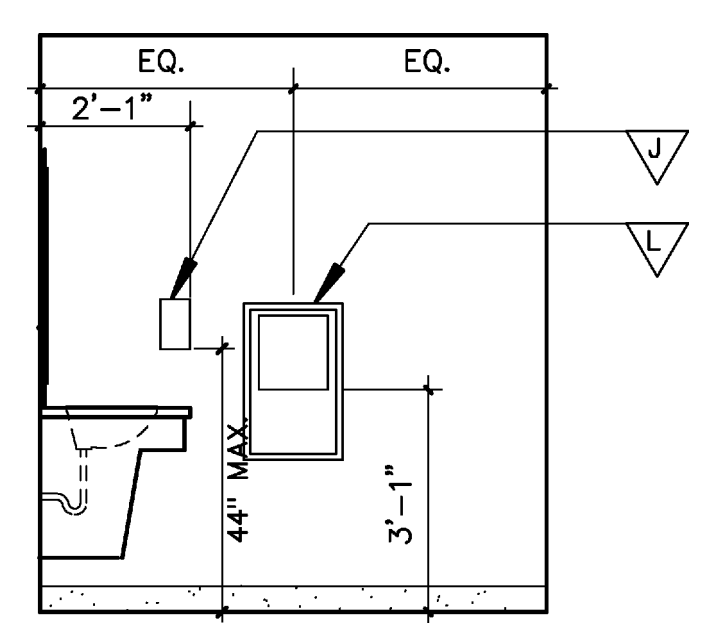
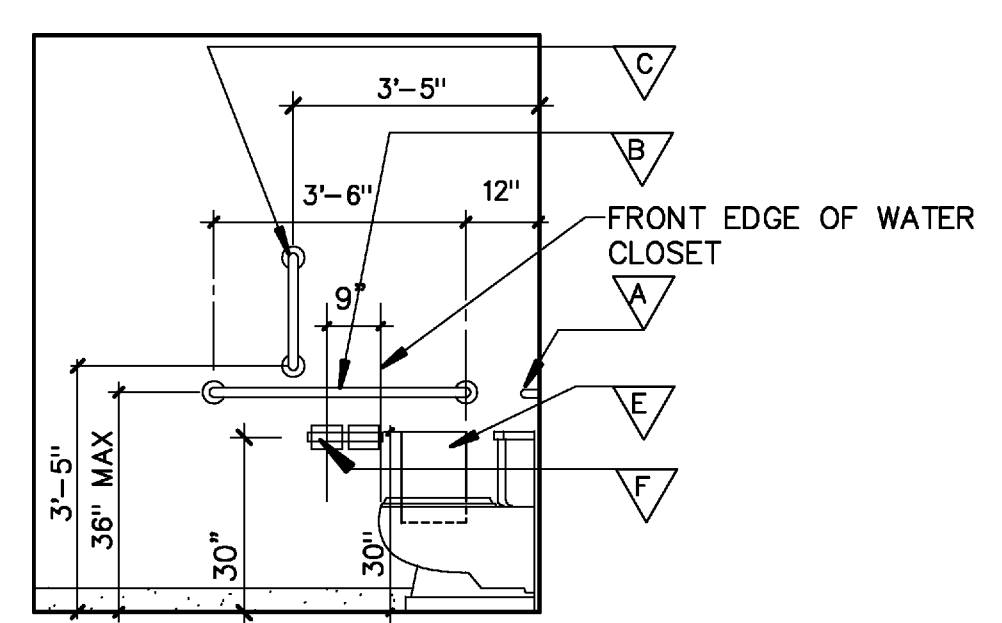


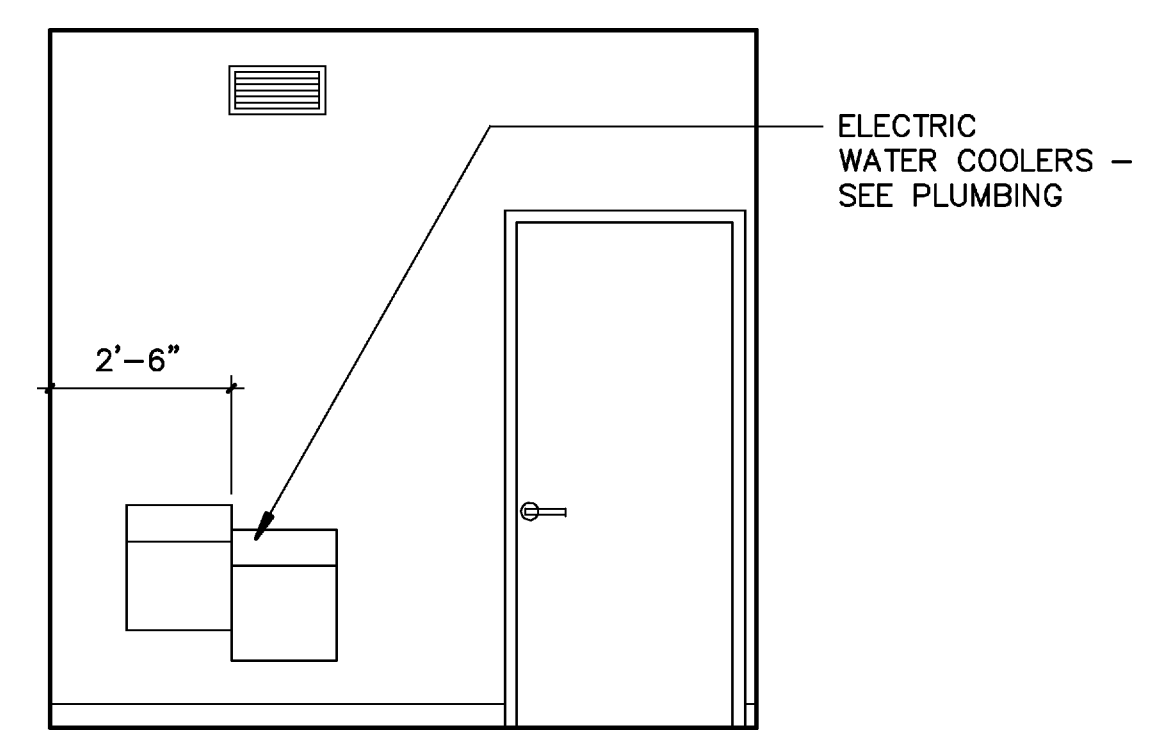
1 INTERIOR ELEV. ADA TOILET #111  
3/8" = 1'-0"



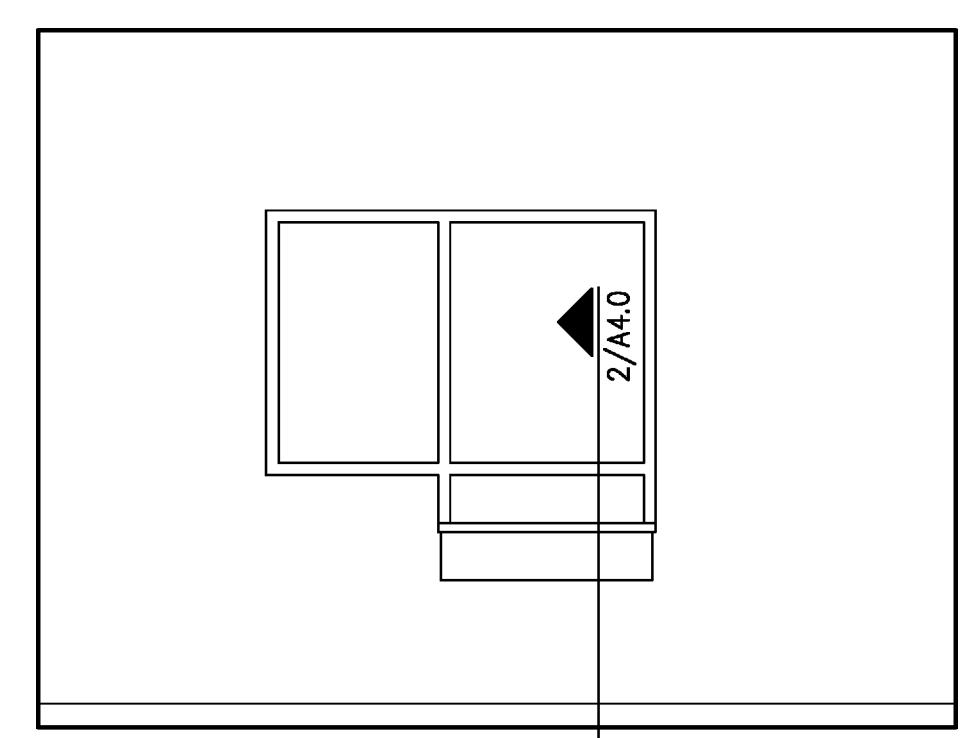
2 INTERIOR ELEV. ADA TOILET #111  
3/8" = 1'-0"



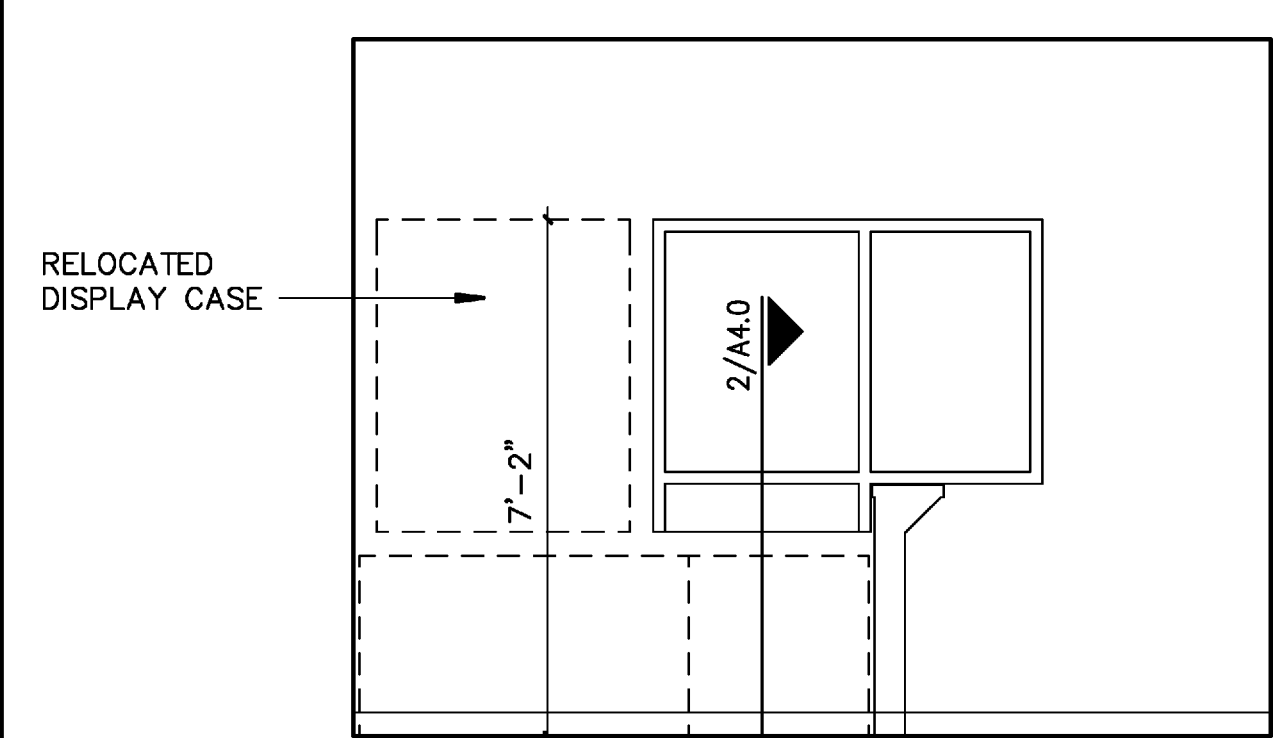
3 INTERIOR ELEV. ADA TOILET #111  
3/8" = 1'-0"



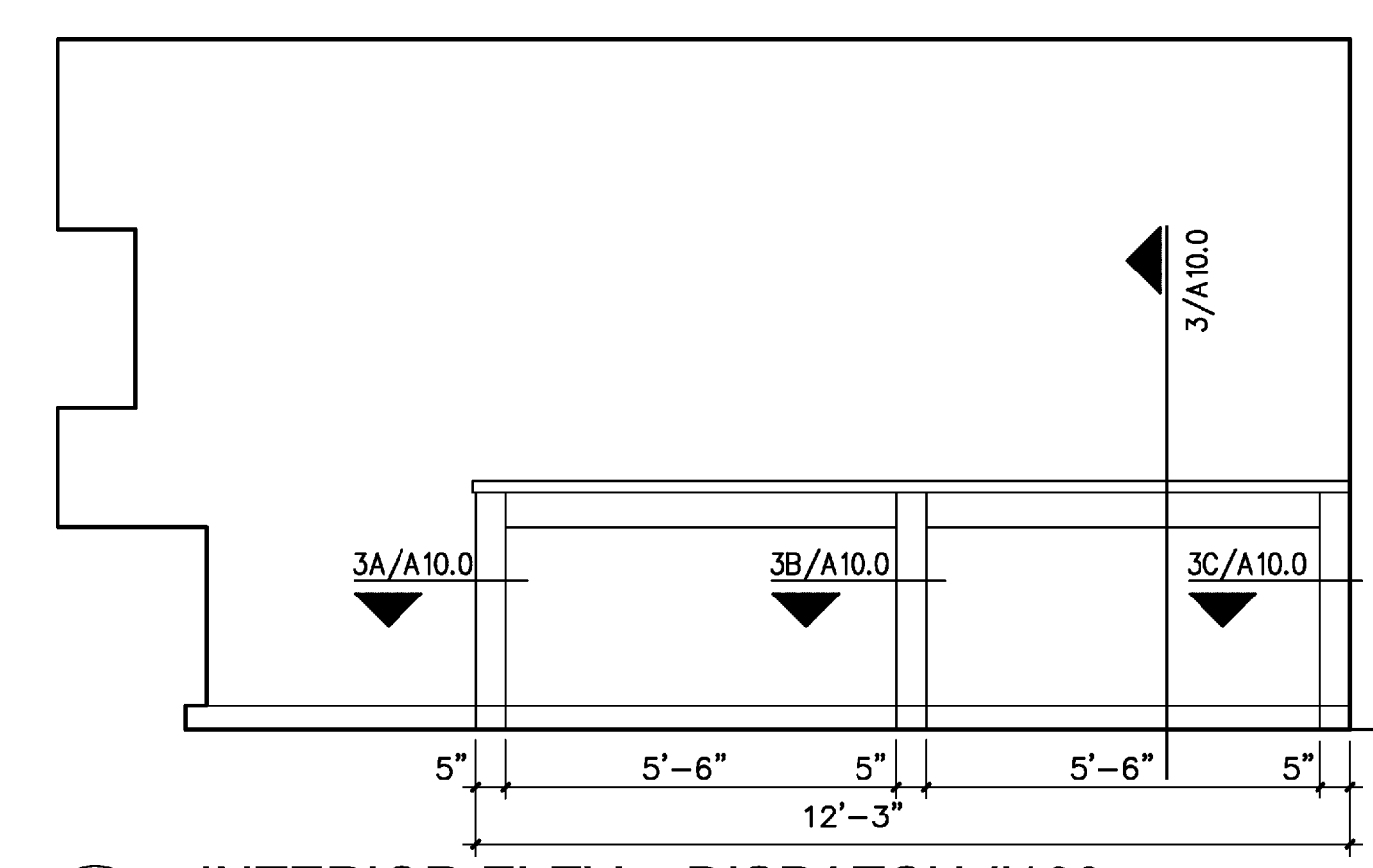
4 INTERIOR ELEV. WAITING 100  
3/8" = 1'-0"



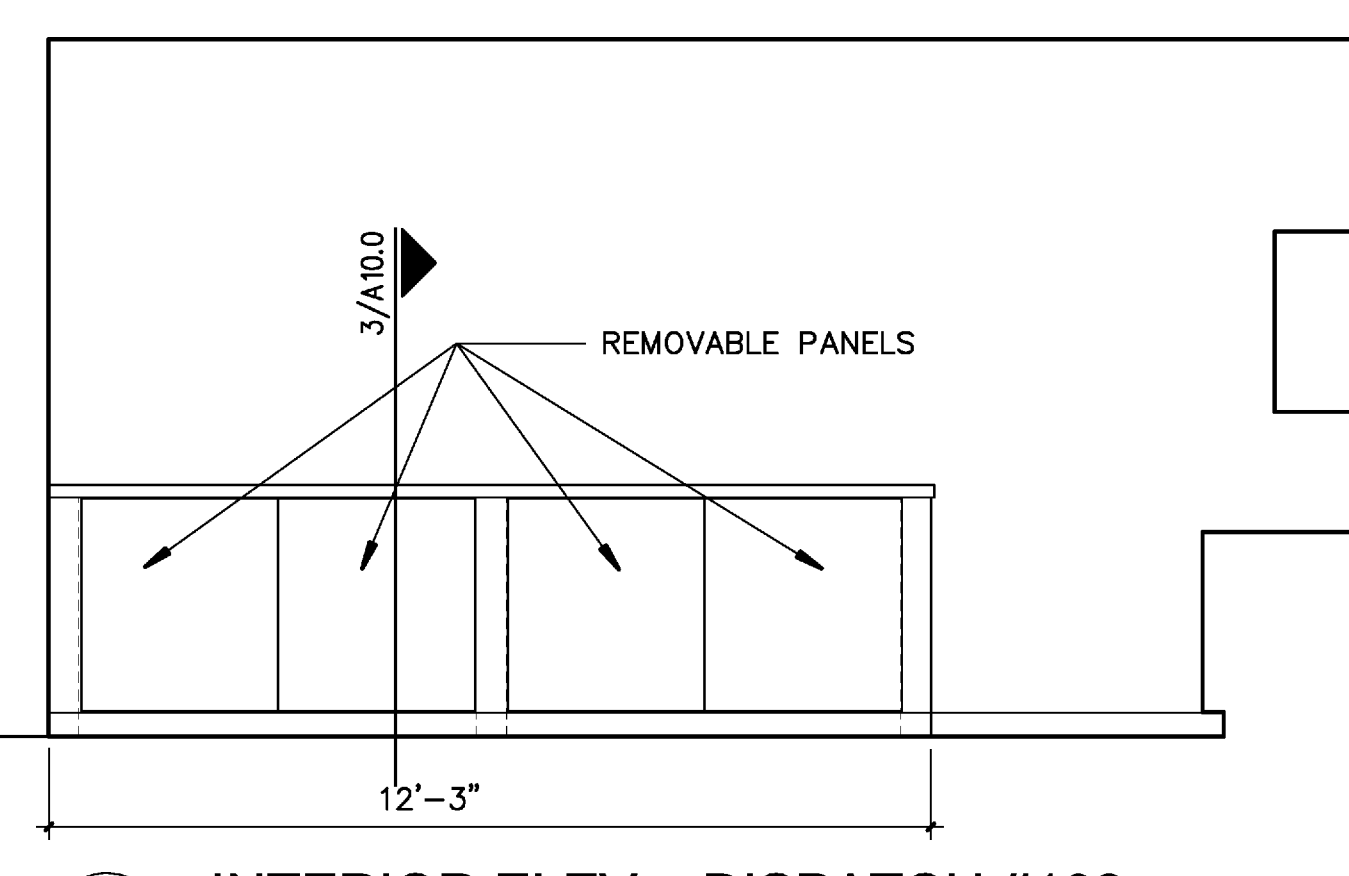
5 INTERIOR ELEV. WAITING 100  
3/8" = 1'-0"



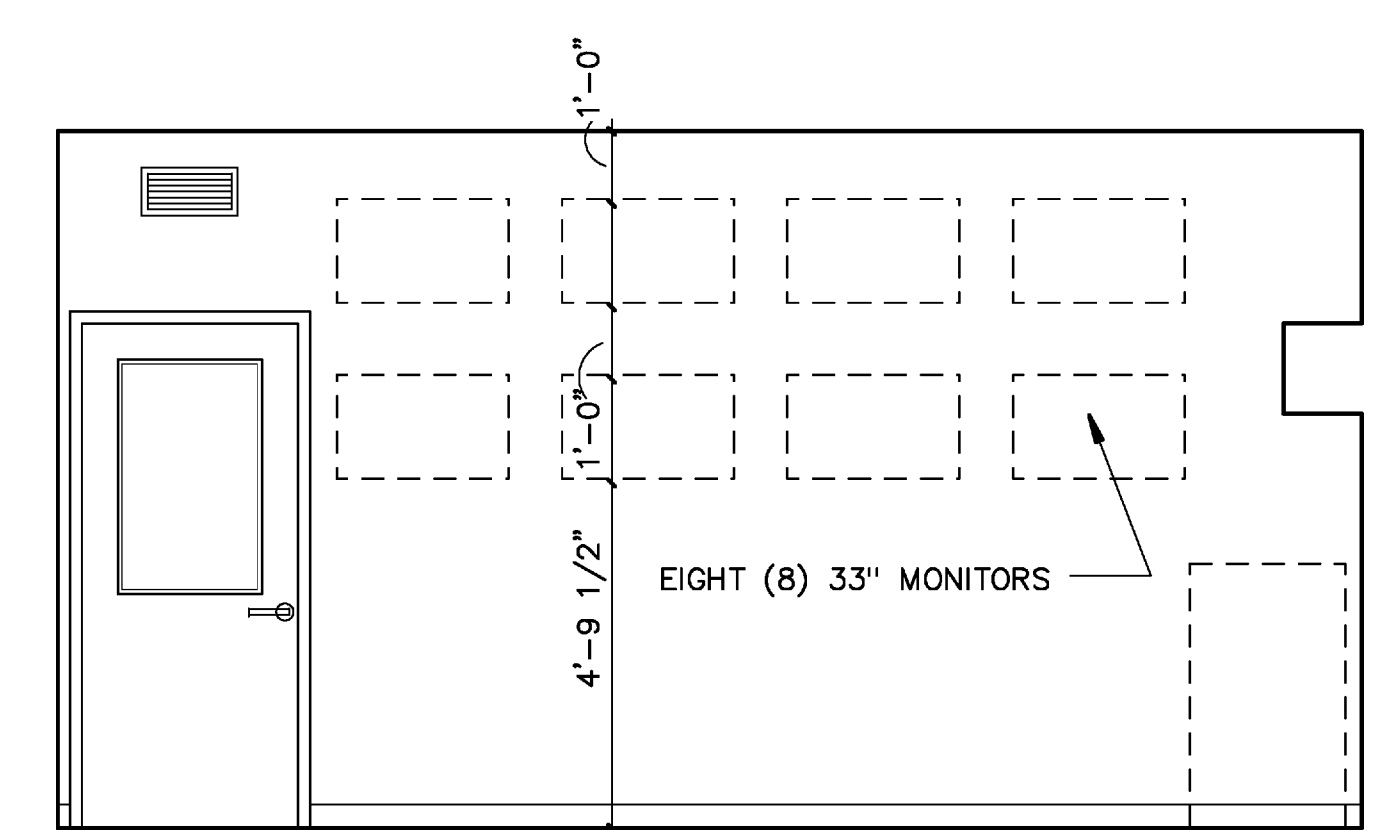
6 INTERIOR ELEV. - DISPATCH #102  
3/8" = 1'-0"



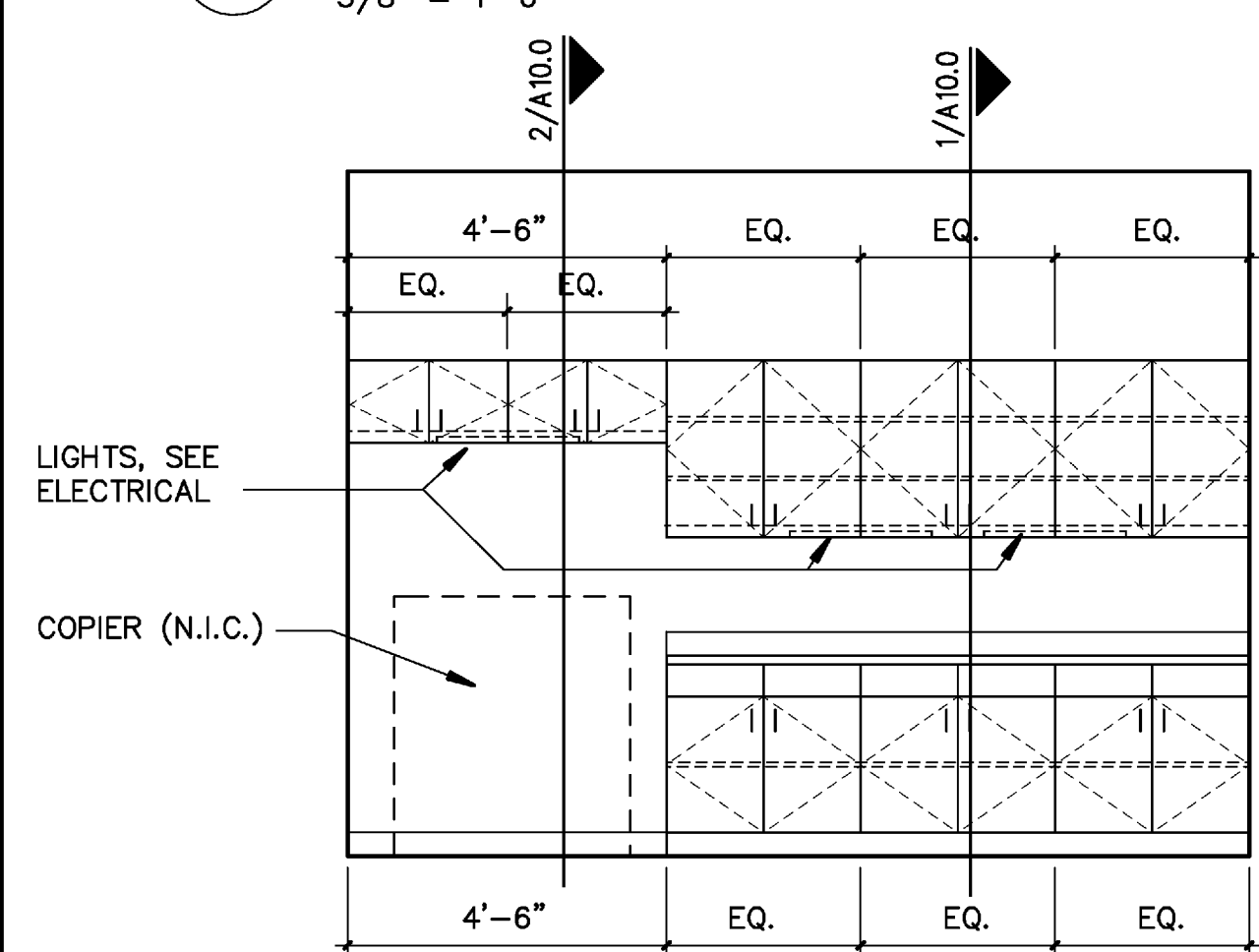
7 INTERIOR ELEV. - DISPATCH #102  
3/8" = 1'-0"



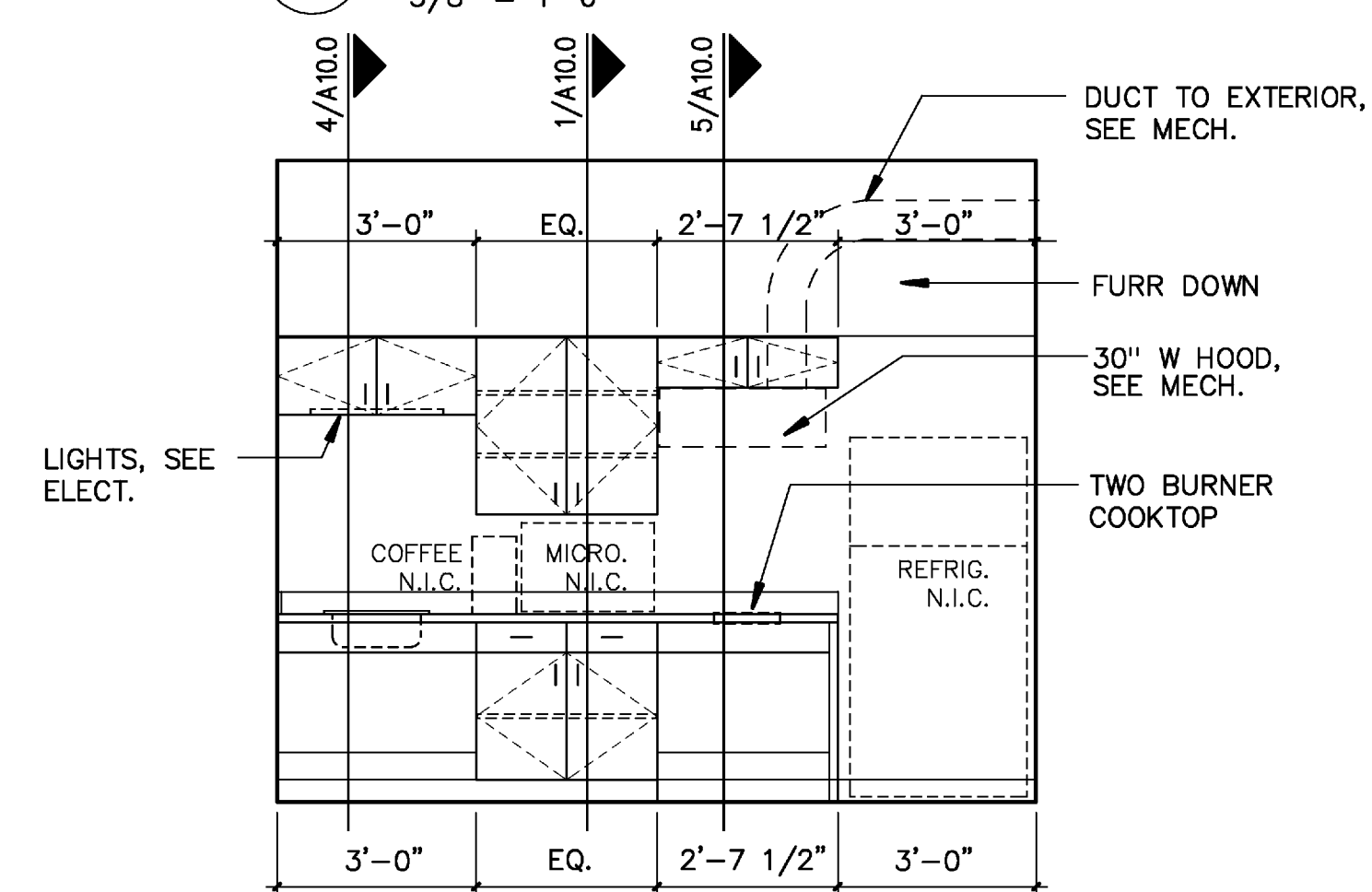
8 INTERIOR ELEV. - DISPATCH #102  
3/8" = 1'-0"



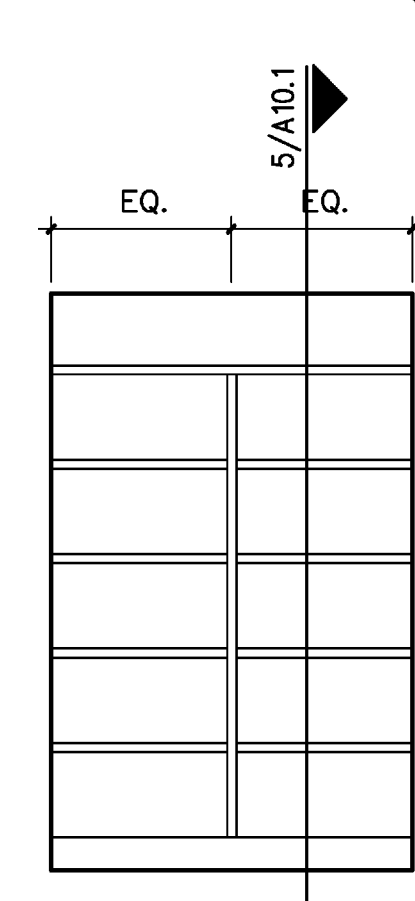
9 INTERIOR ELEV. - DISPATCH #102  
3/8" = 1'-0"



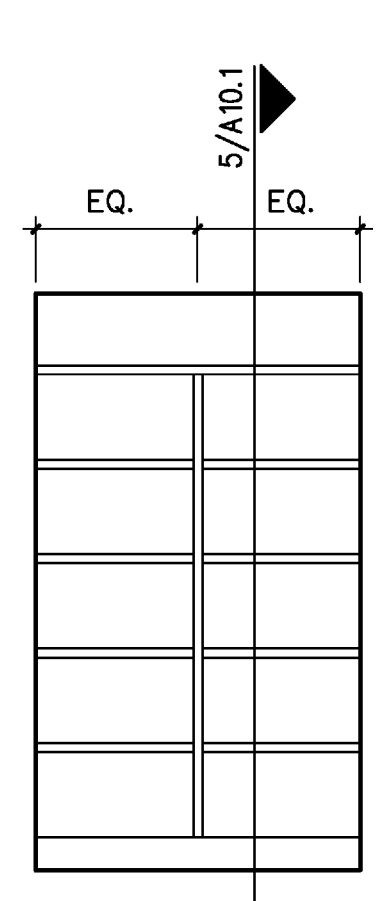
10 INTERIOR ELEV. - DISPATCH #102  
3/8" = 1'-0"



11 INTERIOR ELEV - CONFERENCE BREAK ROOM #106  
3/8" = 1'-0"



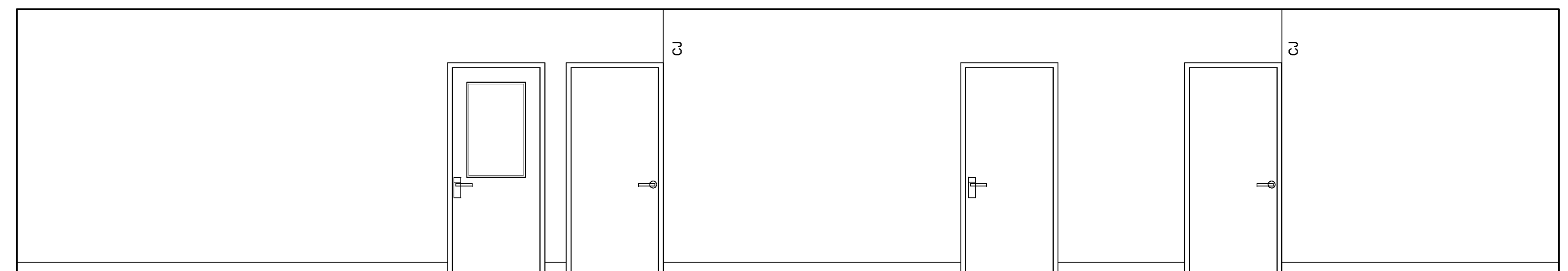
12 INTERIOR ELEV SUPPLY #103  
3/8" = 1'-0"



13 INTERIOR ELEV EVIDENCE STORAGE #104  
3/8" = 1'-0"

**TOILET ACCESSORIES**

- A 36" GRAB BAR
- B 42" GRAB BAR
- C 18" GRAB BAR
- D 18" WIDE X 36" HIGH, FRAMED MIRROR
- E SANITARY NAPKIN DISPOSAL: SURFACE MOUNT
- F TOILET PAPER HOLDER (TWO ROLL): SURFACE MOUNT
- G COAT HOOK
- H HAND DRYER: SURFACE MOUNT
- J SOAP DISPENSER: SURFACE MOUNT
- K CURTAIN ROD
- L HAND DRYER: SURFACE MOUNT WITH RECESS KIT
- M BULK TOILET PAPER HOLDER: SURFACE MOUNT
- N 24" TOWEL BAR
- P SHOWER CURTAIN and CURTAIN HOOKS
- Q 24" WIDE X 36" HIGH FRAMED MIRROR



14 INTERIOR ELEV. - CORRIDOR #101  
3/8" = 1'-0"

REVISIONS


ISSUE DATE  
JULY 1, 2016

PROJECT NO.  
0901U

CONTENTS  
INTERIOR ELEVATIONS -  
POLICE STATION  
ADDITION

SHEET NUMBER

**A9.0**