

**Fire Station Renovation and  
Police Station Addition**  
Building 7200 - Camp Joseph T. Robinson  
North Little Rock, Arkansas

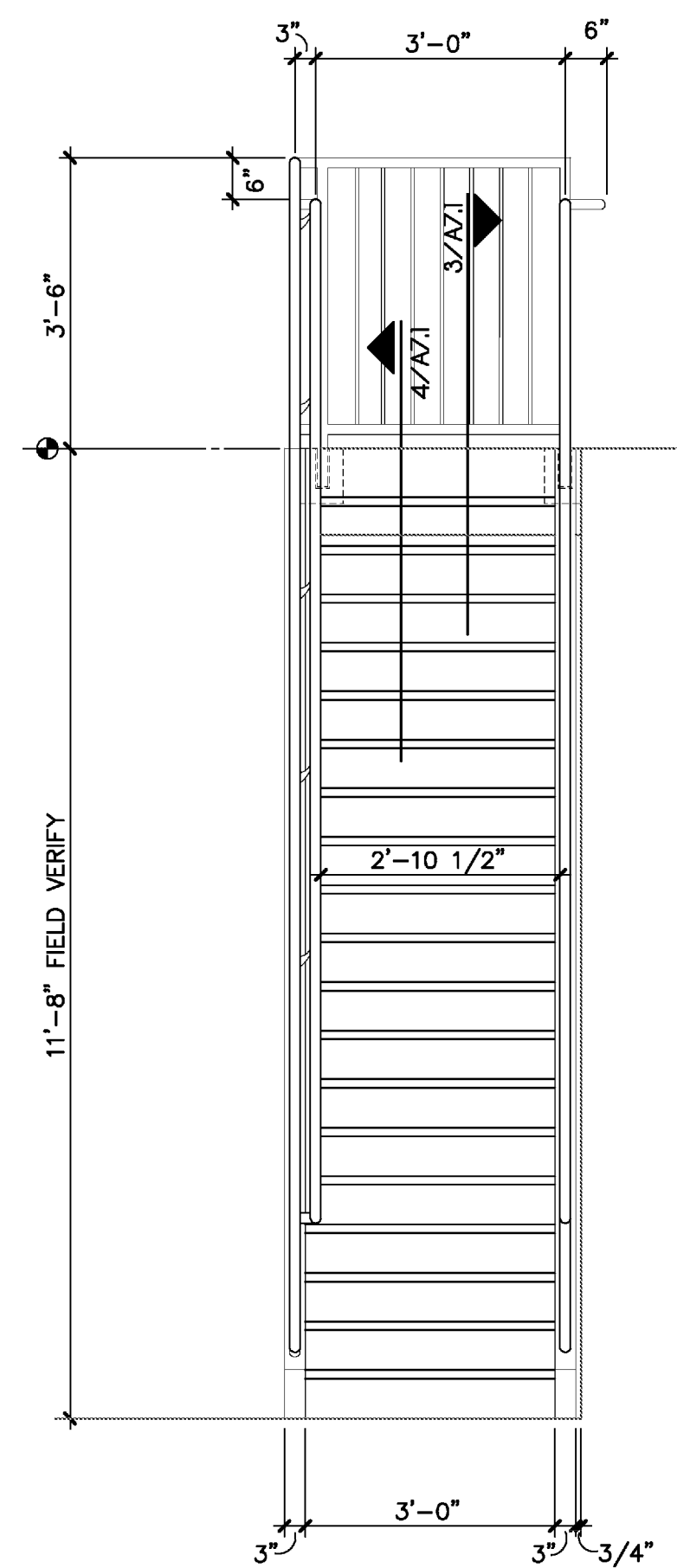
REVISIONS

ISSUE DATE  
JULY 1, 2016  
PROJECT NO.  
0901U

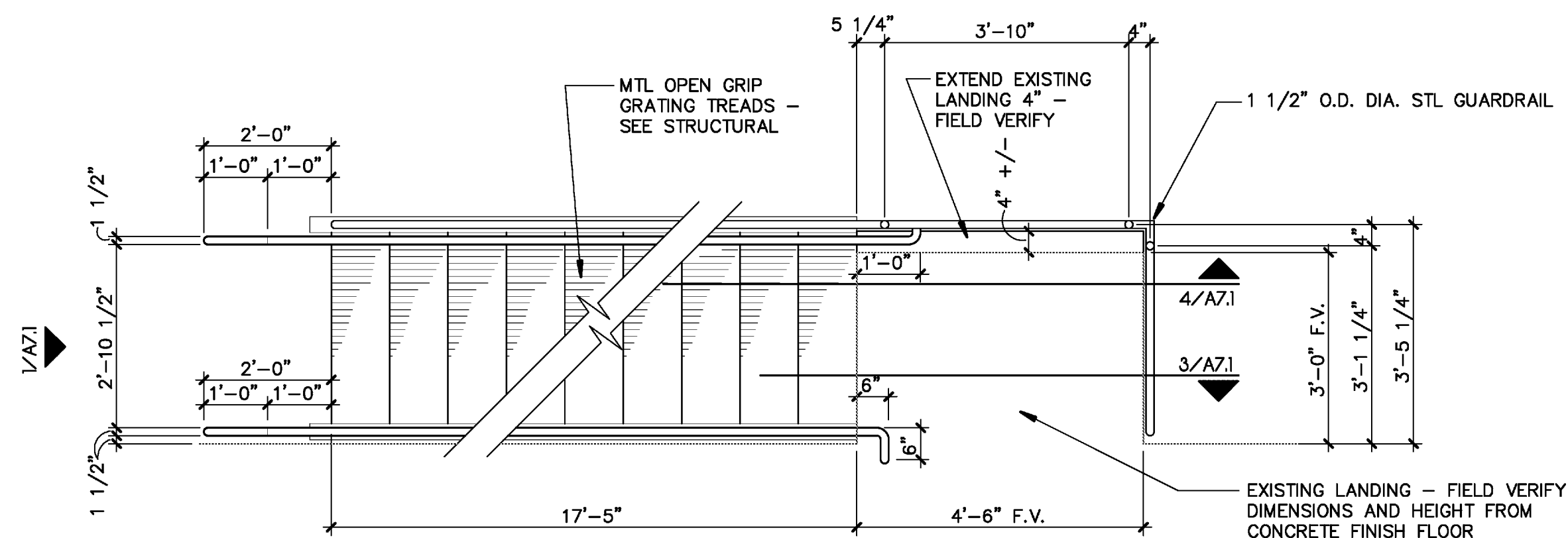
CONTENTS  
STAIR PLAN AND  
SECTIONS

SHEET NUMBER

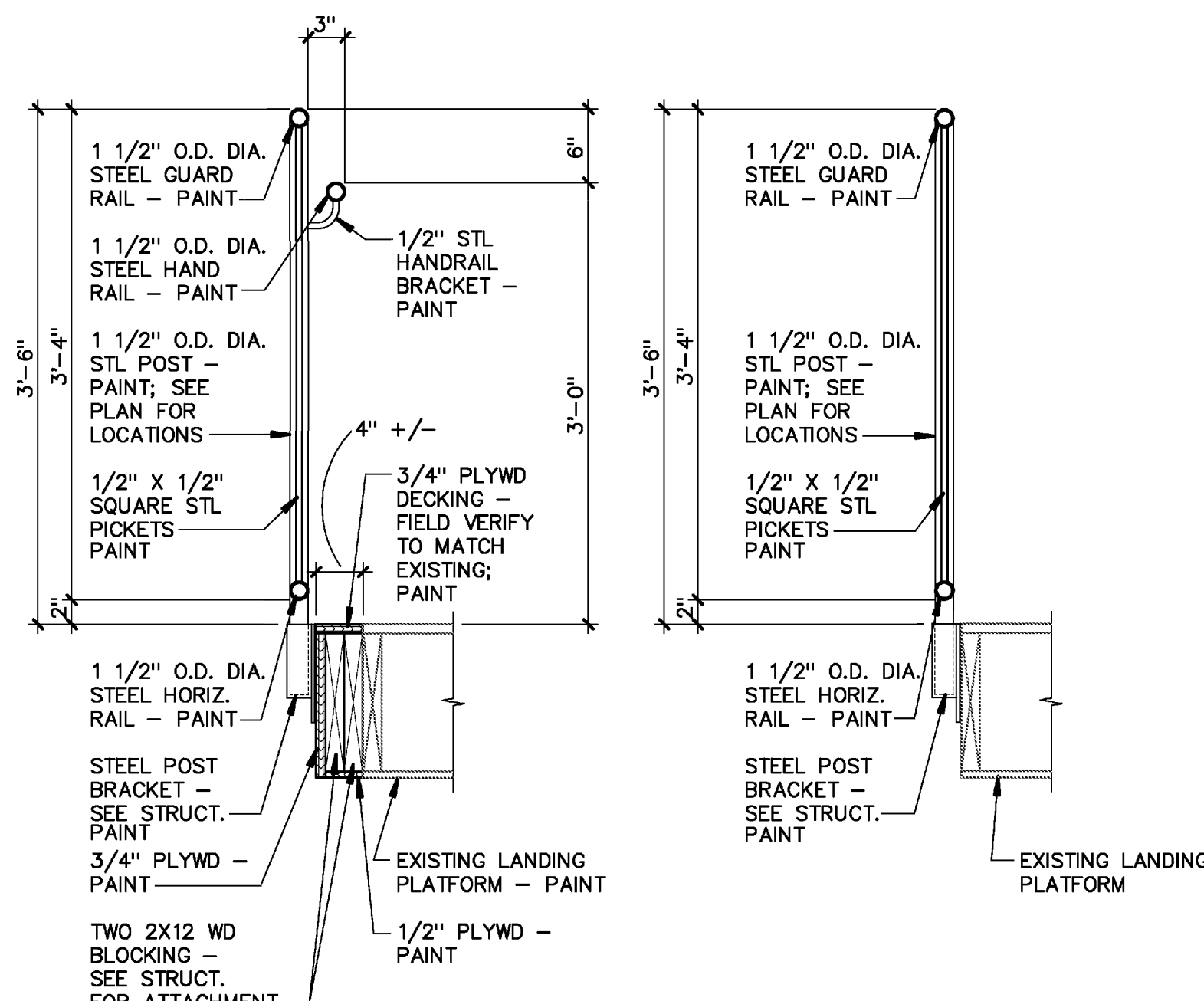
**A7.1**



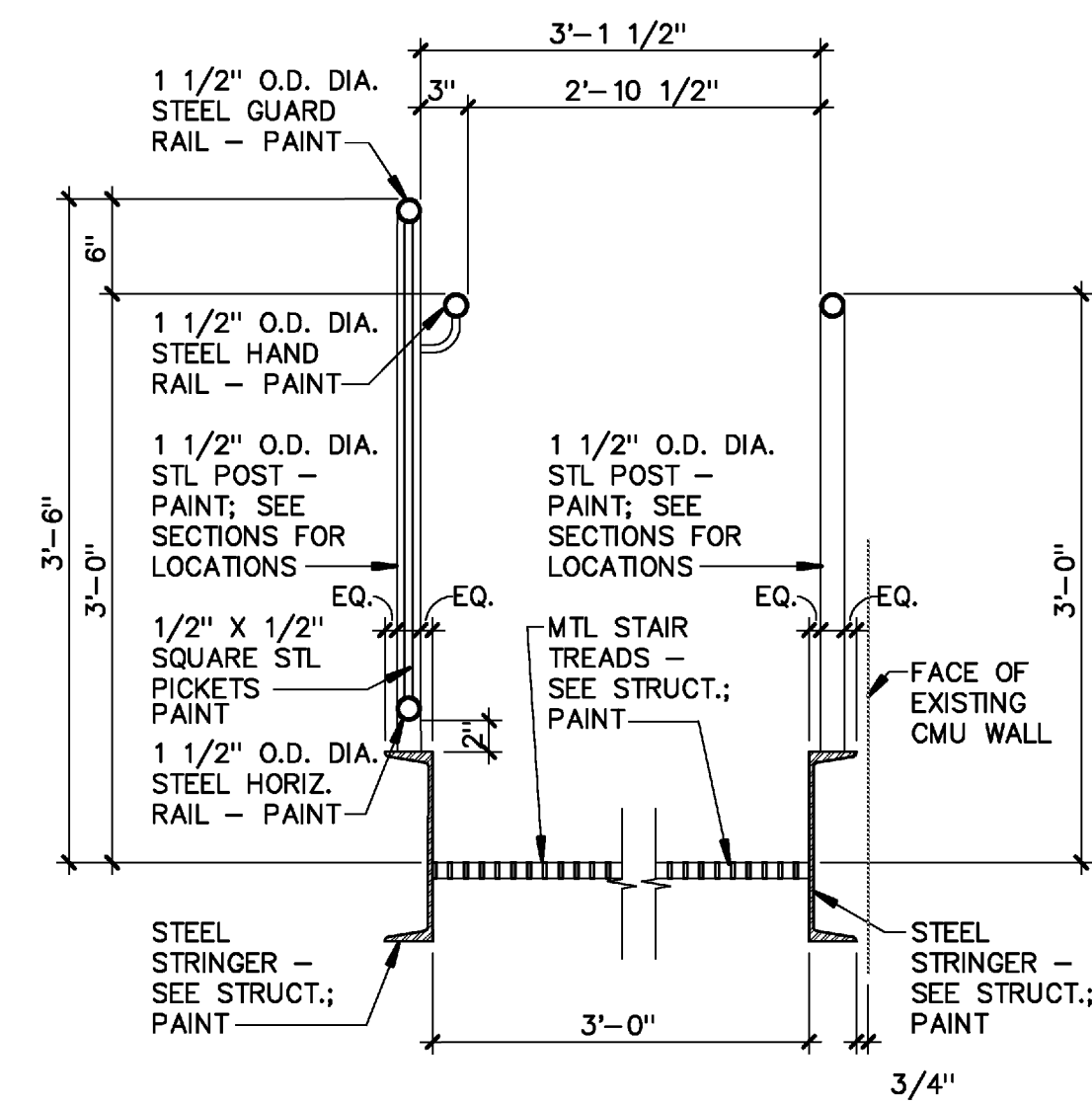
**1 STAIR ELEVATION**  
1/2" = 1'-0"



**2 ENLARGED STAIR PLAN**  
1/2" = 1'-0"

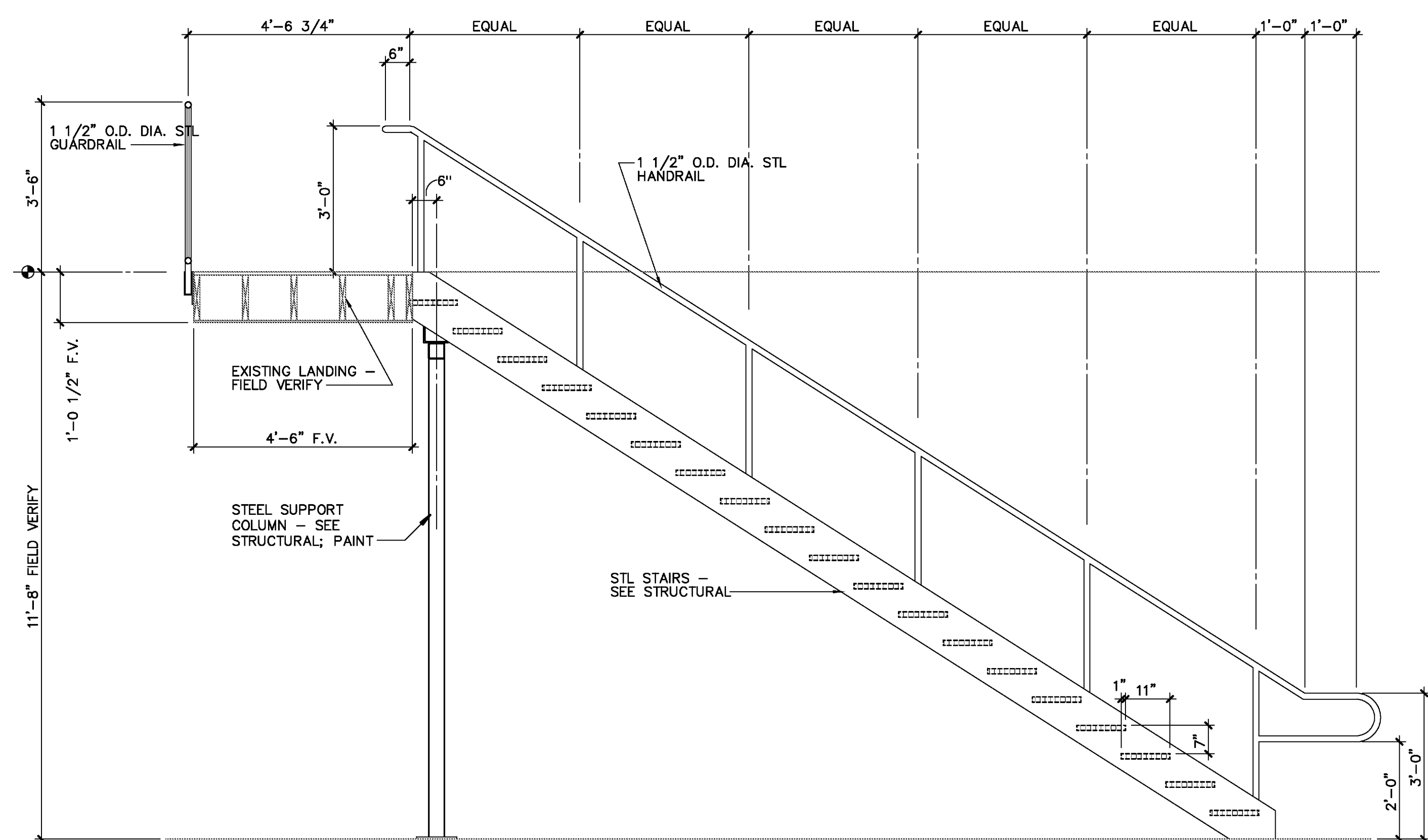


**5 STAIR DETAIL**  
1" = 1'-0"

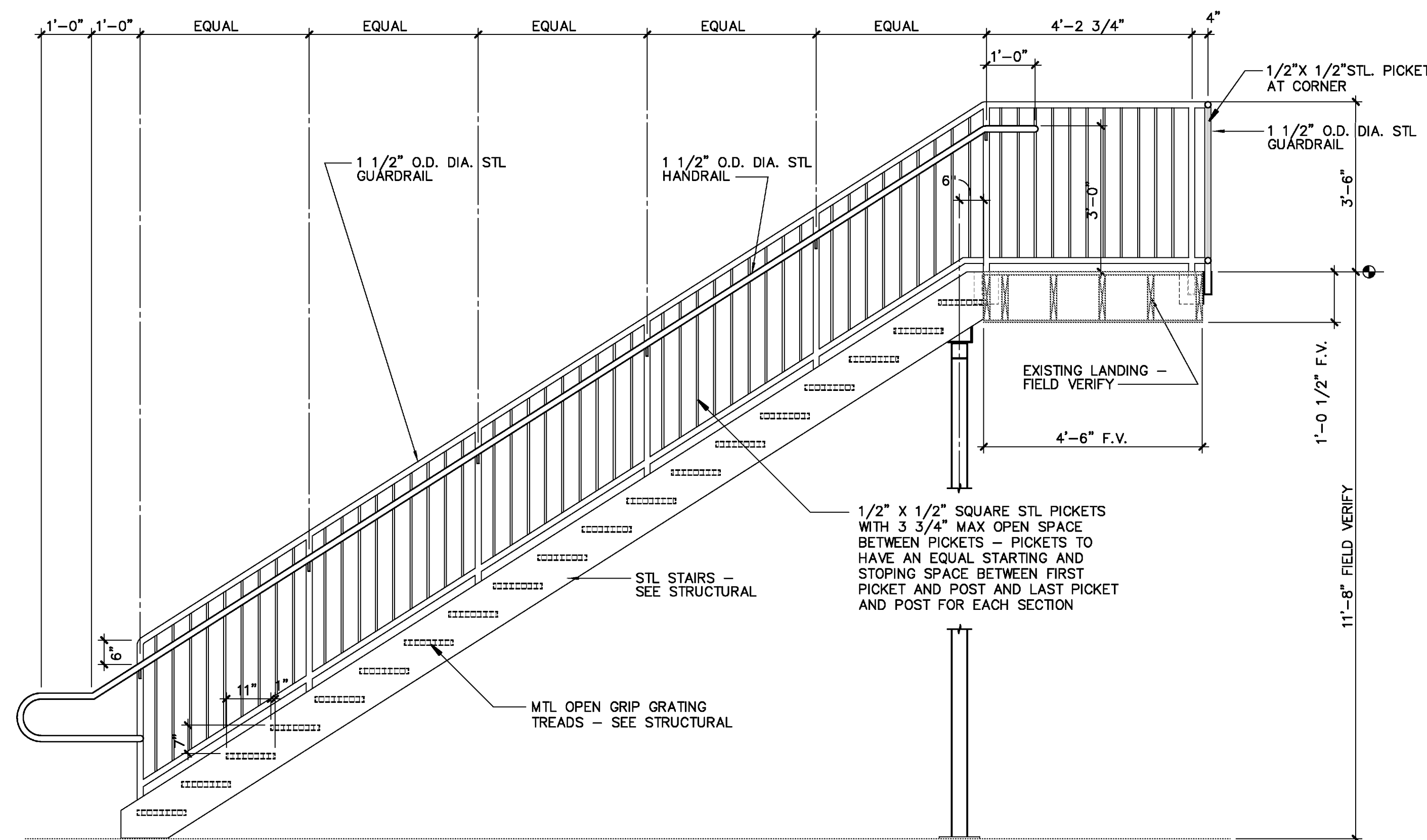


**6 STAIR DETAIL**  
1" = 1'-0"

**7 STAIR DETAIL**  
1" = 1'-0"



**3 STAIR SECTION**  
1/2" = 1'-0"



**4 STAIR SECTION**  
1/2" = 1'-0"