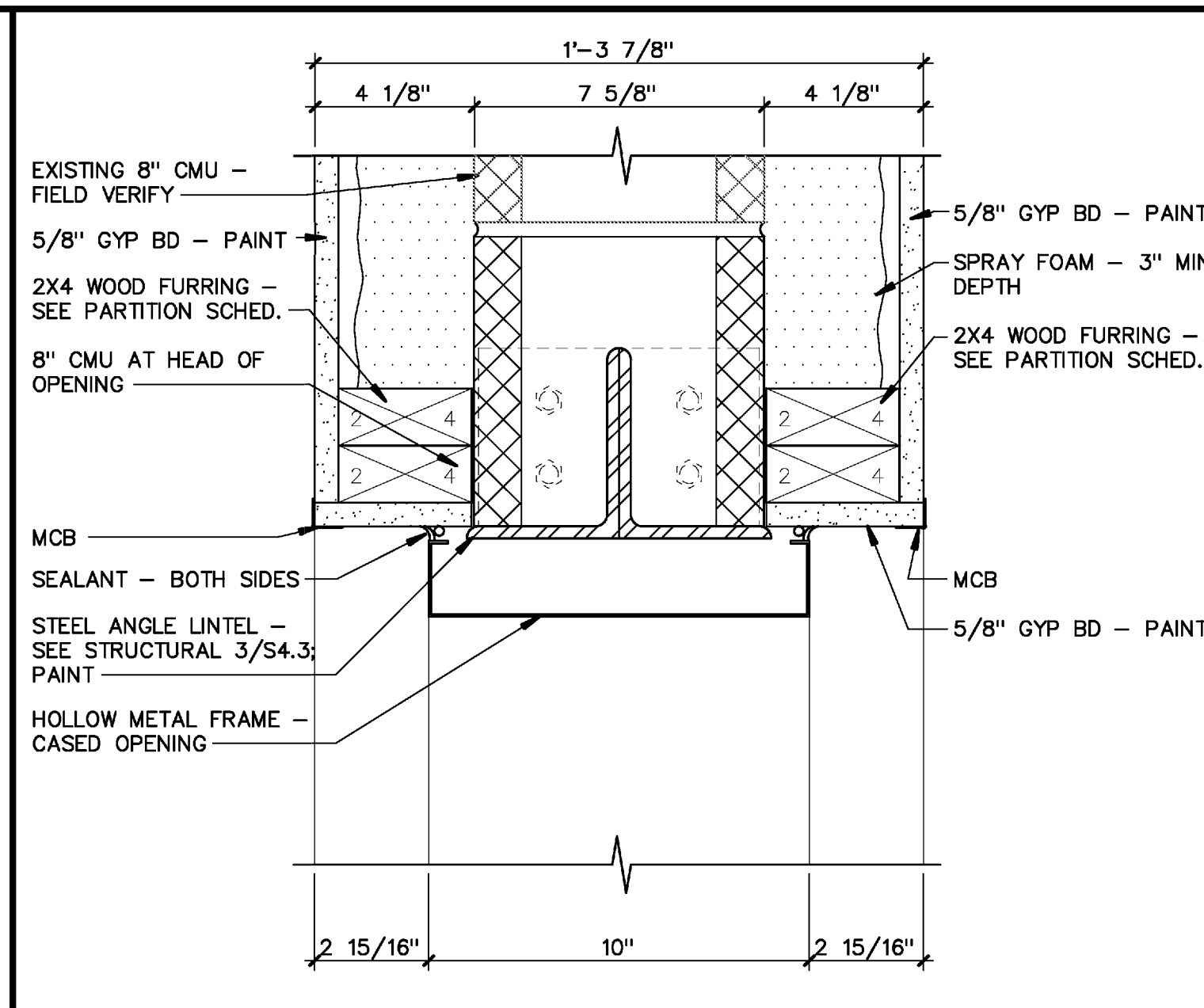
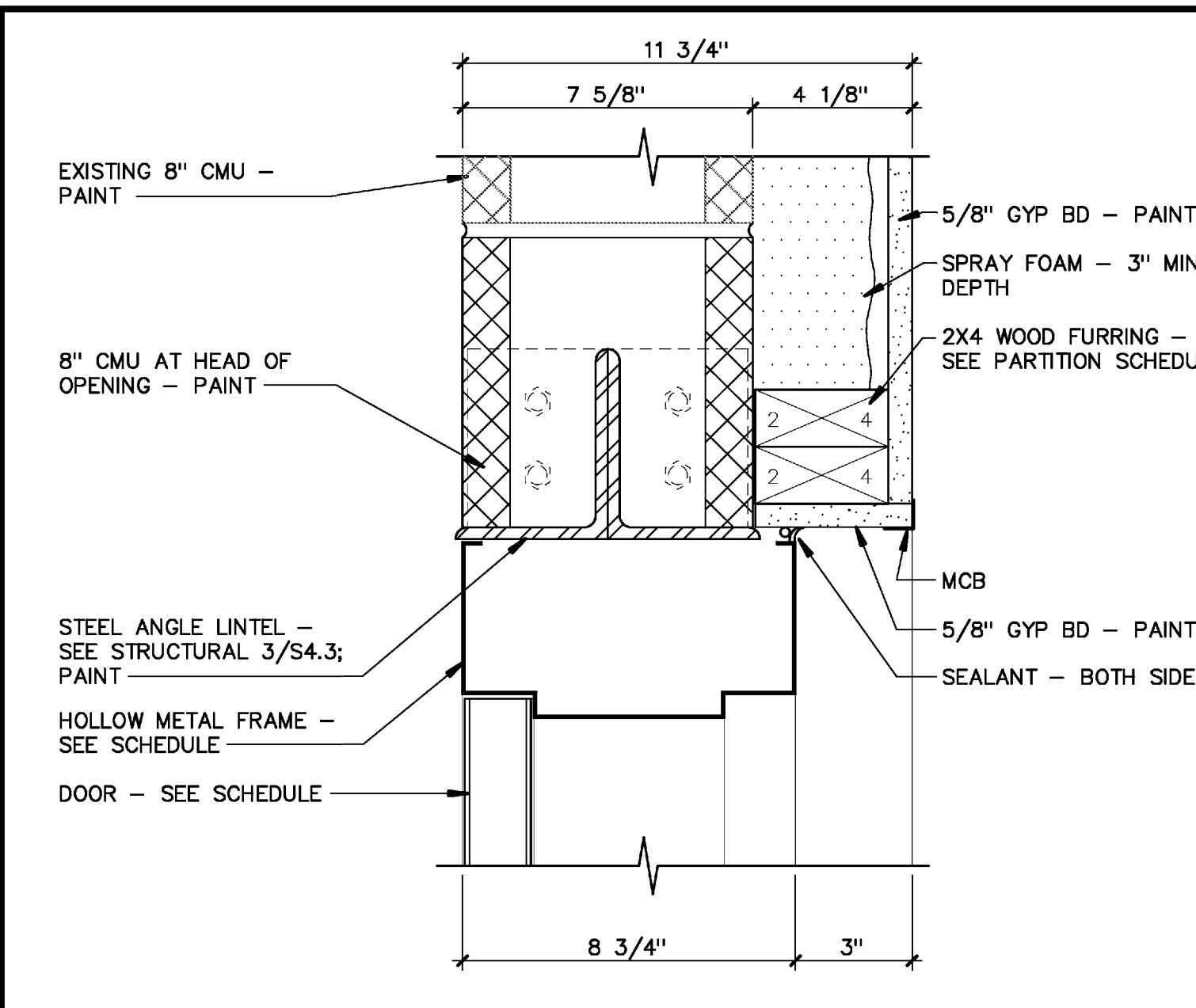


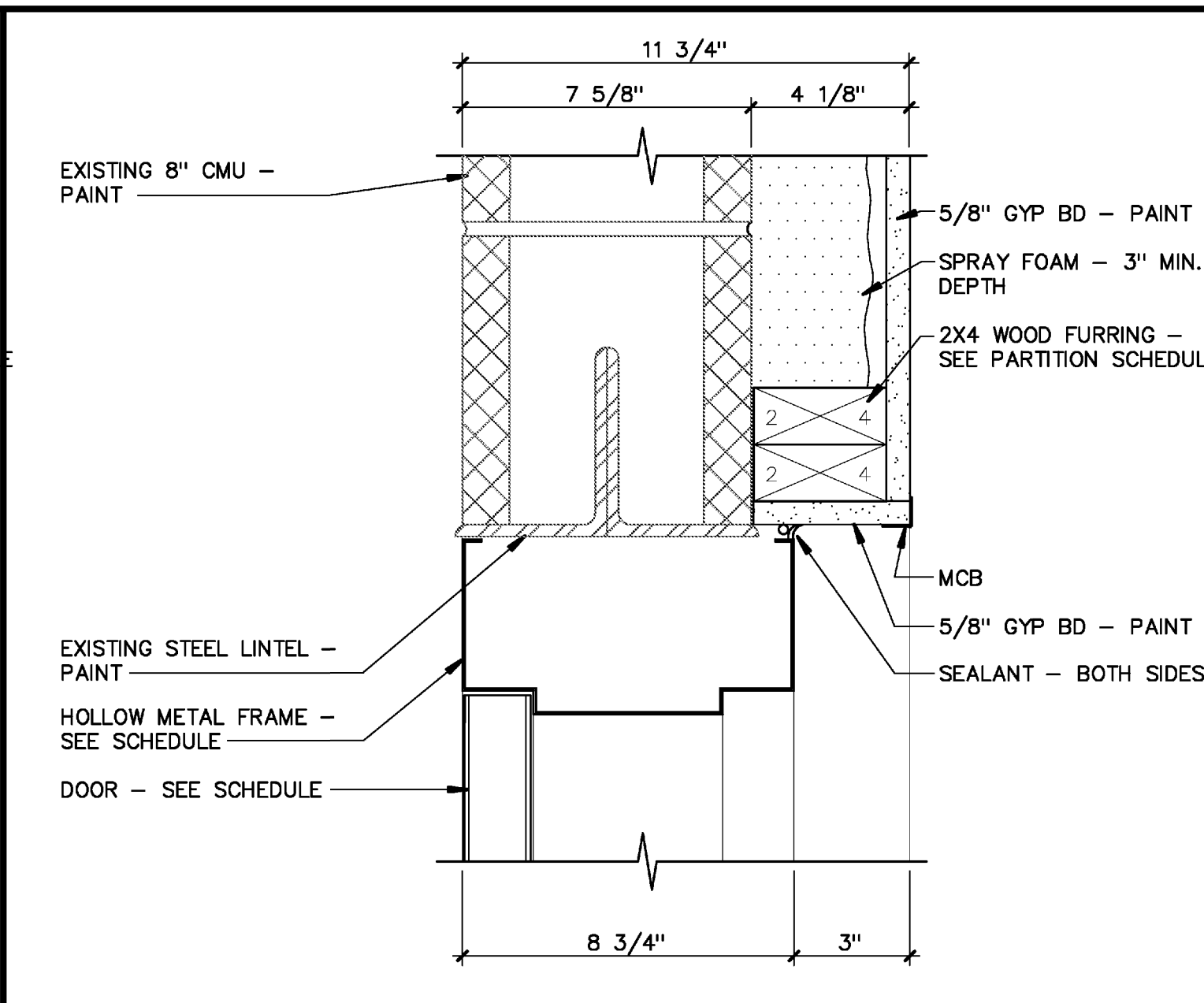
**1** HLW MTL DOOR HEAD DETAIL  
SCALE: 3"=1'-0"



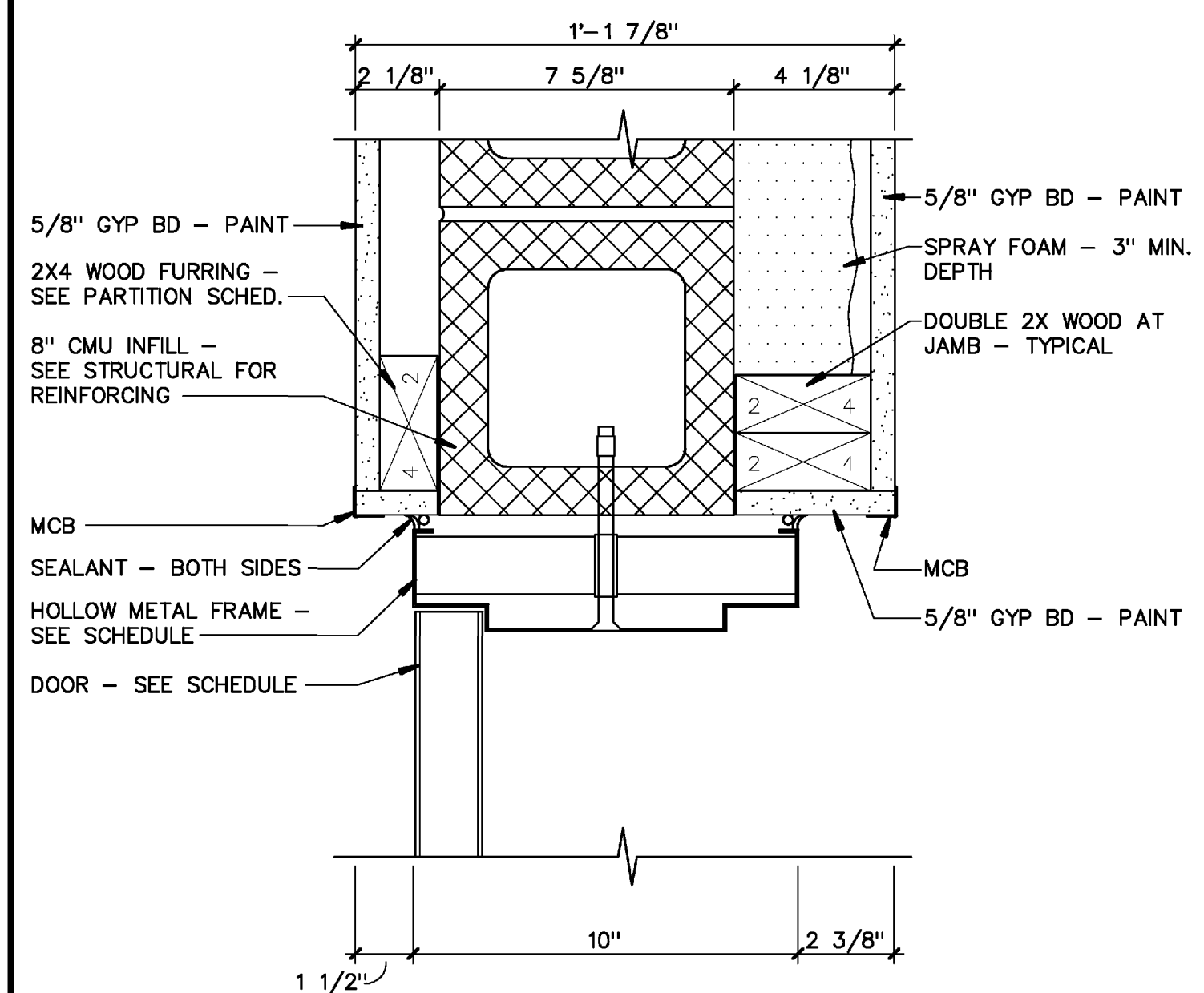
**2** HLW MTL CASSED OPENING HEAD DETAIL  
SCALE: 3"=1'-0"



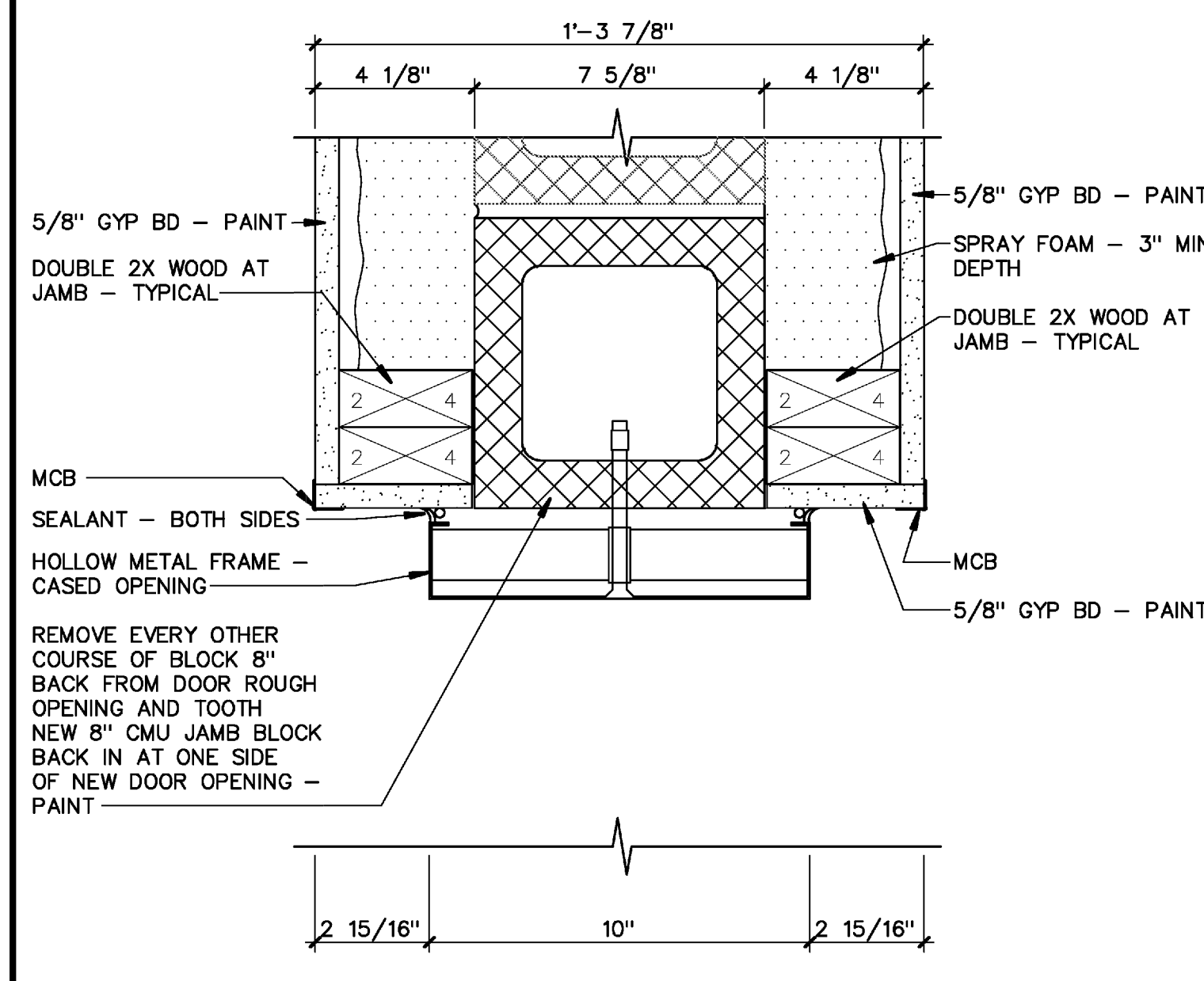
**3** HLW MTL DOOR HEAD DETAIL  
SCALE: 3"=1'-0"



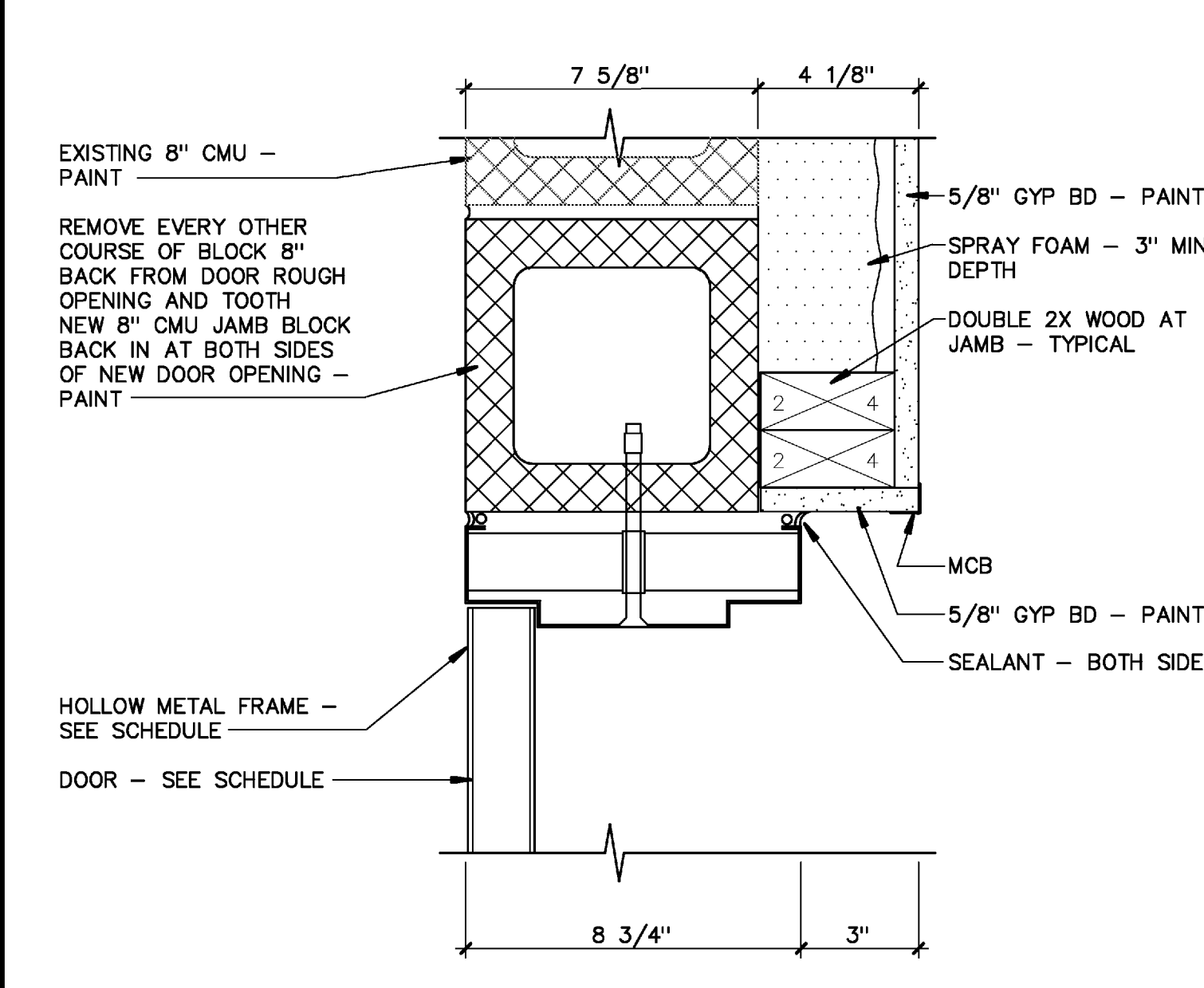
**4** HLW MTL DOOR HEAD DETAIL  
SCALE: 3"=1'-0"



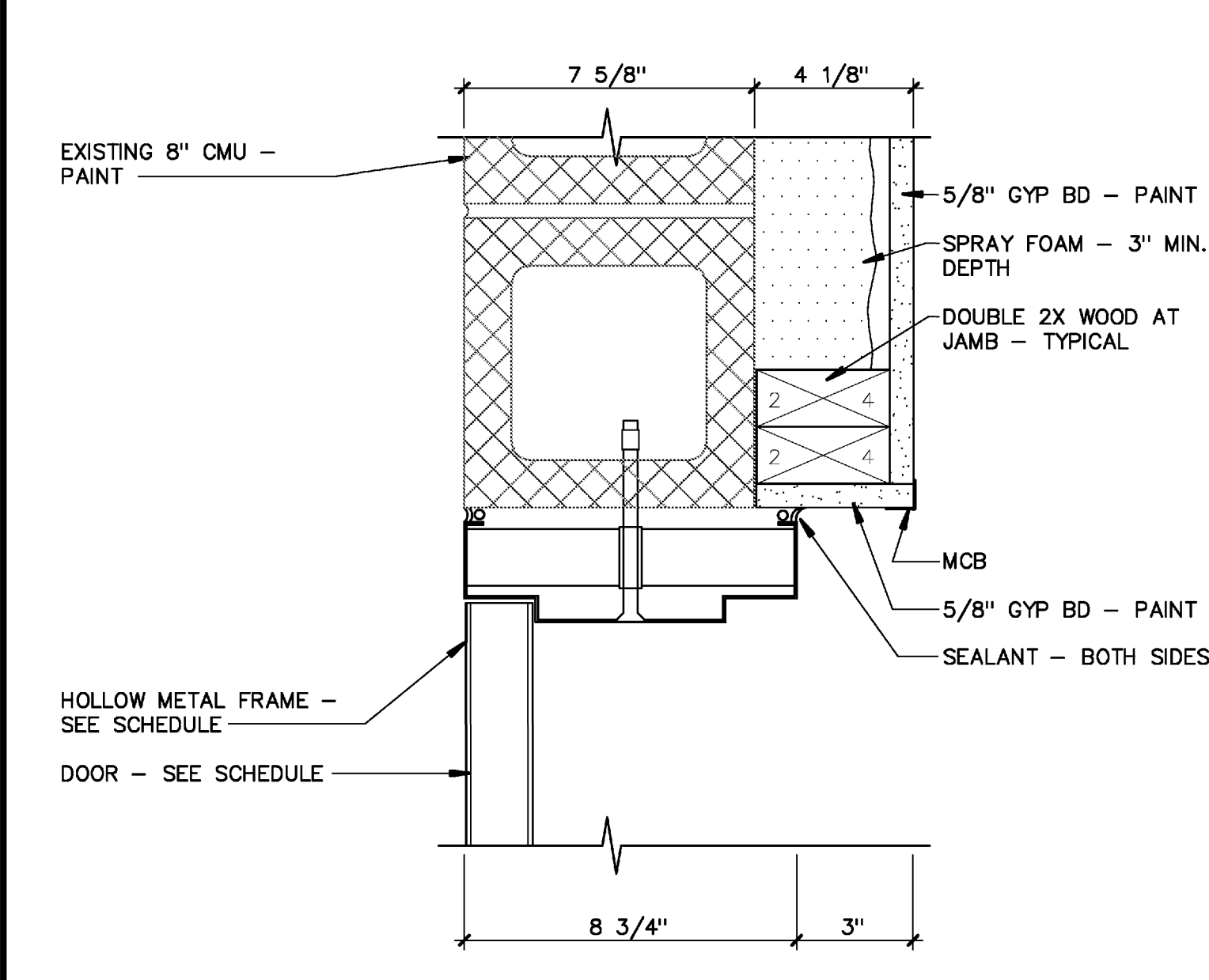
**5** HLW MTL DOOR JAMB DETAIL  
SCALE: 3"=1'-0"



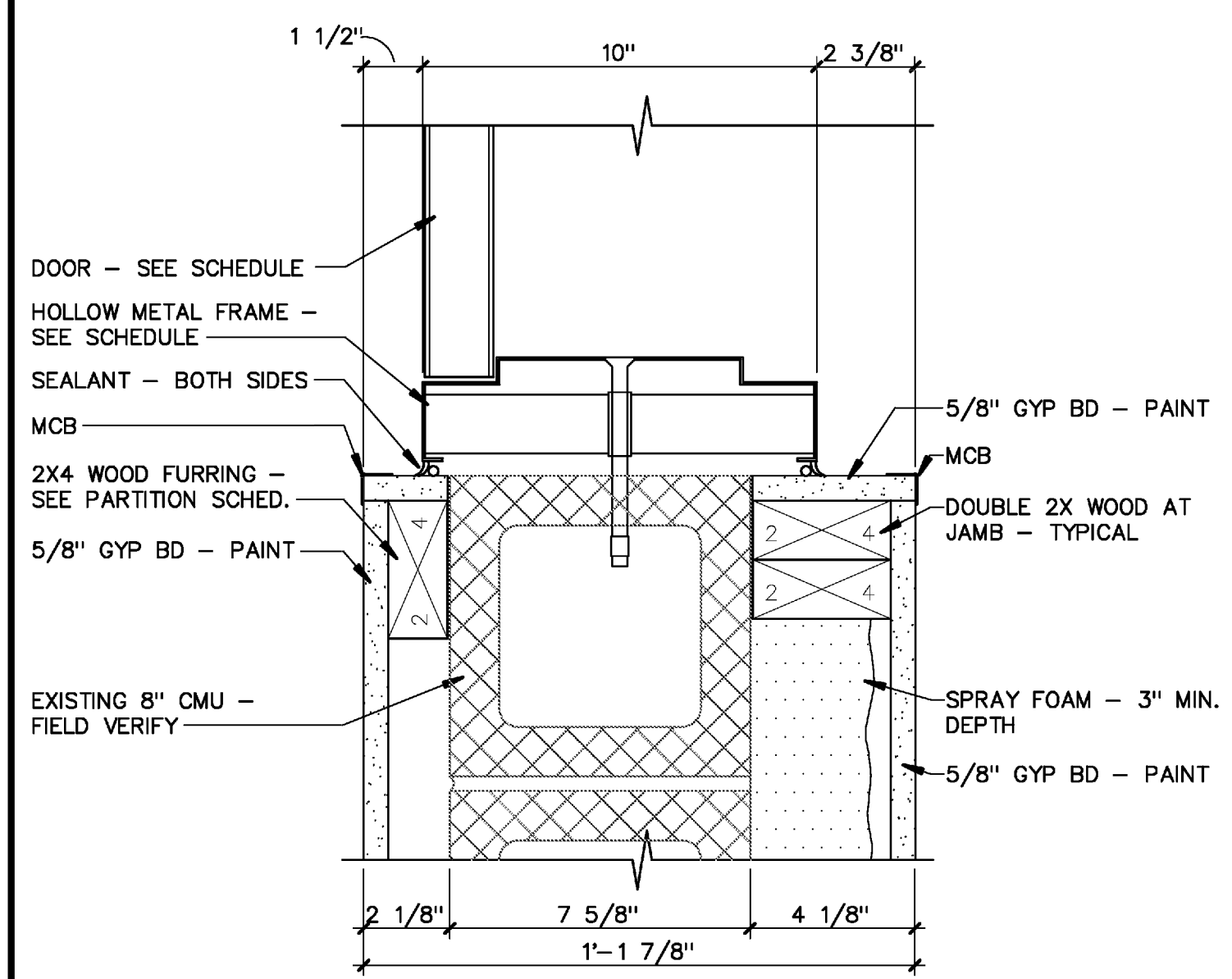
**6** HLW MTL CASSED OPENING JAMB DETAIL  
SCALE: 3"=1'-0"



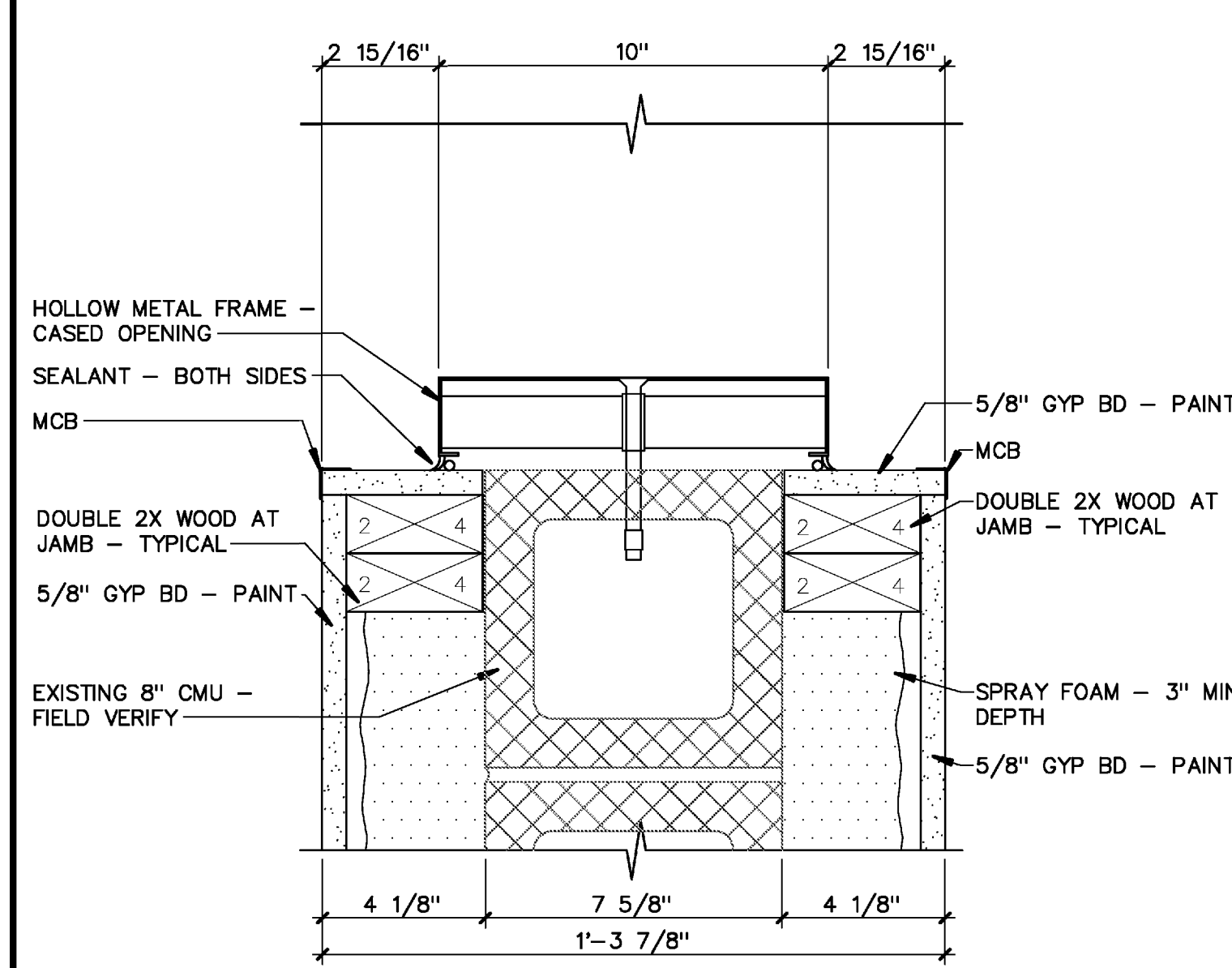
**7** HLW MTL CASSED OPENING JAMB DETAIL  
SCALE: 3"=1'-0"



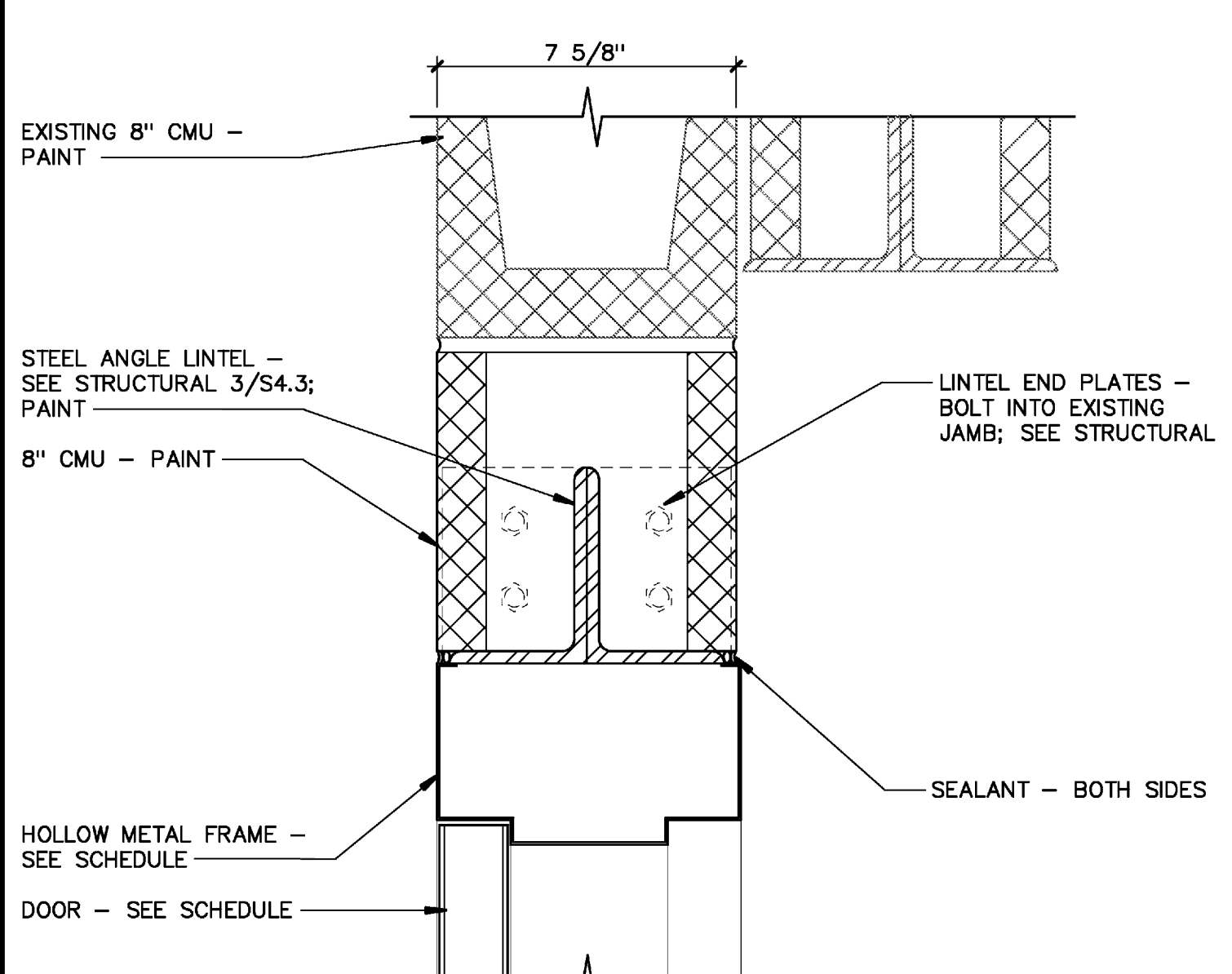
**8** HLW MTL DOOR JAMB DETAIL  
SCALE: 3"=1'-0"



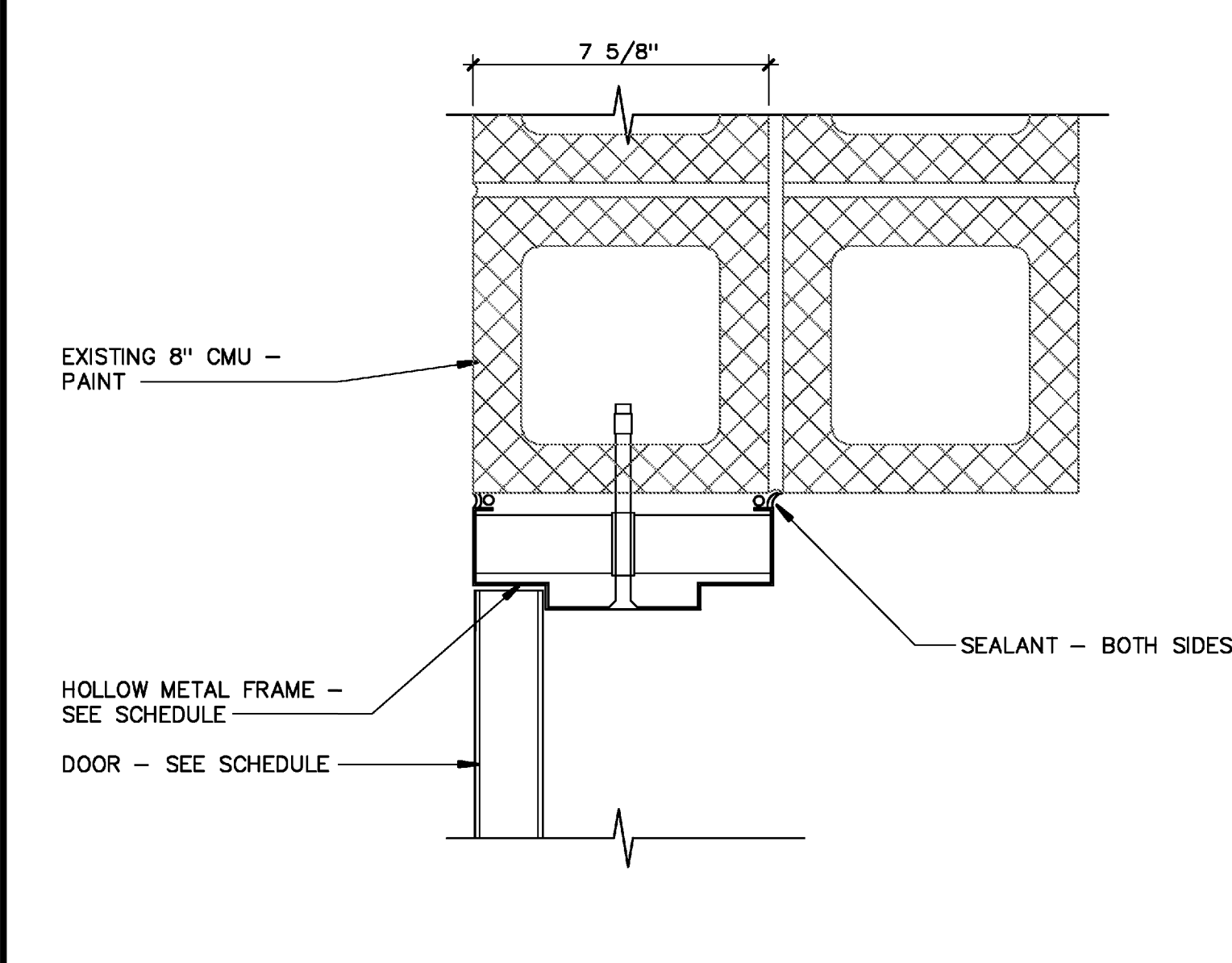
**9** HLW MTL DOOR JAMB DETAIL  
SCALE: 3"=1'-0"



**10** HLW MTL CASSED OPENING JAMB DETAIL  
SCALE: 3"=1'-0"



**11** HLW MTL DOOR HEAD DETAIL  
SCALE: 3"=1'-0"



**12** HLW MTL DOOR JAMB DETAIL  
SCALE: 3"=1'-0"



REVISIONS


ISSUE DATE  
JULY 1, 2016  
PROJECT NO.  
0901U

CONTENTS  
WINDOW AND DOOR  
DETAILS

SHEET NUMBER

**A4.3**