

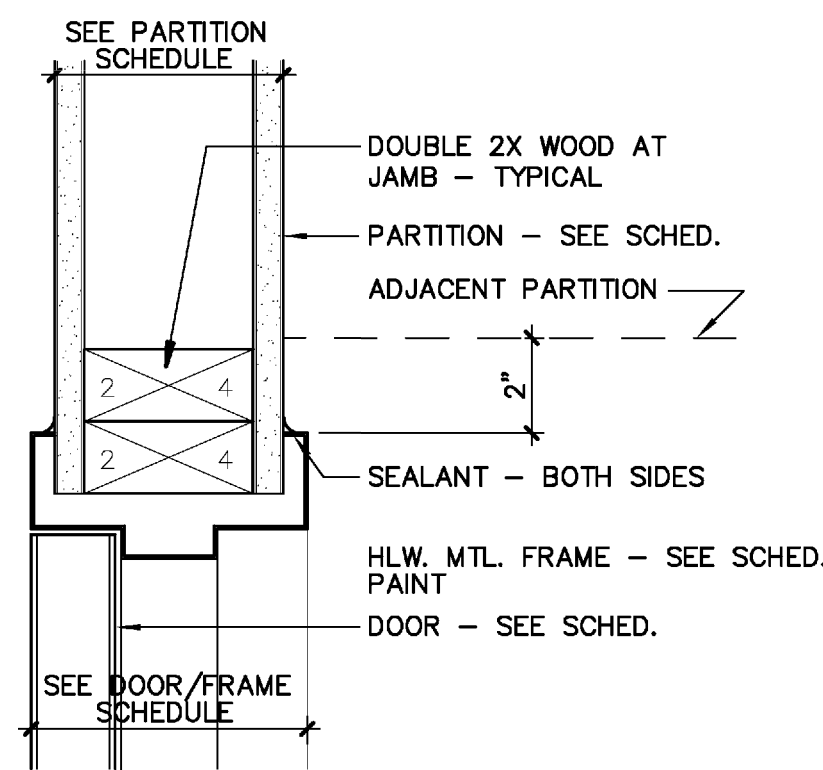
REVISIONS

ISSUE DATE
JULY 1, 2016
PROJECT NO.
0901U

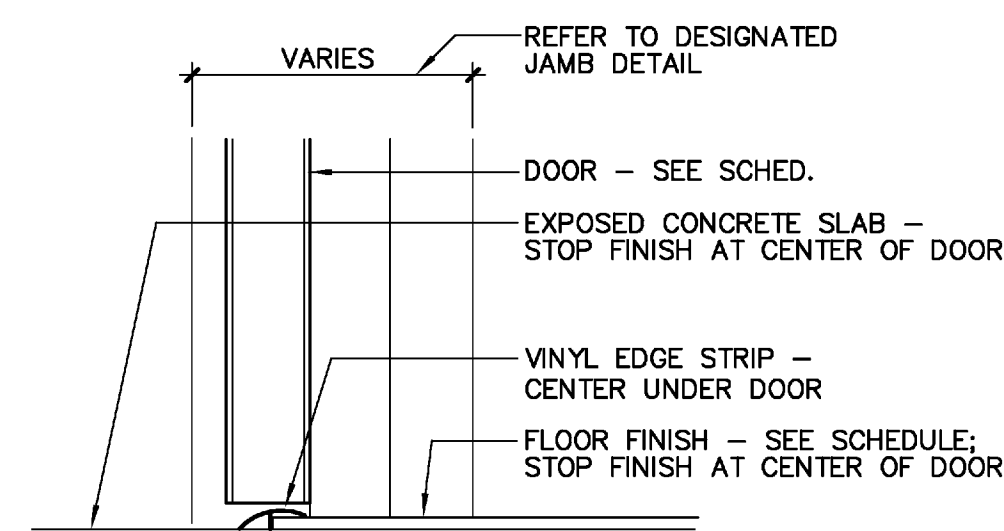
CONTENTS
WINDOW AND DOOR
DETAILS

SHEET NUMBER

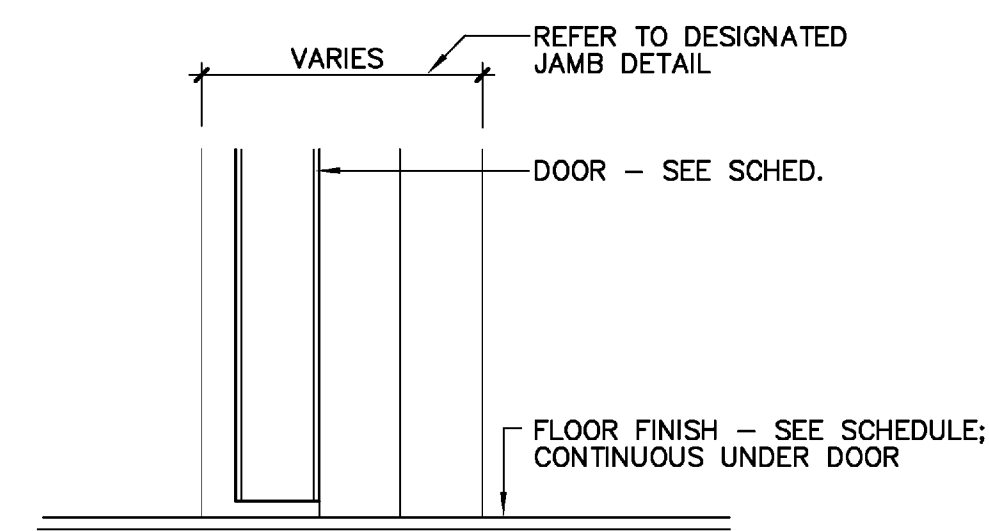
A4.1



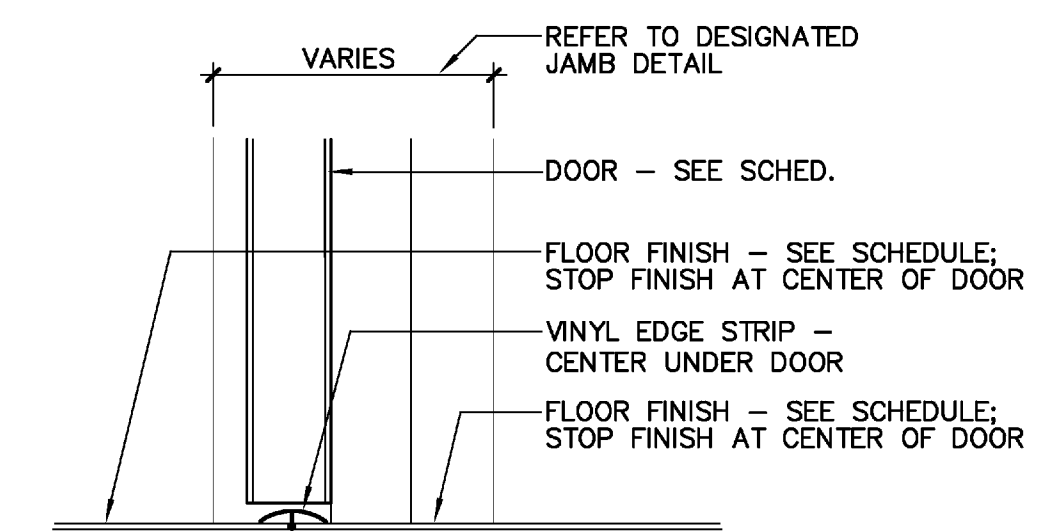
1 HLW MTL DOOR FRAME JAMB DETAIL
SCALE: 3"=1'-0"



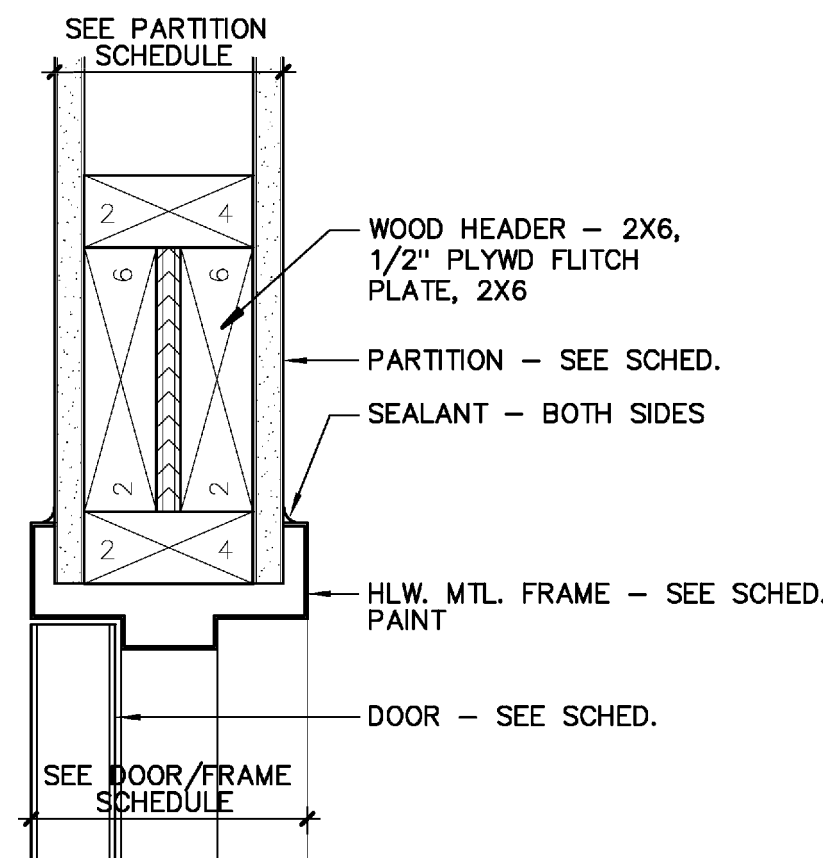
2 INTERIOR THRESHOLD DETAIL
SCALE: 3"=1'-0"



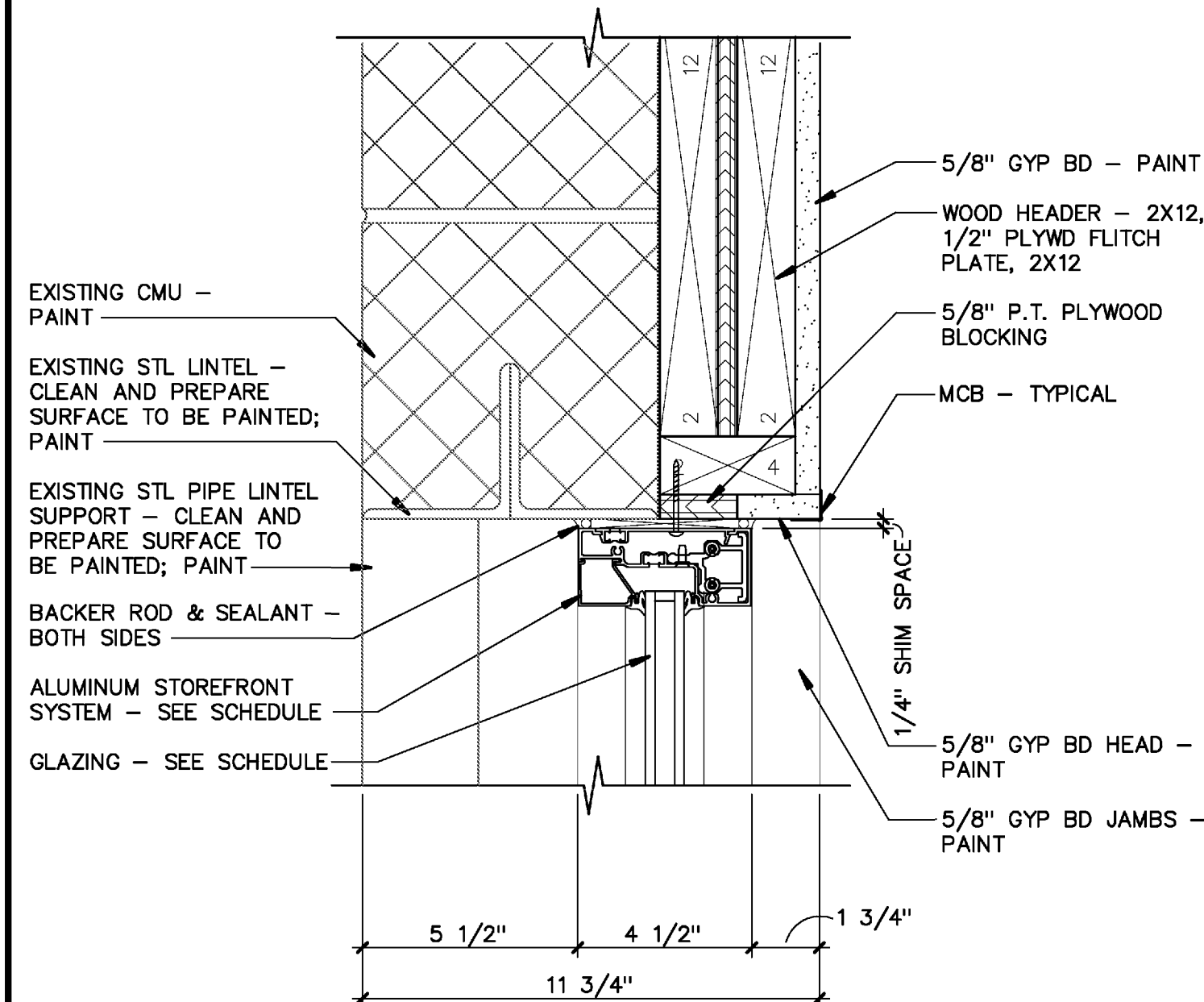
3 INTERIOR THRESHOLD DETAIL
SCALE: 3"=1'-0"



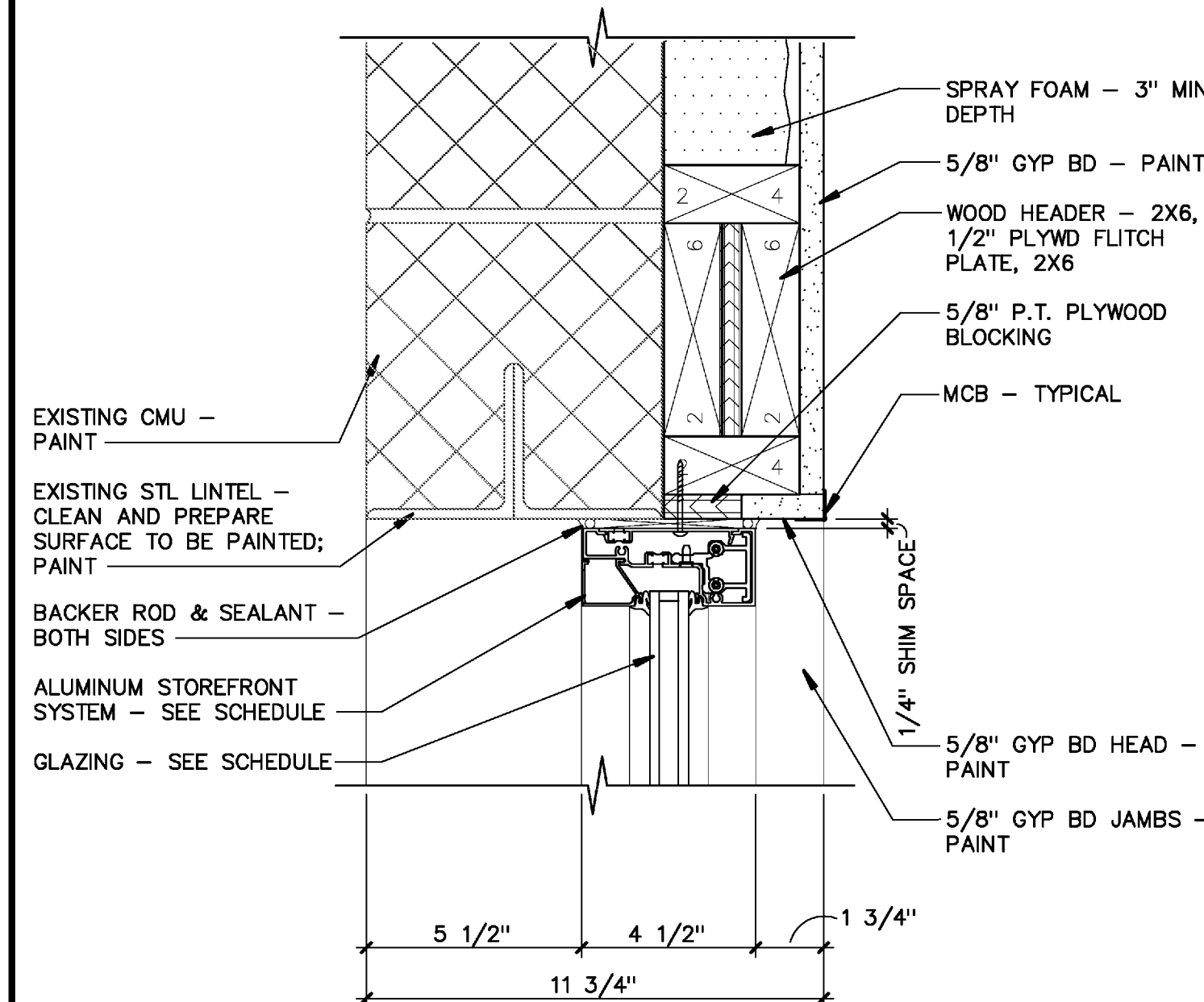
4 INTERIOR THRESHOLD DETAIL
SCALE: 3"=1'-0"



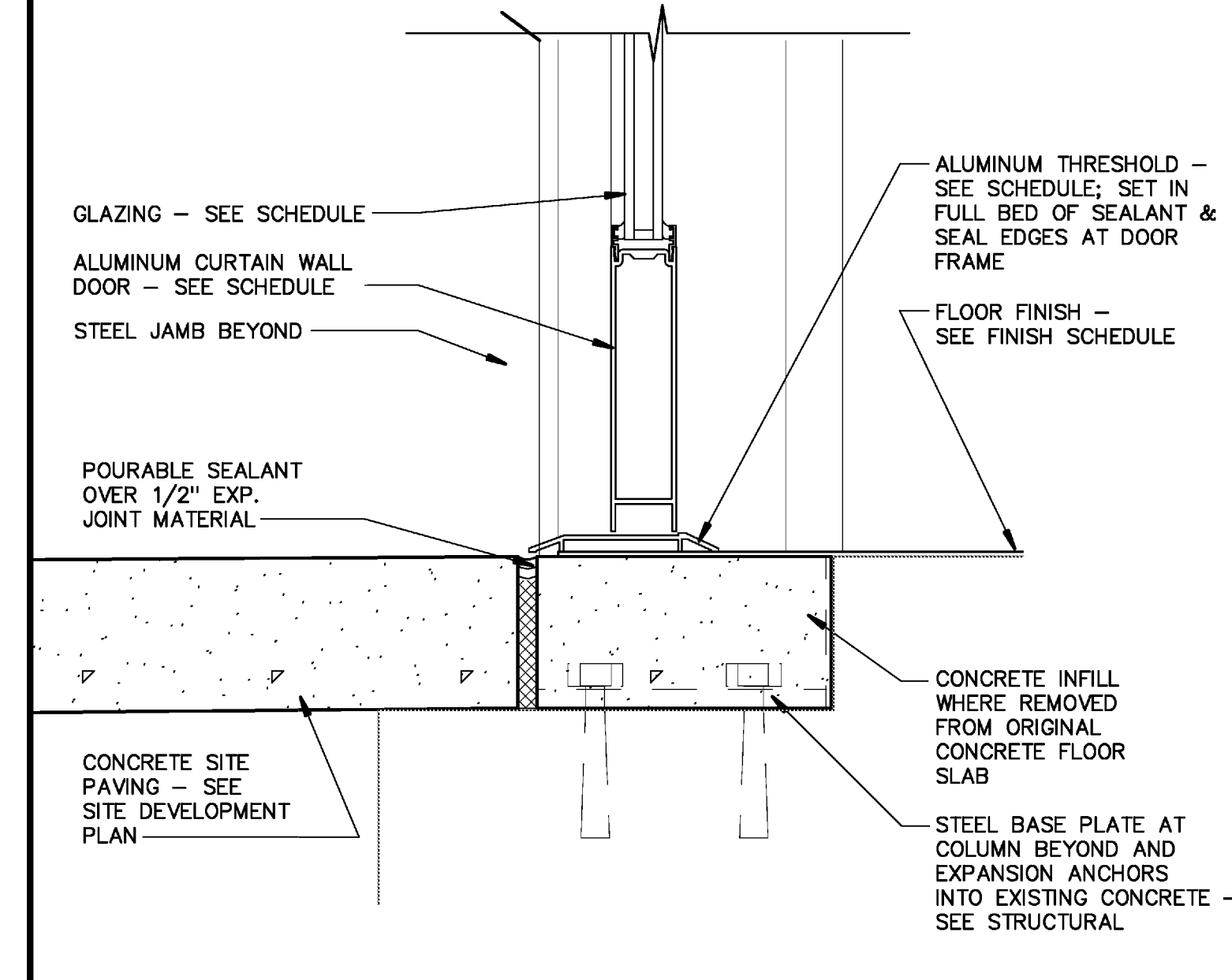
5 HLW MTL DOOR FRAME HEAD DETAIL
SCALE: 3"=1'-0"



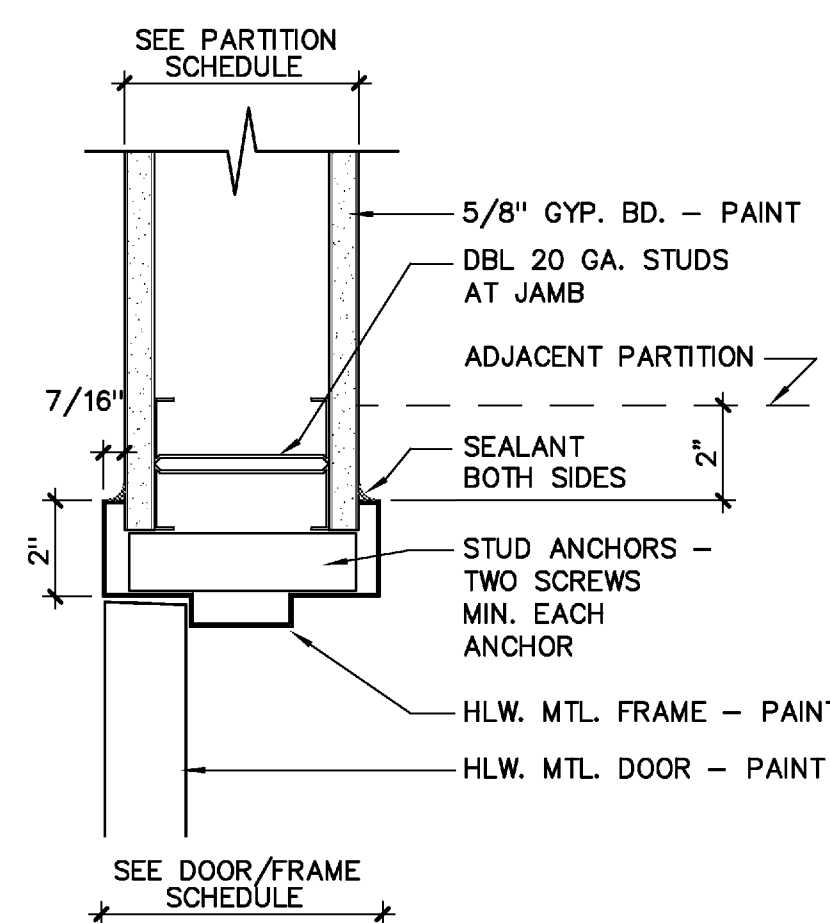
6 WINDOW JAMB/HEAD DETAIL
SCALE: 3"=1'-0"



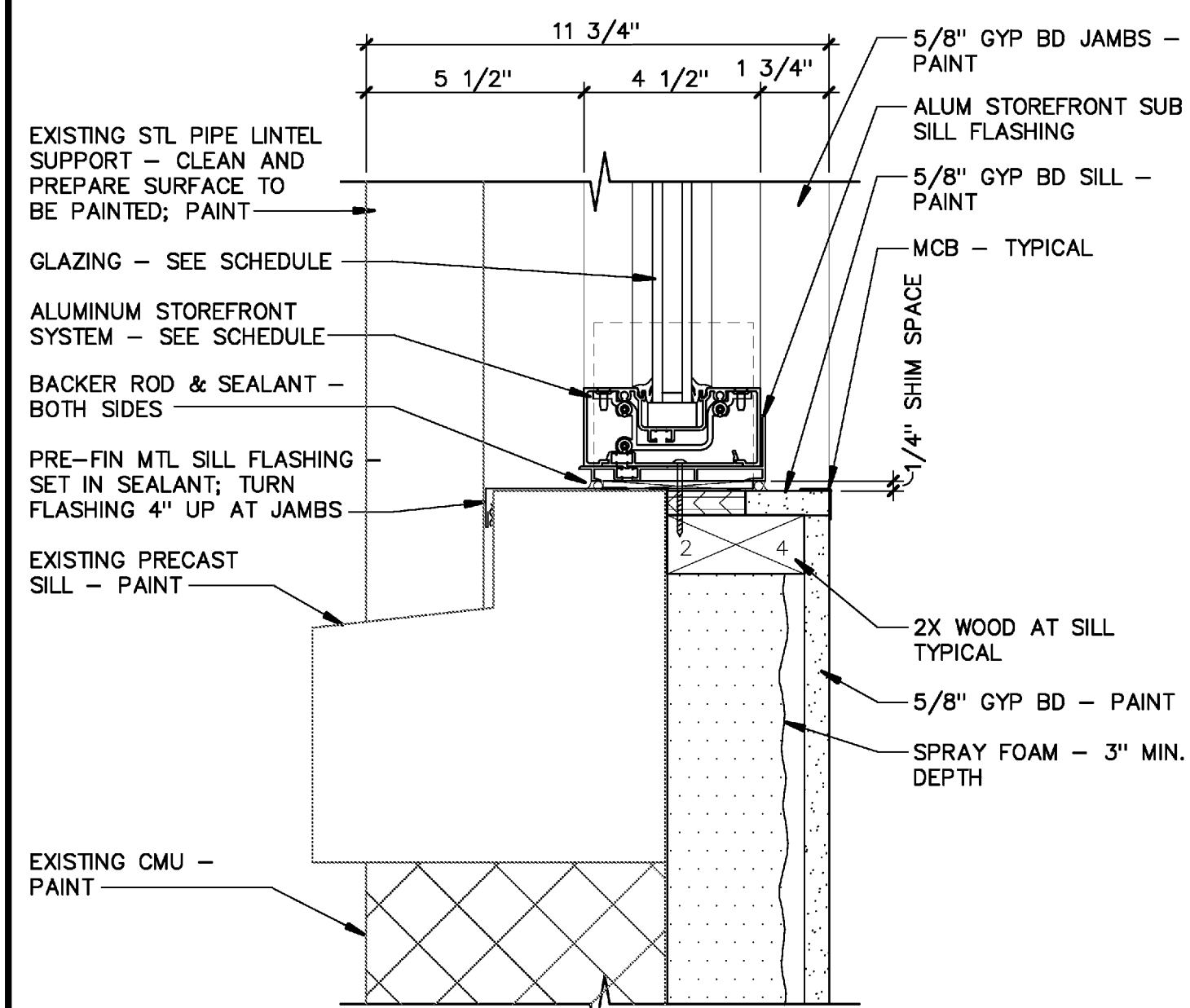
7 WINDOW JAMB/HEAD DETAIL
SCALE: 3"=1'-0"



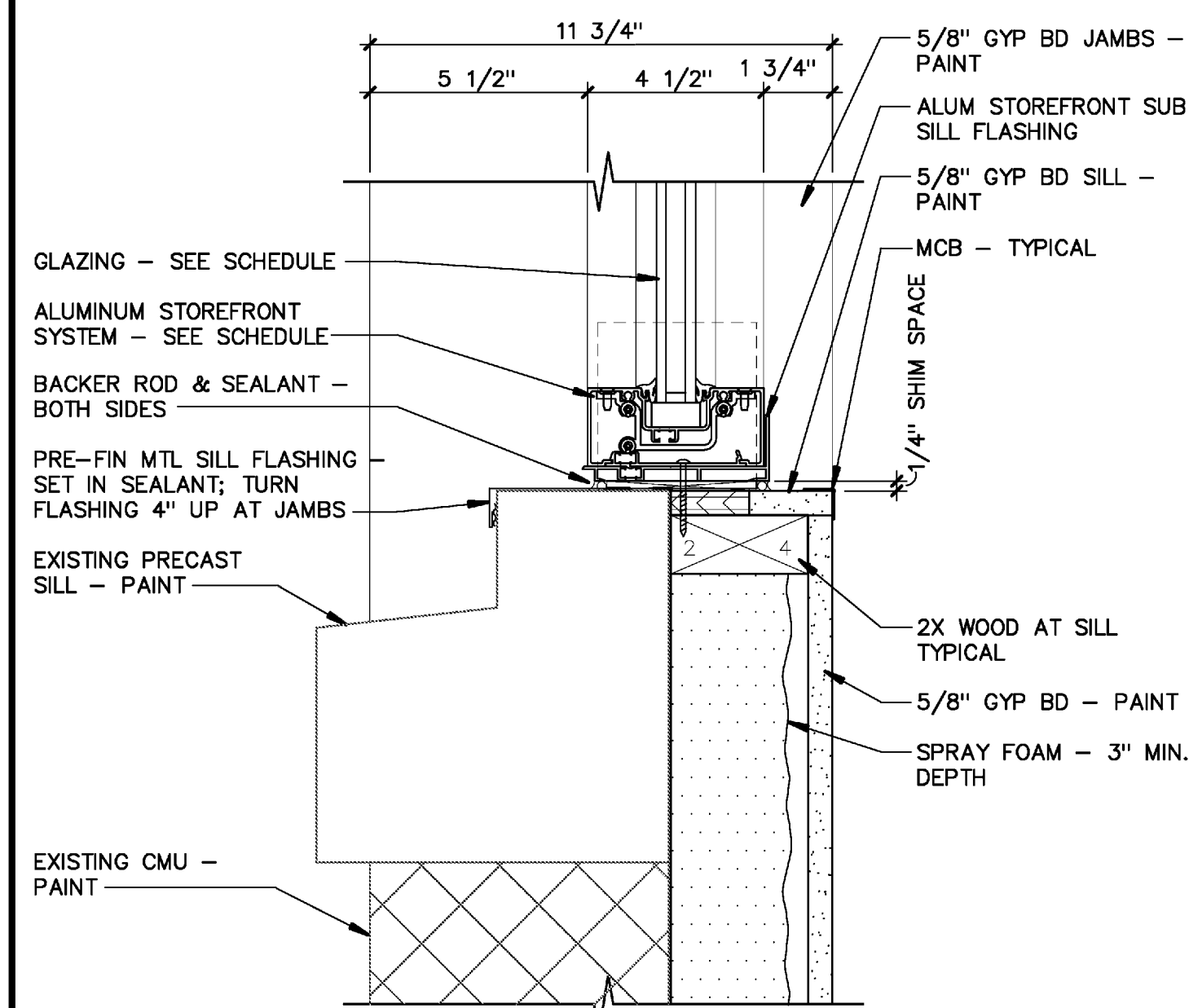
8 EXTERIOR THRESHOLD DETAIL
SCALE: 3"=1'-0"



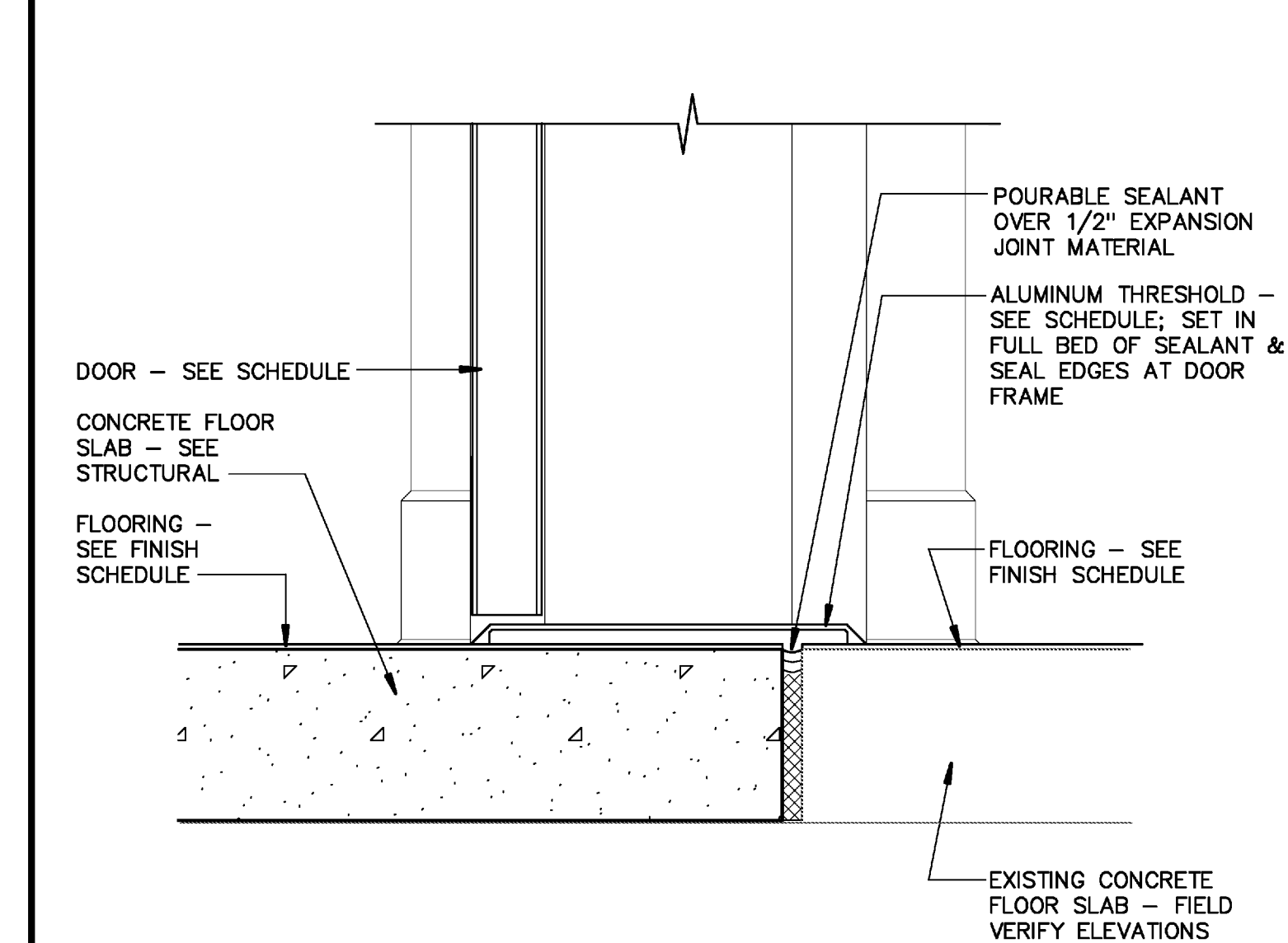
9 HLW MTL DOOR FRAME JAMB DETAIL
SCALE: 3"=1'-0"



10 WINDOW SILL DETAIL
SCALE: 3"=1'-0"



11 WINDOW SILL DETAIL
SCALE: 3"=1'-0"



12 INTERIOR THRESHOLD DETAIL
SCALE: 3"=1'-0"