

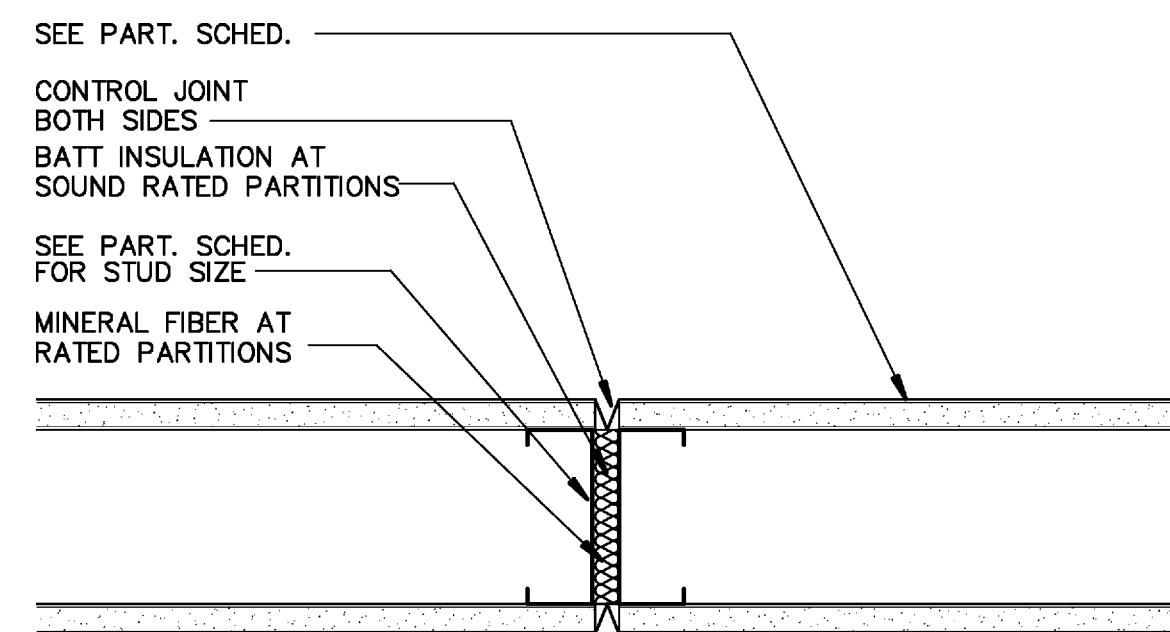
REVISIONS

ISSUE DATE
JULY 1, 2016
PROJECT NO.
0901U

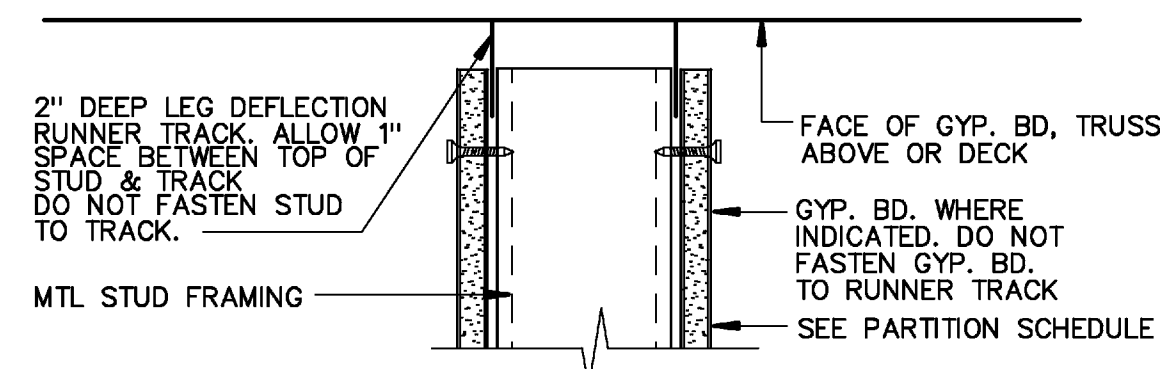
CONTENTS
PARTITION DETAILS

SHEET NUMBER

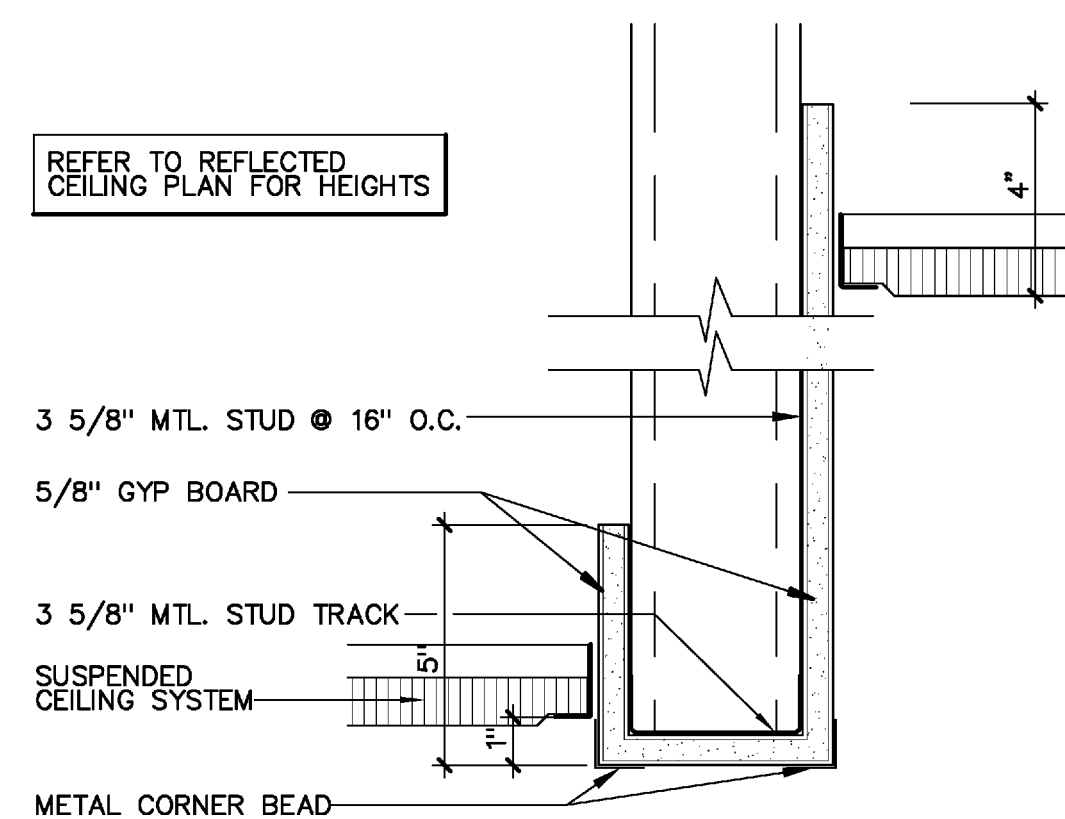
A3.3



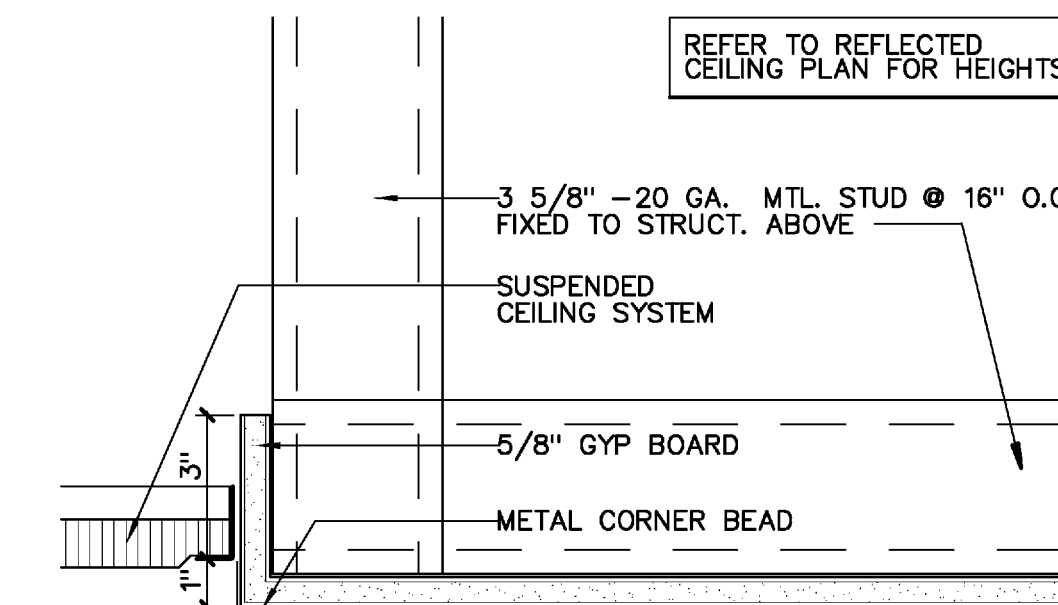
**1 TYP. INTERIOR CONTROL JOINT
RATED AND NON-RATED PARTITIONS**
3" = 1'-0"



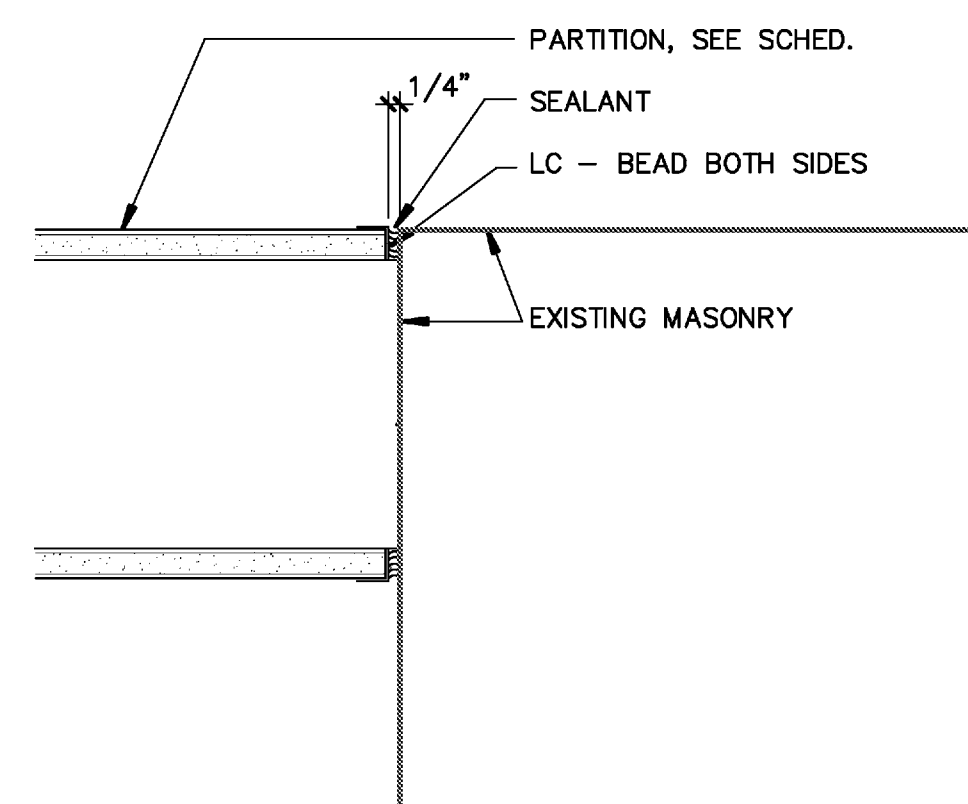
**2 RUNNING TRACK DETAIL
NON-FIRE RATED PARTITIONS**
SCALE 3" = 1'-0"
NOTE: FOR RATED PARTITION NOTES SEE FIRE
STOP ASSEMBLY SHEET G.1.3 FOR ADDITIONAL
NOTES



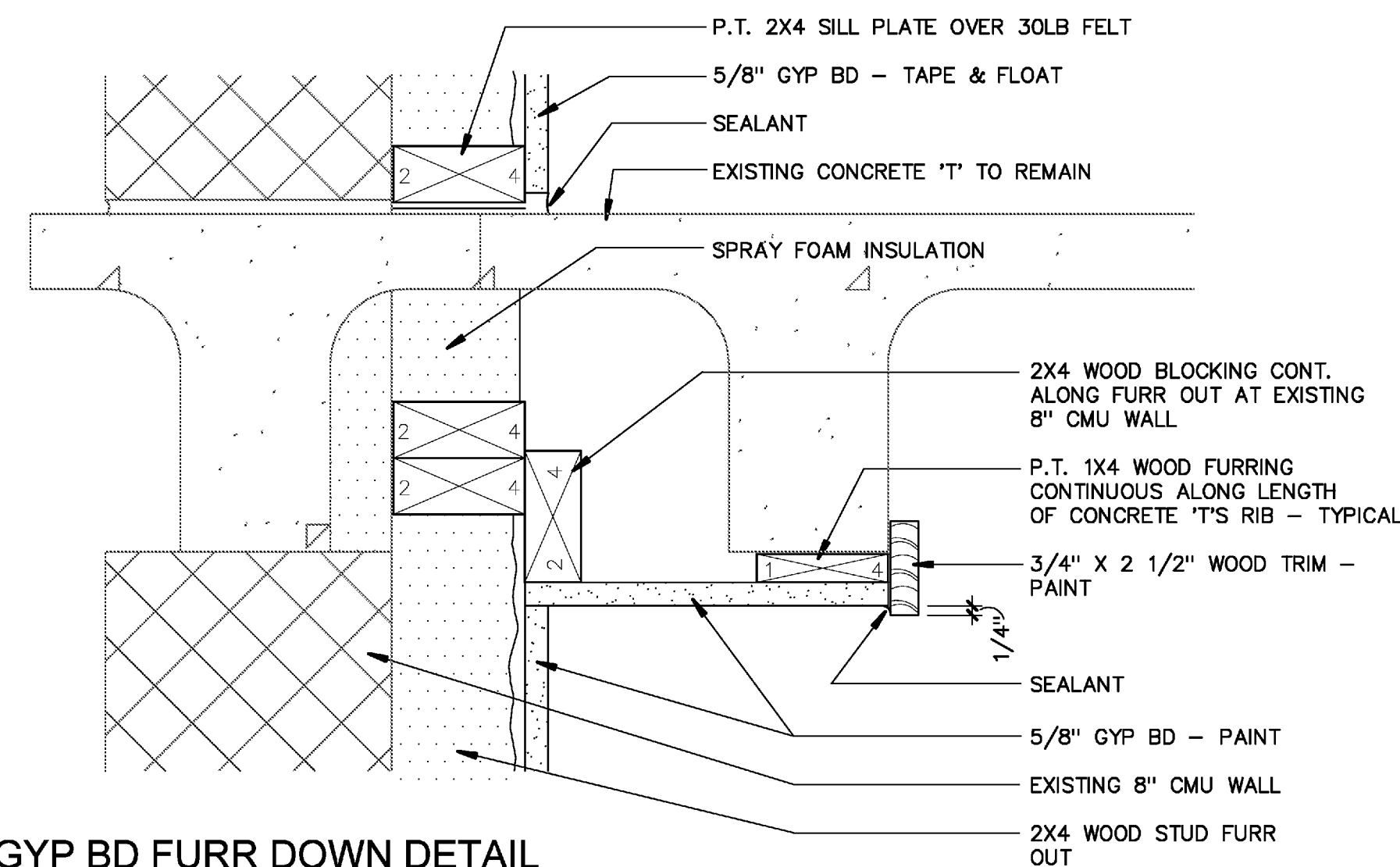
3 LAY-IN CEILING AT FURRDOWN
3" = 1'-0"



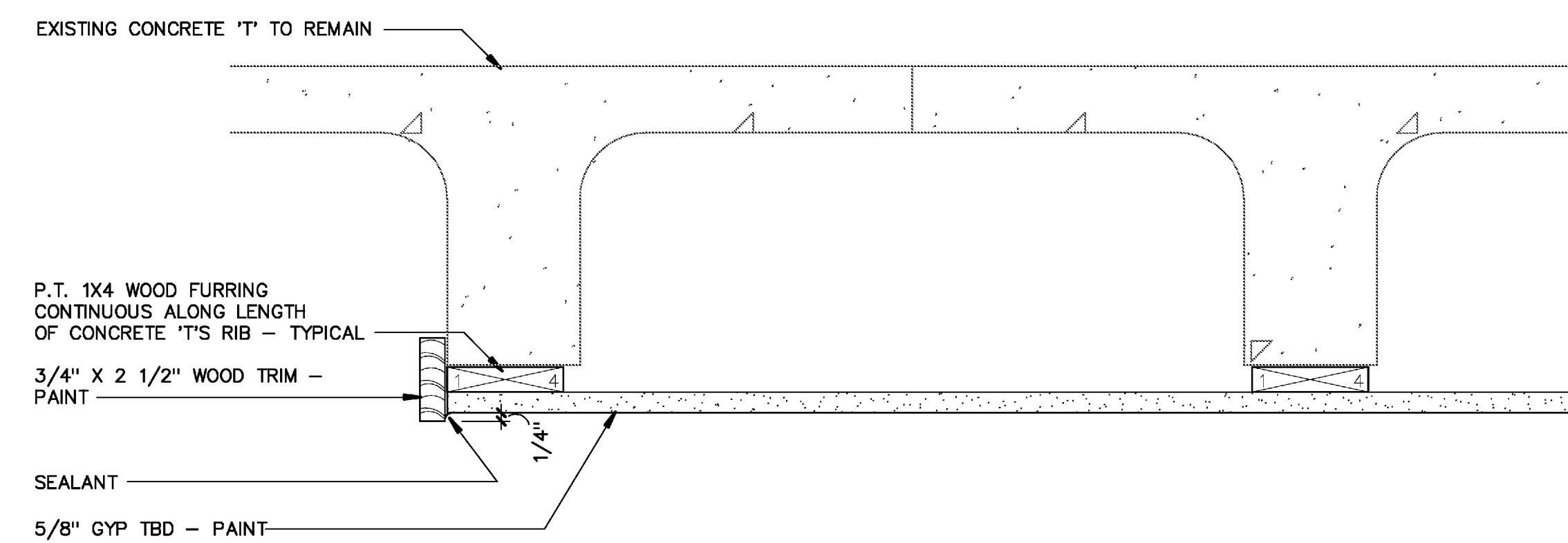
4 LAY-IN CEILING AT FURRDOWN
3" = 1'-0"



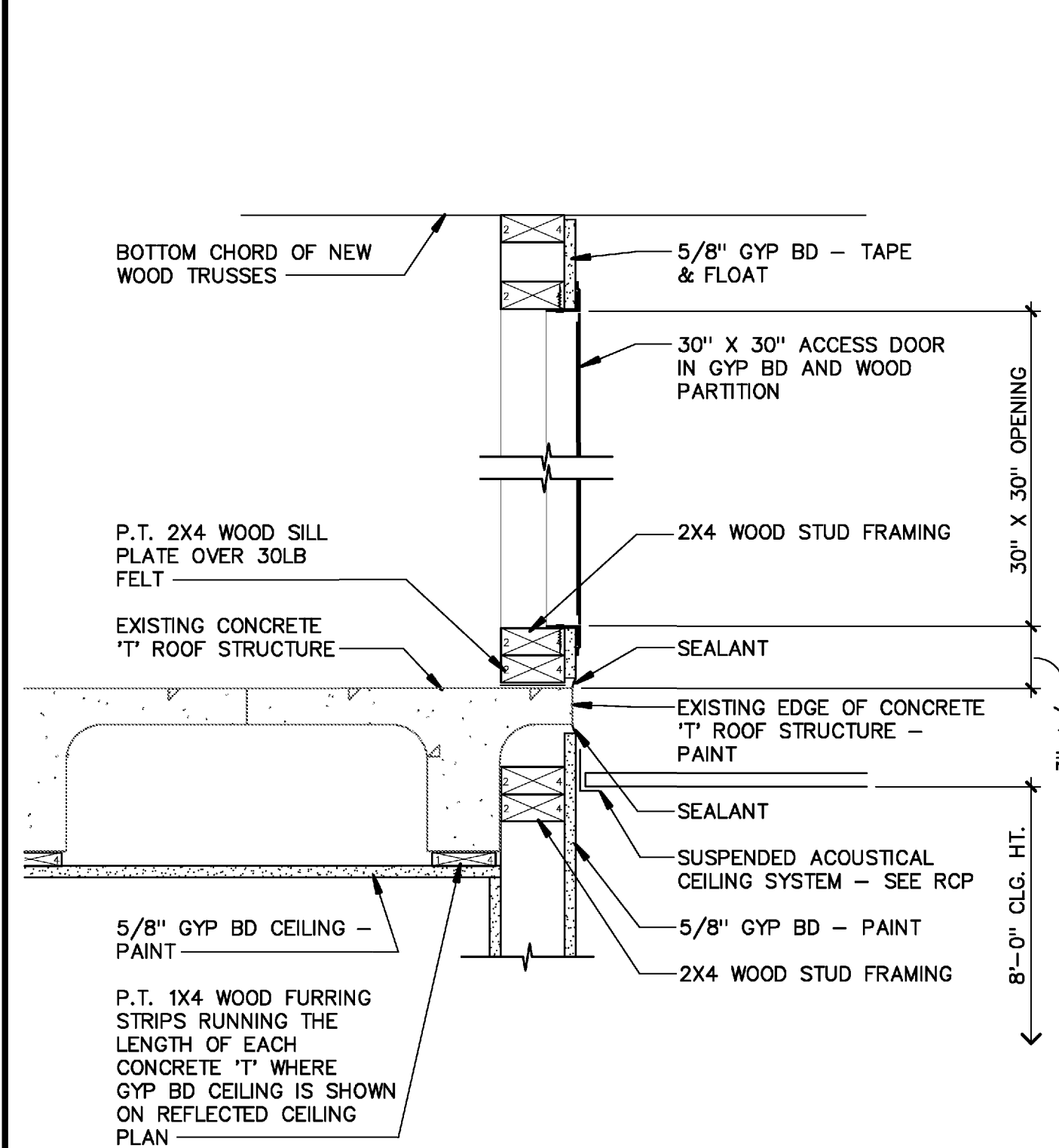
5 NON-RATED PARTITION AT EXIST. MASONRY
3" = 1'-0"
NOTE: FOR RATED PARTITION NOTES SEE FIRE STOP
ASSEMBLY SHEET G.1.3 FOR ADDITIONAL NOTES



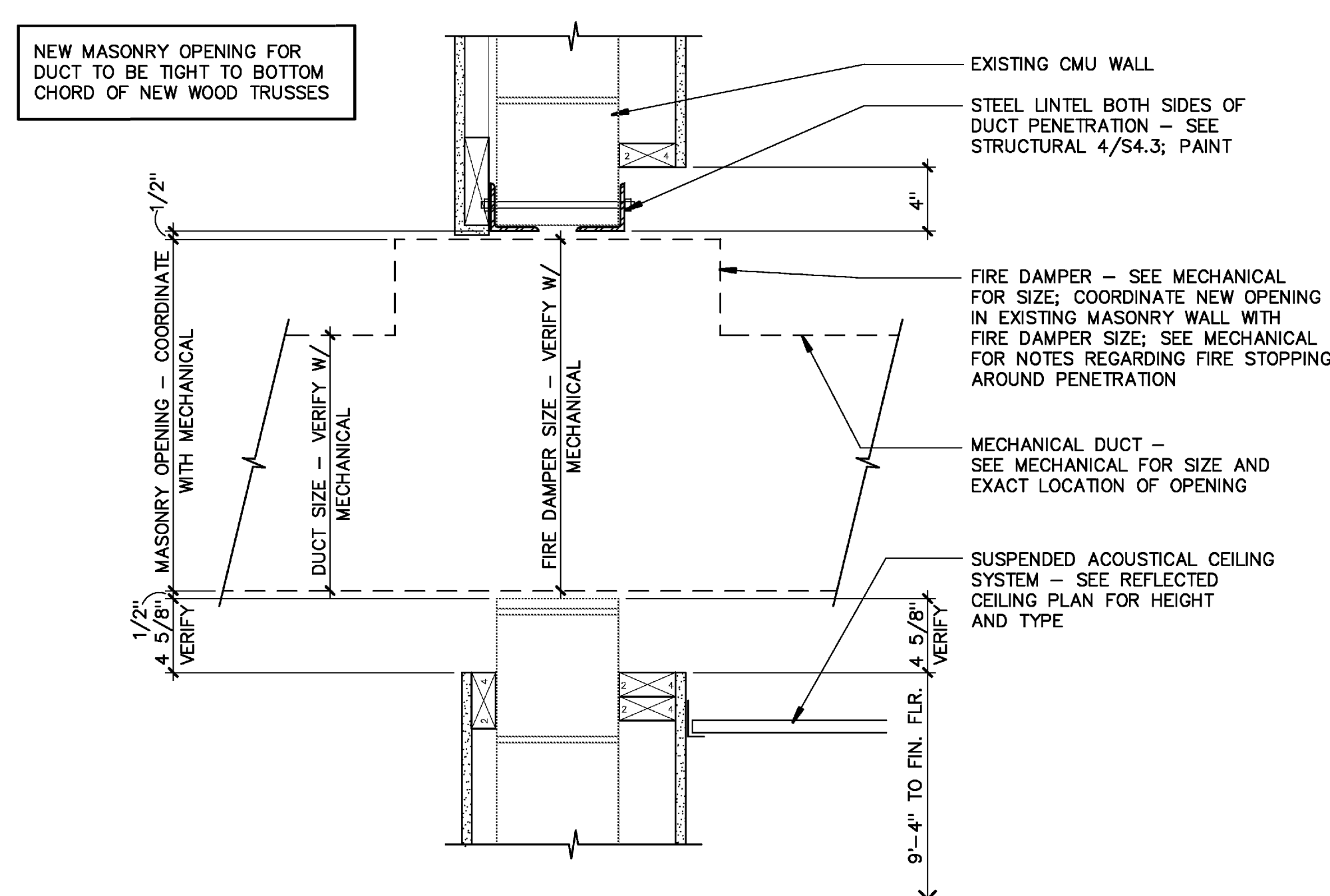
6 GYP BD FURR DOWN DETAIL
3" = 1'-0"



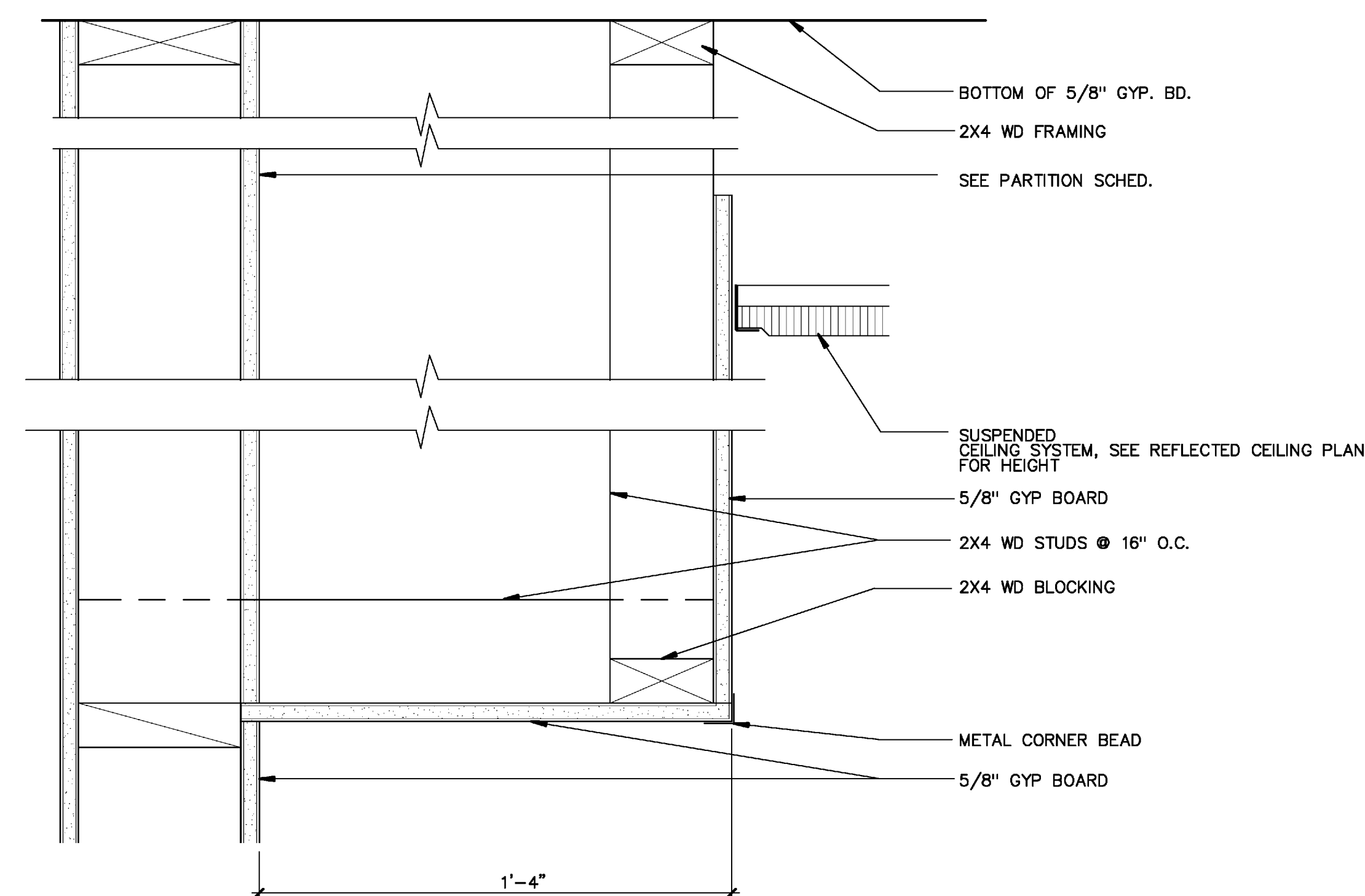
7 GYP BD FURR DOWN DETAIL
3" = 1'-0"



8 ACCESS DOOR DETAIL
1 1/2" = 1'-0"



9 FIRE DAMPER PENETRATION DETAIL
1 1/2" = 1'-0"



10 LAY-IN CEILING AT FURRDOWN
3" = 1'-0"