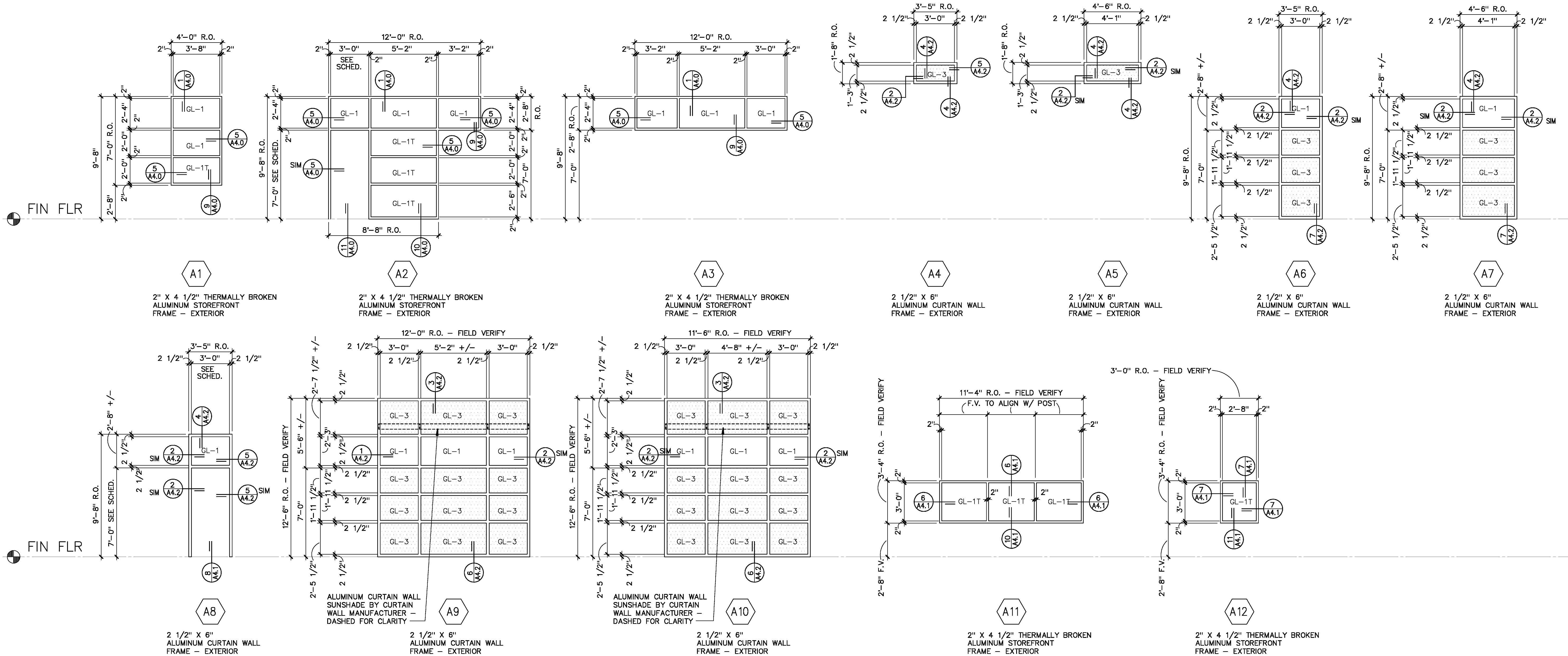
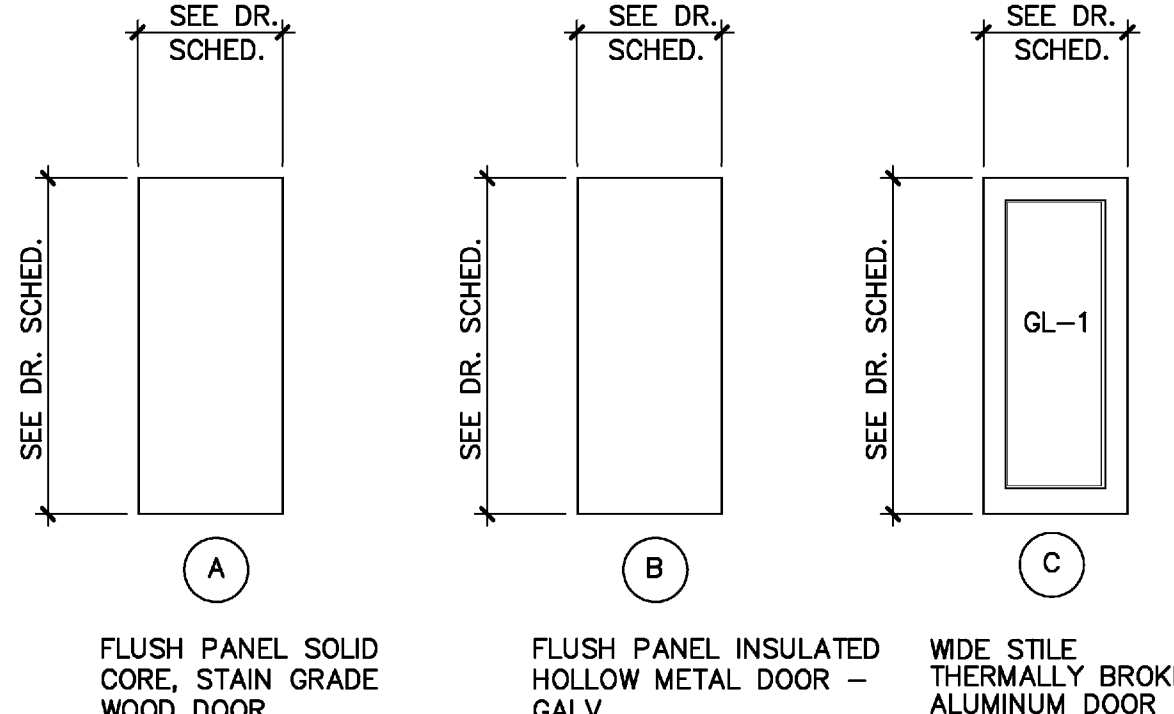


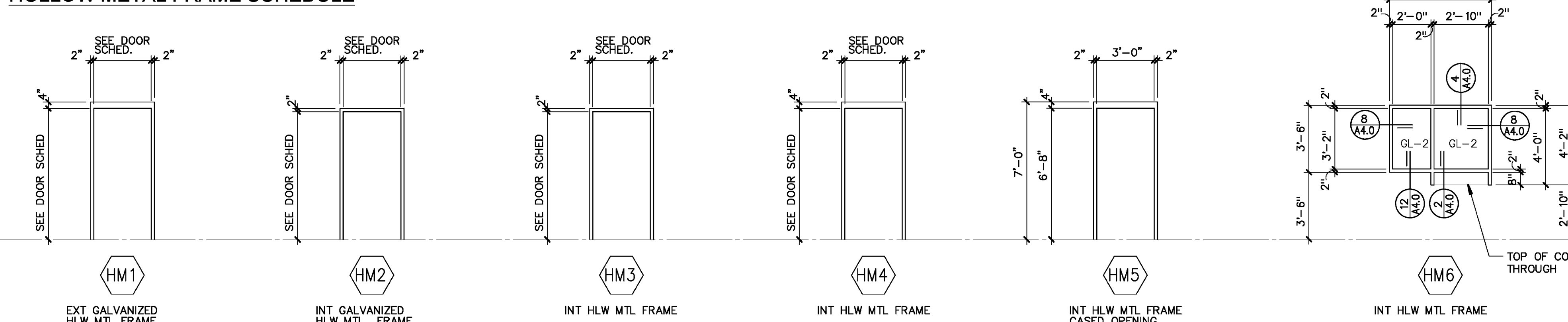
ALUMINUM FRAME SCHEDULE



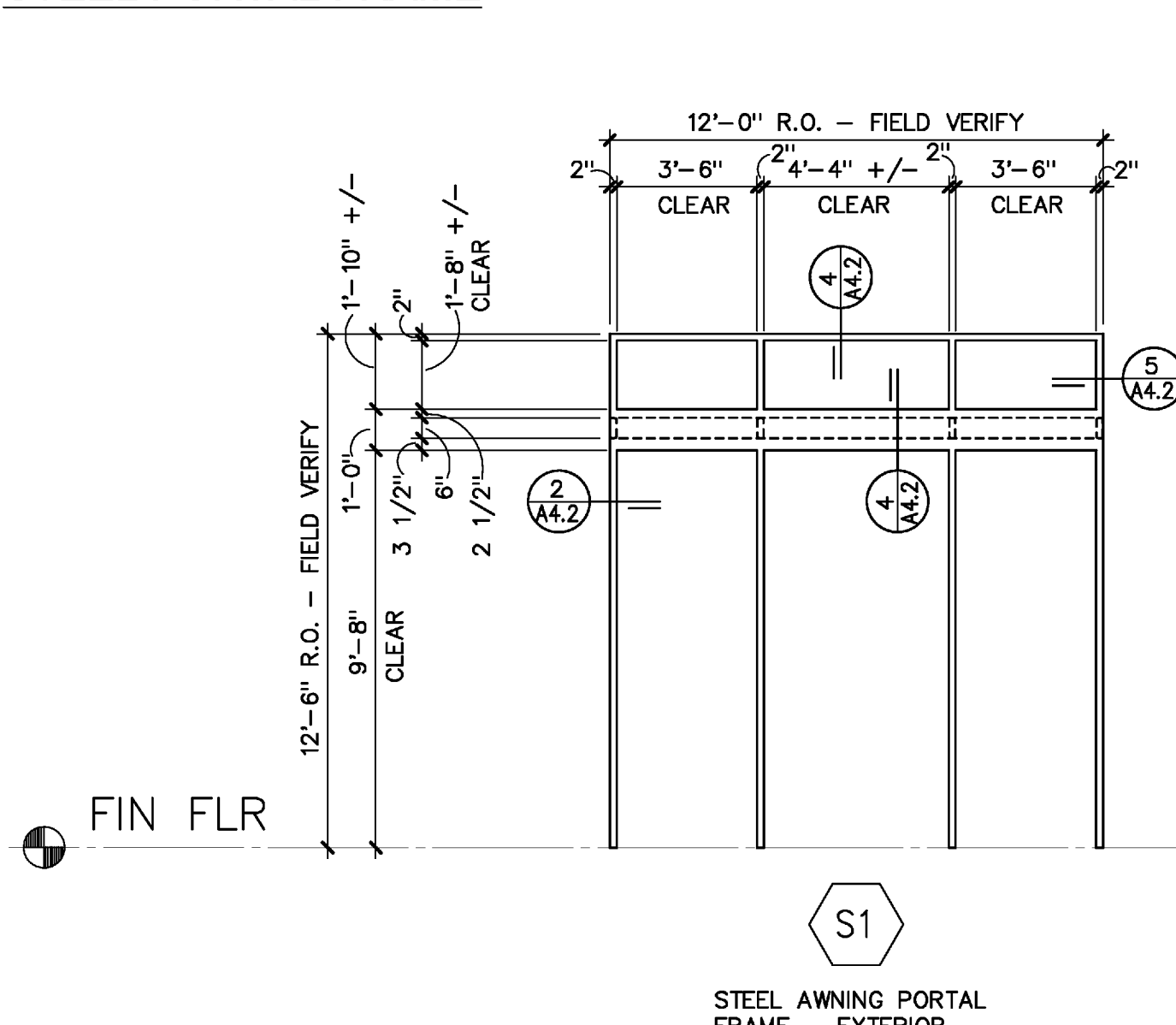
DOOR TYPES



HOLLOW METAL FRAME SCHEDULE

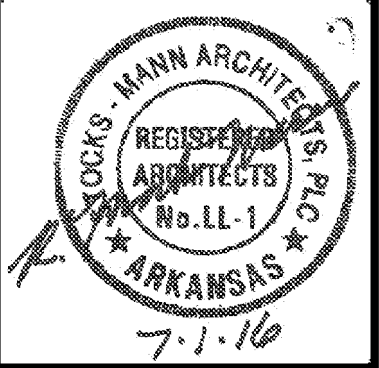


STEEL PORTAL FRAME



GLAZING SCHEDULE

- GL-1: 1" INSULATED GLASS - VISION
1/4" BRONZE TINT (HEAT STRENGTHEN)
WITH LOW-E COATING ON 2ND SURFACE
1/2" AIR SPACE
1/4" CLEAR ANNEALED INBOARD LITE
(1) INDICATES TEMPERED OUTBOARD/INBOARD LITE
- GL-2: 1/4" CLEAR TEMPERED GLASS
- GL-3: METAL CLAD 1" INSULATED PANEL - FINISHED METAL BOTH SIDES
- GL-4: 9/16 LAMINATE GLASS PANEL
1/4" CLEAR HEAT STRENGTHEN GLASS
.060 INNER LAMINATE LAYER - WHITE (80% LIGHT TRANSMITTANCE)
1/4" CLEAR HEAT STRENGTHEN GLASS



**Fire Station Renovation and
Police Station Addition**
Building 7200 - Camp Joseph T. Robinson
North Little Rock, Arkansas

REVISIONS

NO.	DATE	DESCRIPTION

ISSUE DATE
JULY 1, 2016

PROJECT NO.
0901U

CONTENTS
FRAME SCHEDULES

SHEET NUMBER
A3.1