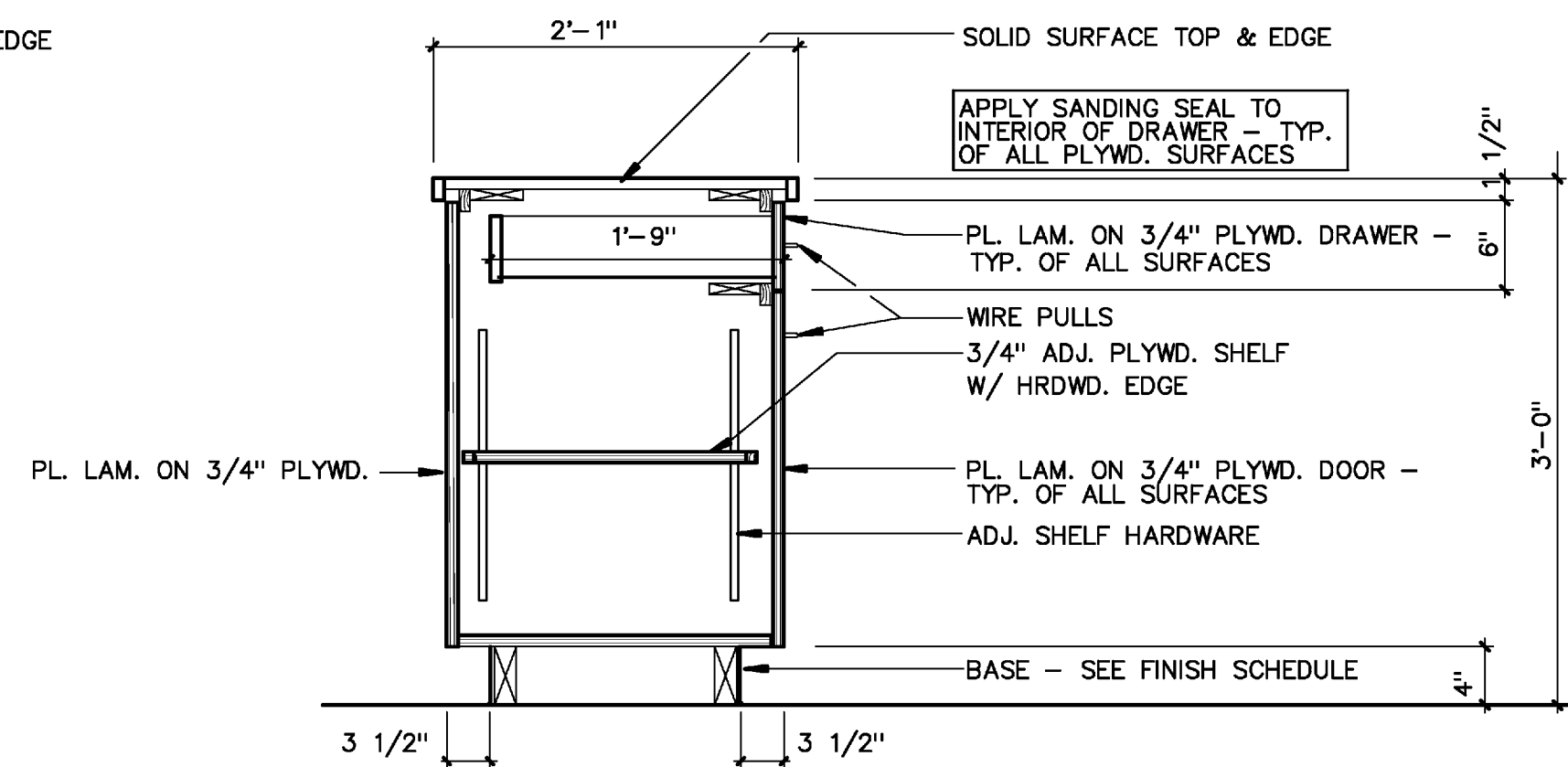
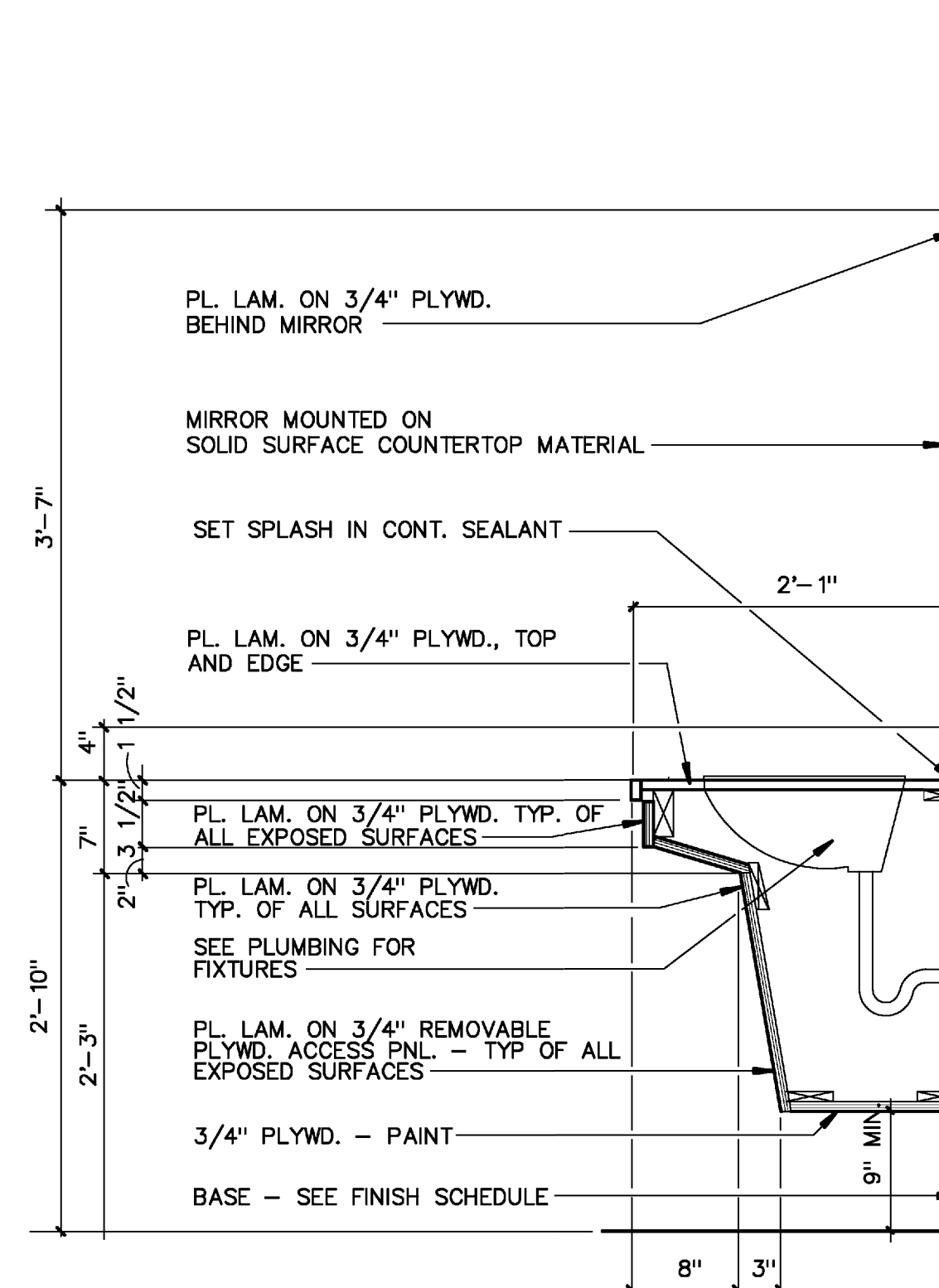


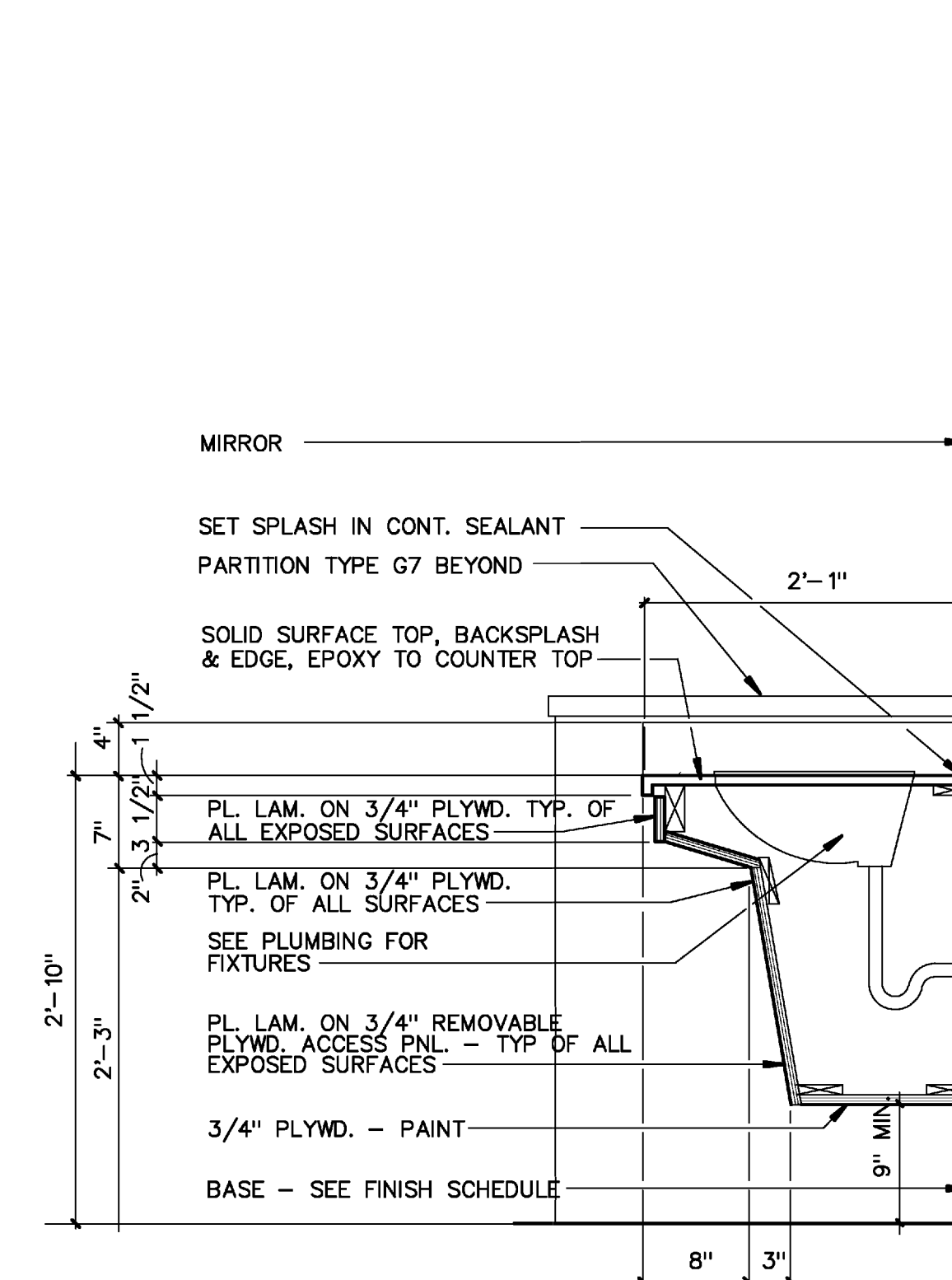
1 SECTION AT RANGE/HOOD
1" = 1'-0"



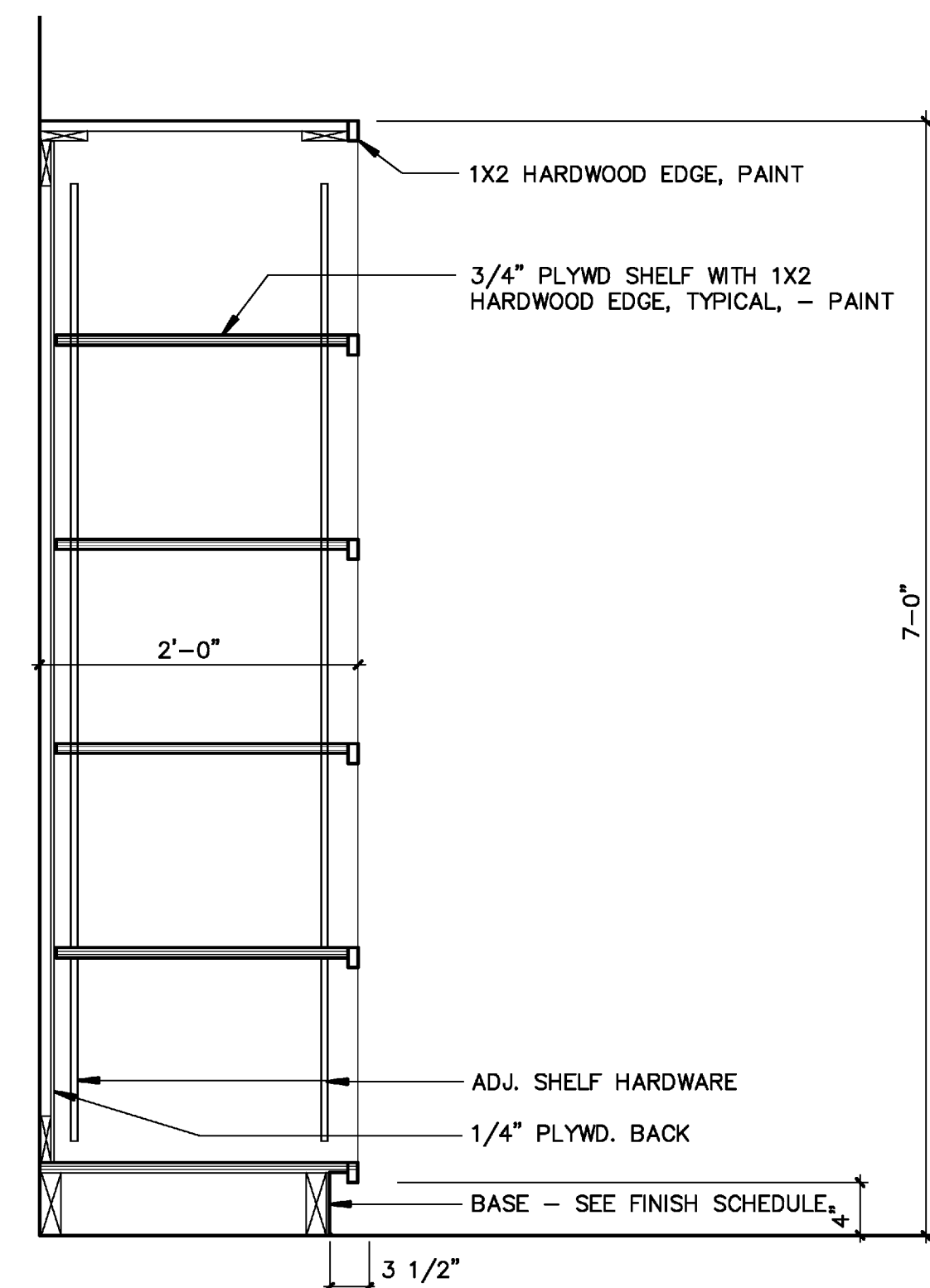
2 COUNTER @ KITCHEN
1" = 1'-0"



3 BASE CAB. @ ADA RESTROOM
1" = 1'-0"



4 BASE CAB. @ LATRINE
1" = 1'-0"



5 SHELVING SECTION
1" = 1'-0"

NOTE: PROVIDE CLEAR SEALANT AT THE JOINT BETWEEN THE COUNTERTOP AND SPLASH, TYPICAL ALL COUNTERTOP SURFACES



REVISIONS

ISSUE DATE
JULY 1, 2016
PROJECT NO.
0801U

CONTENTS
MILLWORK SECTIONS

SHEET NUMBER