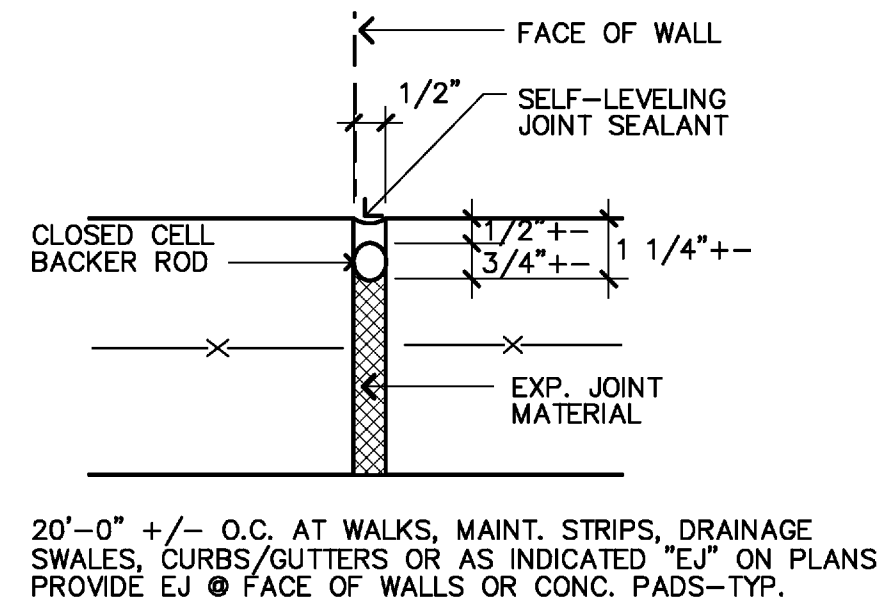
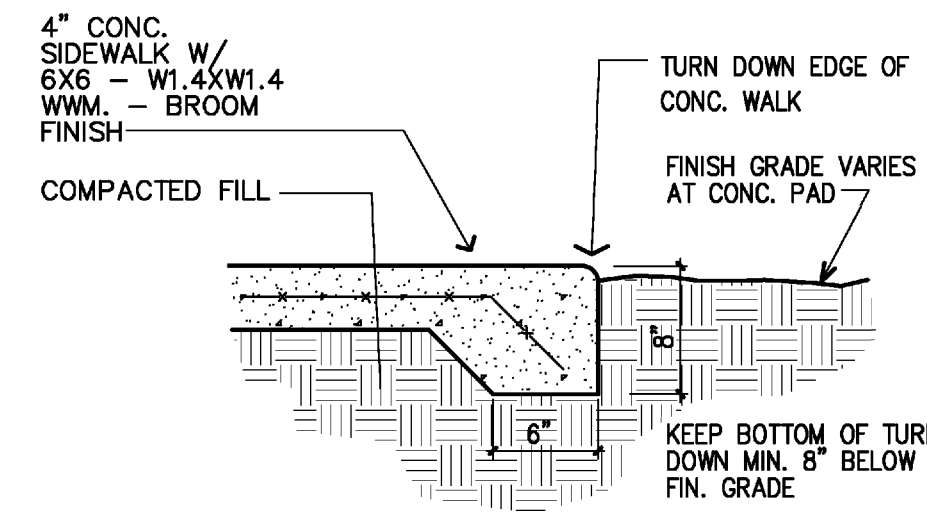


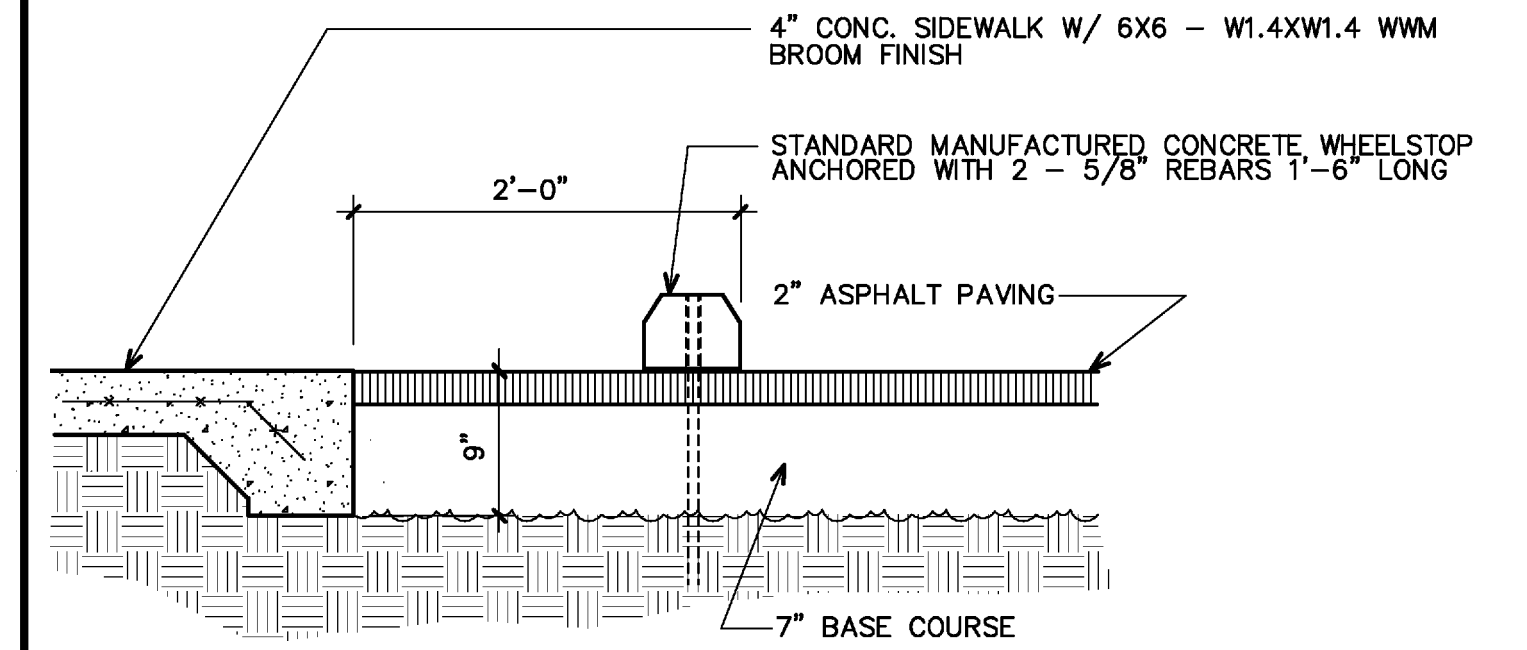
1 CONTROL JOINTS
N.T.S.



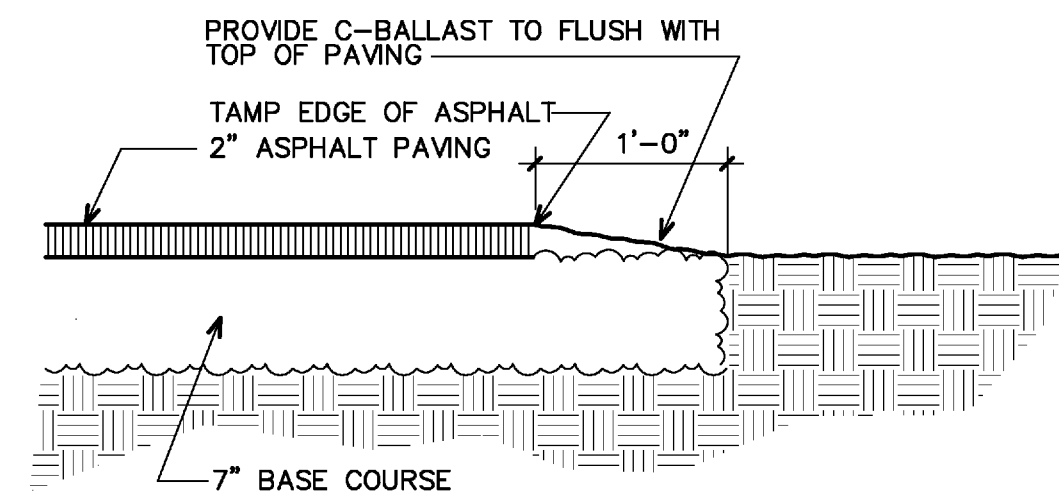
2 EXPANSION JOINTS
N.T.S.



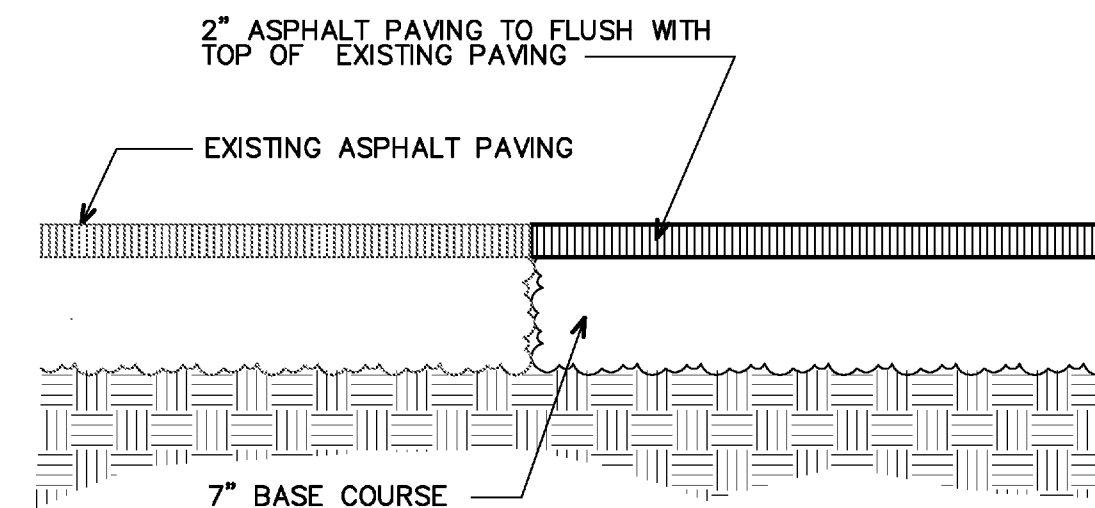
3 SIDEWALK/PAD EDGE DETAIL
1" = 1'-0"



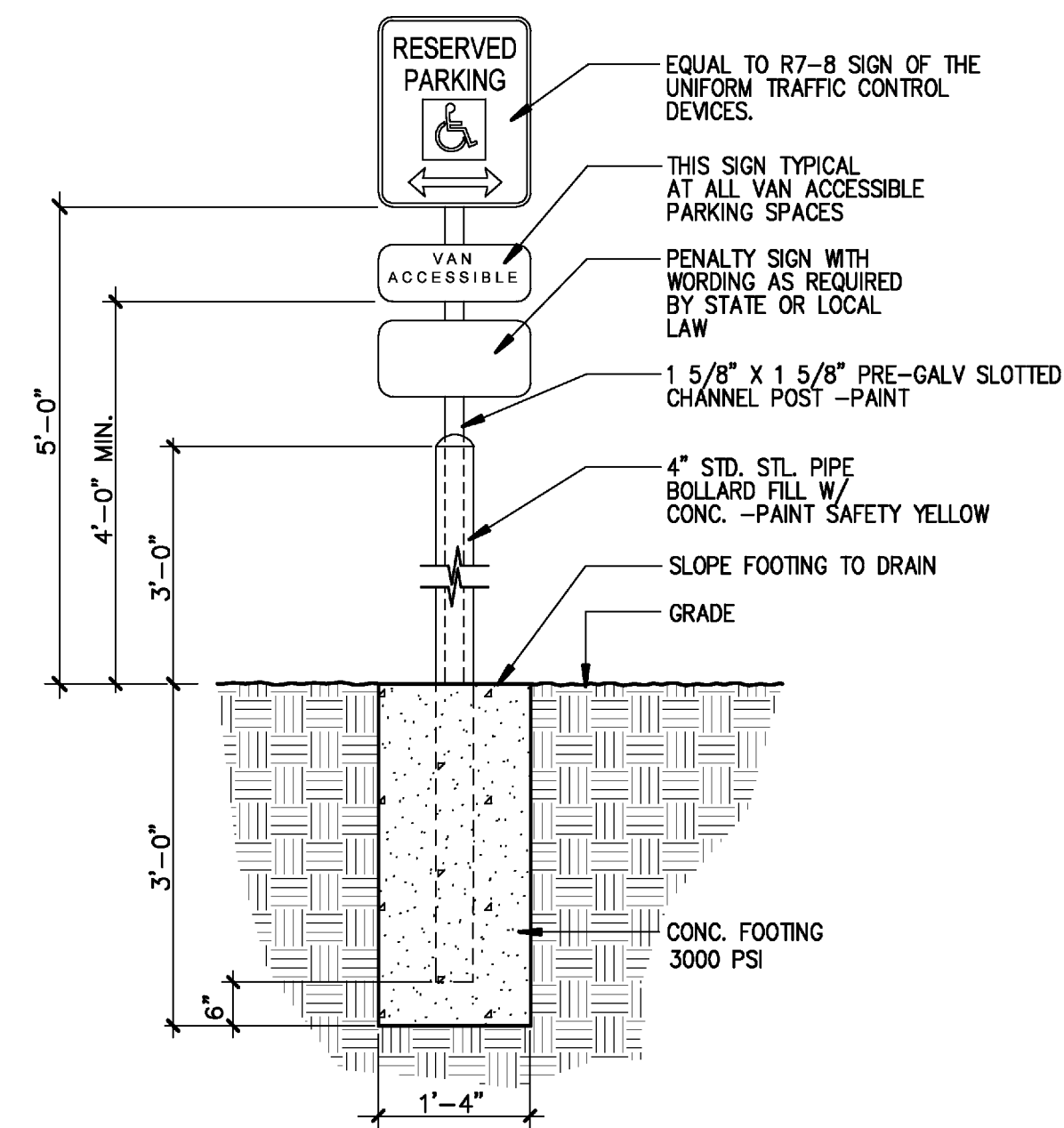
4 SIDEWALK EDGE TO ASPHALT PAVING DETAIL
1" = 1'-0"



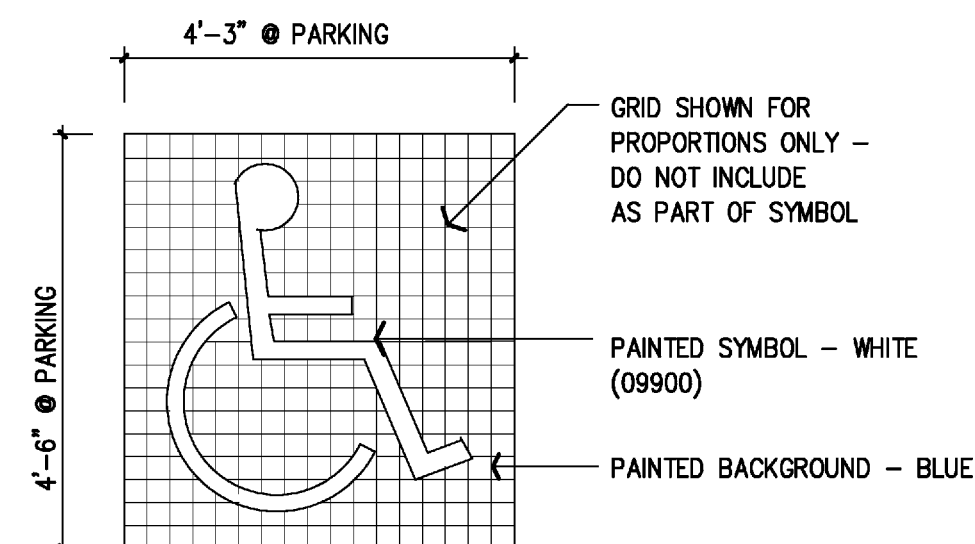
5 ASPHALT PAVING EDGE DETAIL
1" = 1'-0"



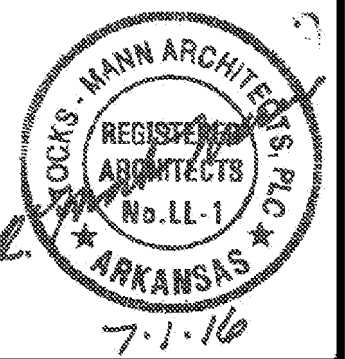
6 ASPHALT PAVING NEW TO EXISTING DETAIL
1" = 1'-0"



9 ACCESSIBLE PARKING SIGN DETAIL
N.T.S.



10 ACCESSIBILITY LOGO
N.T.S.



REVISIONS

ISSUE DATE

JULY 1, 2016

PROJECT NO.

0901U

CONTENTS

SITE DETAILS

SHEET NUMBER

A1.1